



## Beadboard Space-Saving Desk

### Pre-assembly:

\*Please read all instructions before beginning assembly.

\*Two-adult assembly is recommended.

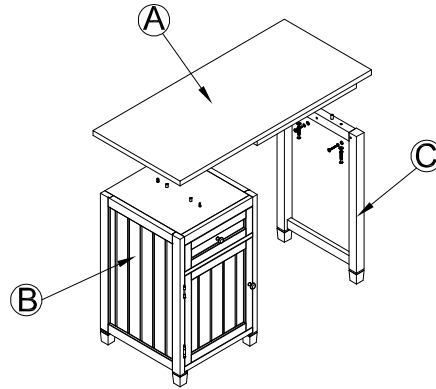
\*Save all packing materials until assembly is complete to avoid accidentally discarding smaller parts or hardware.

### Parts Included:

A – Desk Top – 1 pc

B – Desk Pedestal – 1 pc

C – Desk Leg – 1 pc

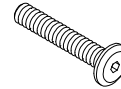
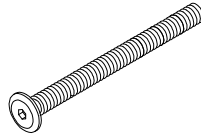
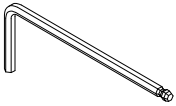


### Hardware Included:

D – Ball tip Allen Key – 1 pc  
(4x95x30mm)

E – Long Hex Bolt – 2 pcs  
(5/16" x 57x13mm)

F – Short Hex Bolt – 5 pcs  
(1/4" x 38 x 13 mm)



G – Big Spring Washer – 2 pcs  
(5/16" x 13 mm)

H – Big Flat Washer – 2 pcs  
(5/16" x 18 mm)

I – Small Spring Washer – 5 pcs  
(1/4" x 11 mm)



J – Small Flat Washer – 5 pc  
(1/4" x 15mm)

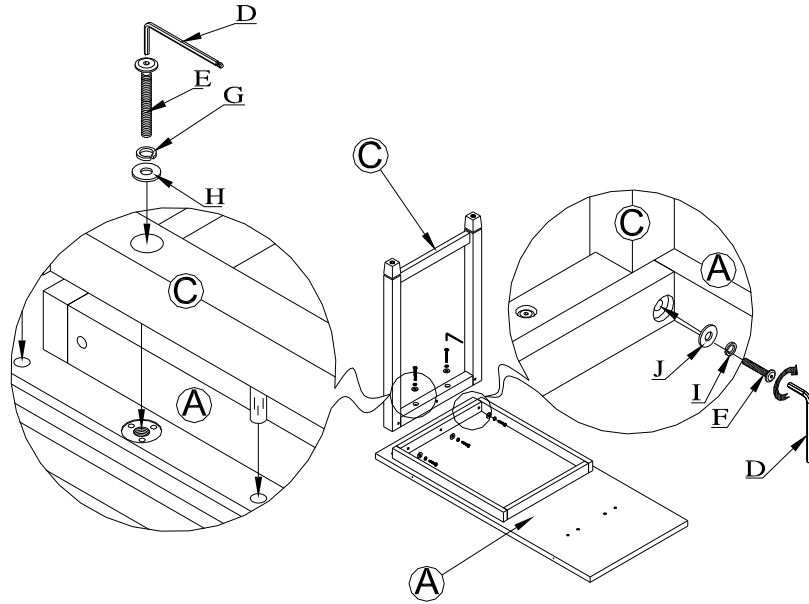


### Tools Required:

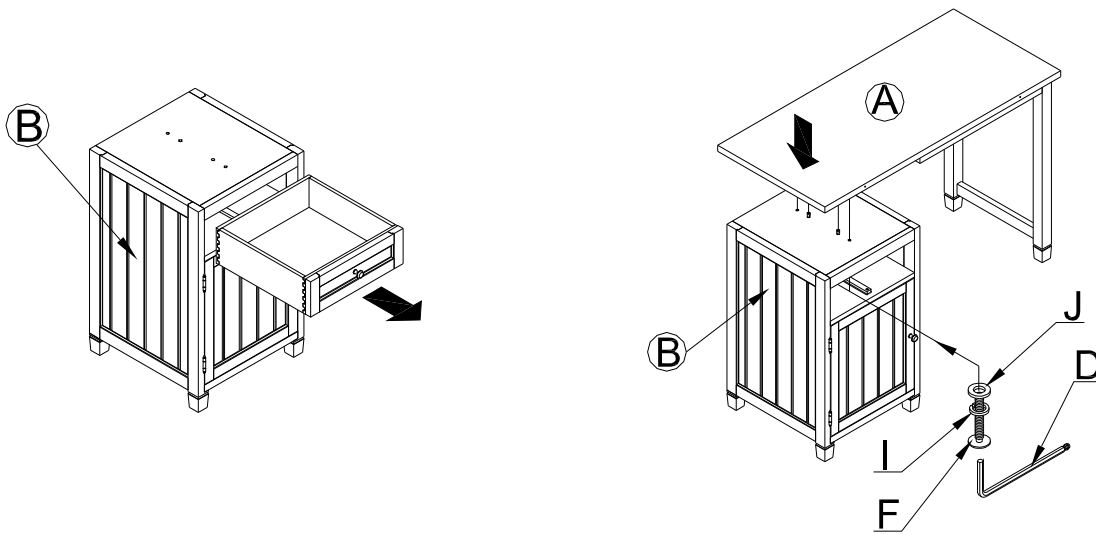
Phillips Head Screwdriver (not included)

### Instruction

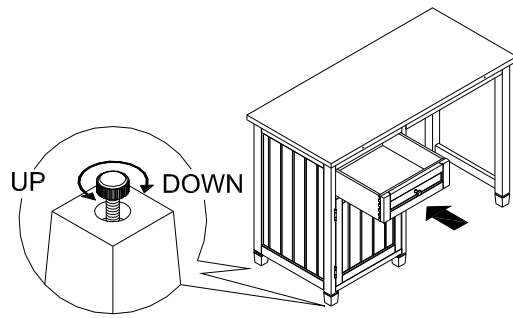
- Carefully lay the Desk Top (A) upside down on a carpet or scratch-free surface. Insert 3 wooden dowels on top of Desk Leg (C) into pre-drilled holes besides under-top-frame of Desk Top (A). Slide a Big Spring Washer (G) and a Big Flat Washer (H) onto a Long Hex Bolt (E). Attach Desk Leg (C) to desk top by inserting the Long Hex Bolt with washers through pre-drilled hole underneath desk leg top stretcher into metal inserts underneath desk top and loosely tighten the bolt as shown below, repeat for another pre-drilled hole on Desk Leg (C). Then slide a small Spring Washer (I) and a small Flat Washer (J) onto a Short Hex Bolt (F). Insert the Short Hex Bolt with Washers through pre-drilled holes in the outer side of under-top-frame into metal inserts in Desk Leg (C) and loosely tighten the bolt as shown below, repeat for the other 2 pre-drilled holes on Desk Top (A). Tighten all bolts with the Allen Key (D) when they are in place.



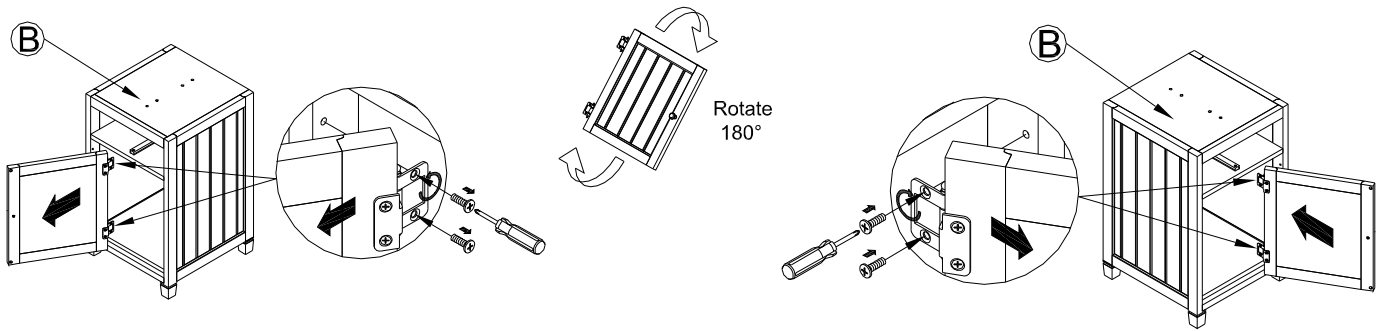
- Pull drawer out from Pedestal (B) as shown. Turn the assembled Desk Top with Leg right side up and place it on top of the Pedestal, make sure the protruding wooden dowels on top of the pedestal aligns with pre-drilled holes underneath desk top. Insert 2 pcs Short Hex Bolt (F) on top of pre-drilled holes in top of the pedestal into metal inserts underneath Desk Top (A), and tighten both bolts with Allen Key (D) as shown below.



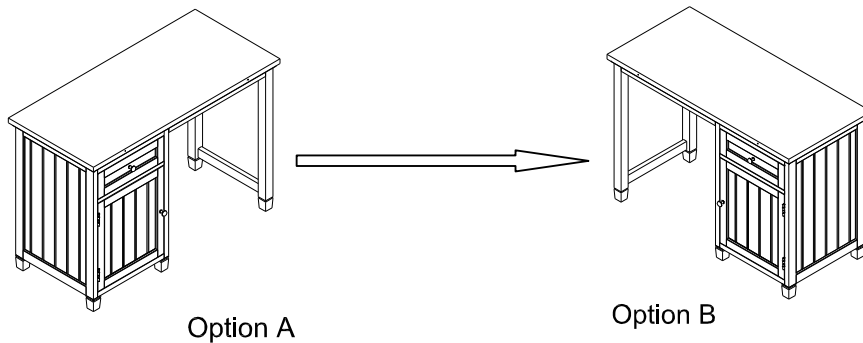
- Insert the drawer back to the Desk. Adjust the recessed levelers located at the base of each leg to keep the Desk level as shown below.



4. The Pedestal can be put on either left or right side of the desk, to change side of the pedestal you need disassemble it from the desk, unscrew door hinges from left side panel of the pedestal with a Philips head screwdriver as shown below and rotate the door 180 degree. Install the door to the right side panel, using metal inserts at inside of front post as guidance.



5. You can then turn the Pedestal 180 degree to assemble it to the desk top per Step 2 above.



**Care Instructions:**

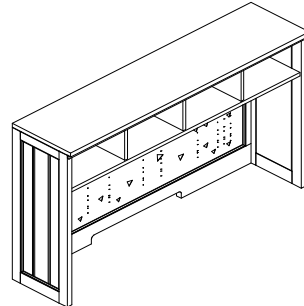
- \*Avoid direct sunlight and excessive temperatures.
- \*Dust often using a clean, soft, dry and lint-free cloth.
- \*Slightly moisten cloth with water. A damp cloth holds dust and prevents scratching.
- \*Waxing is not recommended on lacquered finish.



## Beadboard Space-Saving Desk Hutch

### Pre-assembly:

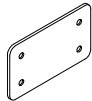
- Please read all instructions before beginning assembly.
- We recommend assembly by two adults.
- Save all packing materials until assembly is complete to avoid accidentally discarding smaller parts or hardware.



### Hardware Included:

A – Mending Plate- 2pcs  
(70x40mm)

B – Phillips Head Screws- 8pcs  
(#6x15mm)

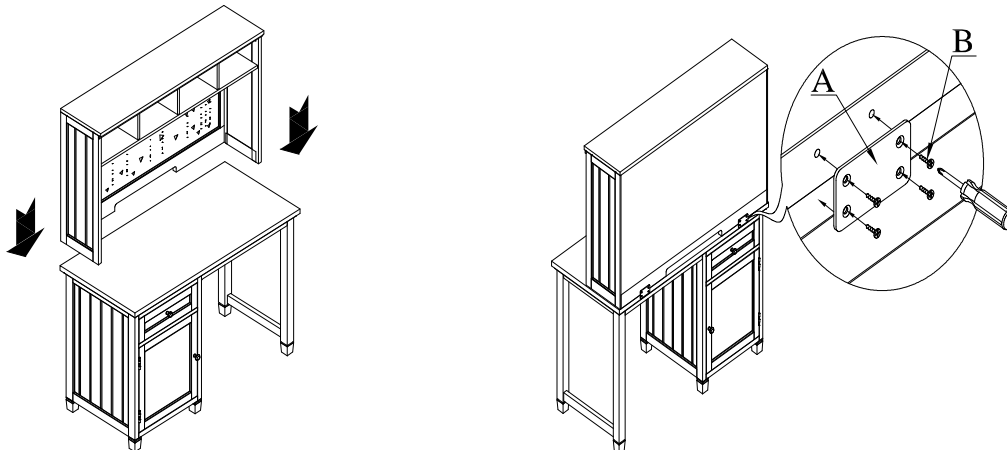


### Tools Required:

Phillips Head Screwdriver(not included). Do not use power drill as it may cause cracking.

### Assembly Instructions:

1. Place Hutch on a Desk (sold separately); align Hutch and Desk center to center, as shown below. Place Mending Plate (A) at the back of Hutch and Desk. Insert Phillips Head Screws (B) through pre-drilled holes in Mending Plate (A) into predrilled holes at the back of the Hutch; screw another 2 Philips Head Screws (B) through pre-drilled holes in Mending Plate (A) into back side of desk top. Loosely tighten all screws with a Phillips Head Screw Driver. Repeat on the other side of Desk for 2<sup>nd</sup> mending plate. Tighten all screws when they are all in place.
2. For setting up the Desk, refer to Desk's Assembly Instruction.
3. Hardware should be checked periodically for tightness.



### Care Instructions:

- Avoid direct sunlight and excessive temperatures.
- Dust often using a clean, soft, dry and lint-free cloth.
- Slightly moisten cloth with water. A damp cloth holds dust and prevents scratching.
- Waxing is not recommended on lacquered finish.