



Beadboard Curved Twin & Full Size

PRE- ASSEMBLY:

- Remove all parts and hardware from the box, and lay them out on a carpeted or scratch-free work surface. The shipping box provides an ideal work surface, as this will avoid damaging any parts during assembly. To avoid accidentally discarding small parts or hardware, do not dispose of any contents until assembly is completed.
- Two people are recommended for ease of assembly.
- Prior to starting assembly, use the parts and hardware lists to identify and separate each of the pieces included.
- The illustrations provided allow for easier assembly when used in conjunction with the assembly instructions.
- Note: Do not fully tighten all bolts until all parts are in place. Failure to follow these instructions may cause the bolts to misalign during assembly.
- Please use caution, If using power tools to aid in assembly. Power tools can damage hardware of split wood.

Parts Included:

A – Headboard (x1)

B – Headboard Connected Rail (x1)

C – Left Headboard Post (x1)

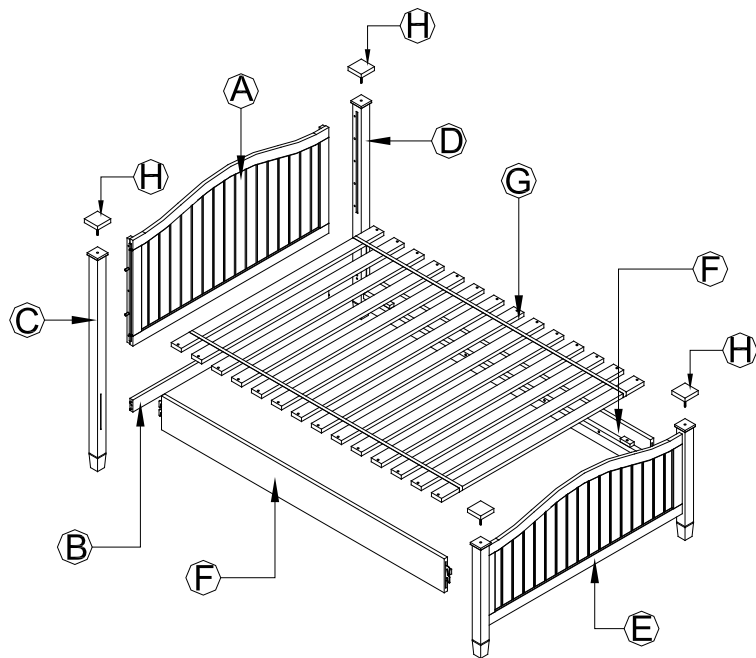
D –Right Headboard Post (x1)

E –Footboard (x1)

F –Side Rail (x2)

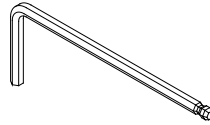
G –Slat (x1)

H – Post Cap (x4)

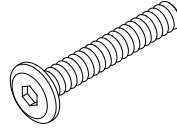


Hardware Included:

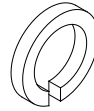
I –Allen Key 4 x 95 x 30mm (x1)



J –Hex Bolt 1/4" x 38 x 13mm (x8)



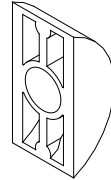
K –Spring Washer 1/4"x10x1.5mm (x8)



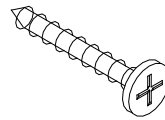
L –Flat washer 1/4"x12 x1.5mm (x8)



M –Half moon washer 1/4"x 24 x8mm (x2)

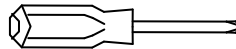


N –Phillips Head Screw 8x30mm (x28)



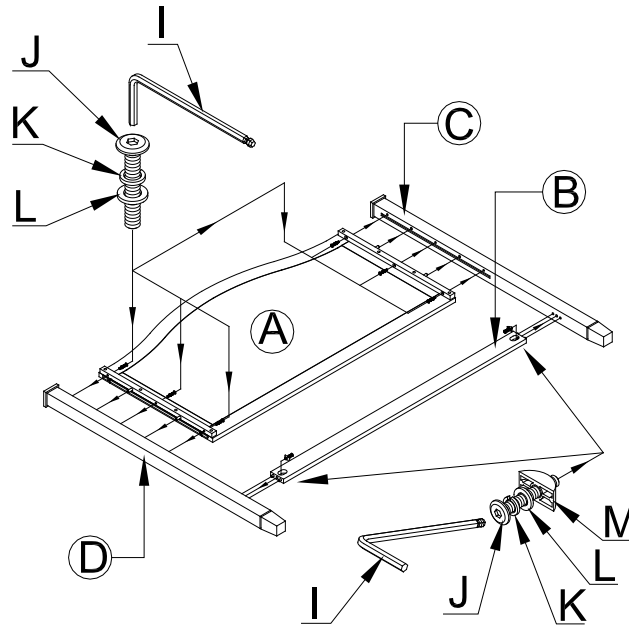
Tool Required:

Phillips Head Screwdriver (not included)

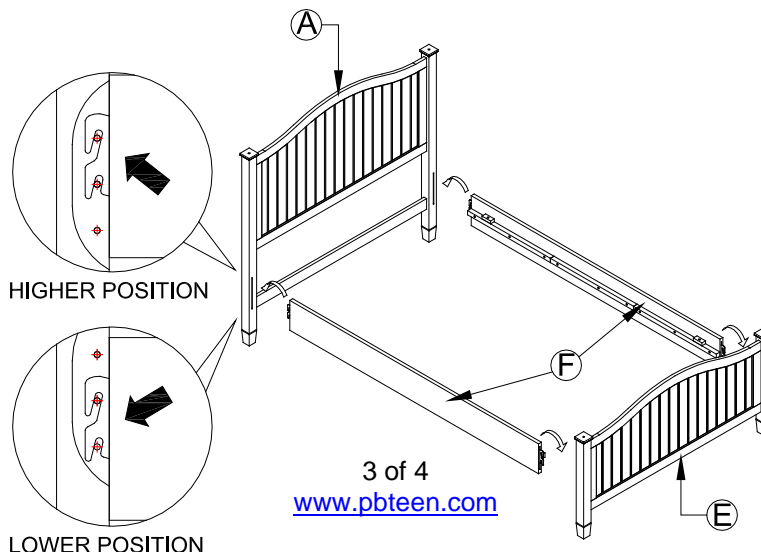


Instruction

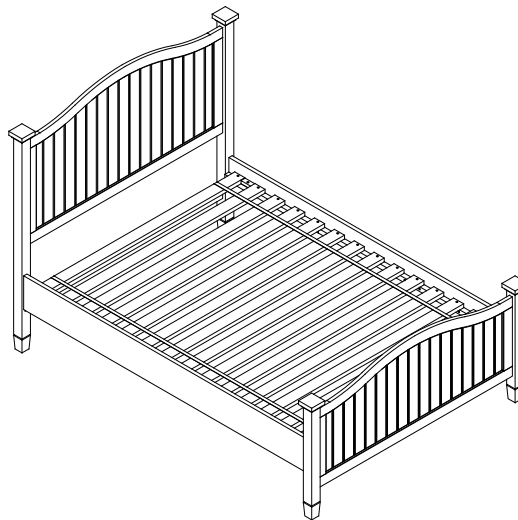
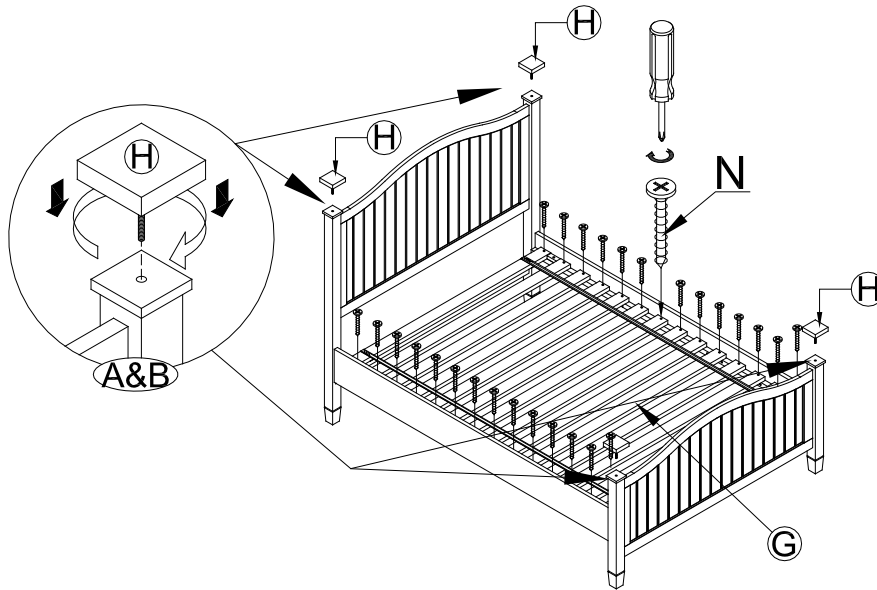
1. Lay down Headboard (A) on a soft, scratch-free surface such as a rug or carpet. Attach the Left Headboard post (C) to Headboard (A) with 3pcs of Hex bolt (J), followed with 3pcs of Spring washer (K), and Flat washer (L). Insert through the pre-drilled holes of Headboard and Post. Attach the Headboard Connected Rail (B) to the assembled Post by using 1pc Hex bolt, with 1pc of Spring washer (K), and Flat washer (L) inserted through the Half moon washer (M), and the hole of the Rail and Post. Tighten all bolts with Allen key (I), making sure to not over tighten. Repeat the above steps to complete the assembly of Post (D).



2. Determine desired location of bed. Hold Headboard (A) in a vertical position tilted slightly forward. Attach each Side Rail (F) to Headboard legs by inserting the hooked ends of the Side Rail (F) into the corresponding slots in the Headboard legs. Push down firmly on the top of the Side Rails (F), until they sit themselves over the pins inside the leg slots, as shown in the illustration below. Be sure the small ledge on each Side Rail (F) is facing inward. There are two levels for the Side Rails (F). If you plan to use a trundle, please use the higher setting.
3. Repeat Step 2 with Footboard (E).



4. Assemble the 4 Post Caps (H) on each top of Headboard and Footboard by turning the caps in a clockwise direction as shown in the illustration below.
5. Lay Slats Roll (G) in between Side Rails (F). Make sure the ends of the slats rest upon the small ledge inside of the Side Rails (F). Using a Phillips Head Screwdriver, fasten Slats Roll (G) to Side Rails (F), with a Phillips Screws (N) as shown in the illustration below.
6. Hardware should be checked periodically for tightness.



Care Instructions:

- Avoid direct sunlight and excessive temperatures.
- Dust often using a clean, soft, dry, and lint-free cloth.
- Slightly moisten cloth with water. A damp cloth holds dust and prevents scratching.
- Waxing is not recommended on lacquered finish.