



Oxford Captain Bed
Assembly Instruction

Pre-Assembly:

- Please read all instructions before beginning assembly.
- For your safety and convenience, assembly by two adult is recommended.
- Carefully set out and identify all part hardware prior to assembly.
- Save all packing materials until assembly is complete to avoid accidentally discarding small part or hardware.

Part Enclosed in Box 1:

- (1) Headboard - (A)
- (1) Footboard - (B)

Part Enclosed in Box 3:

- (1) Storage - (J)

Hardware Enclosed in Box 3:

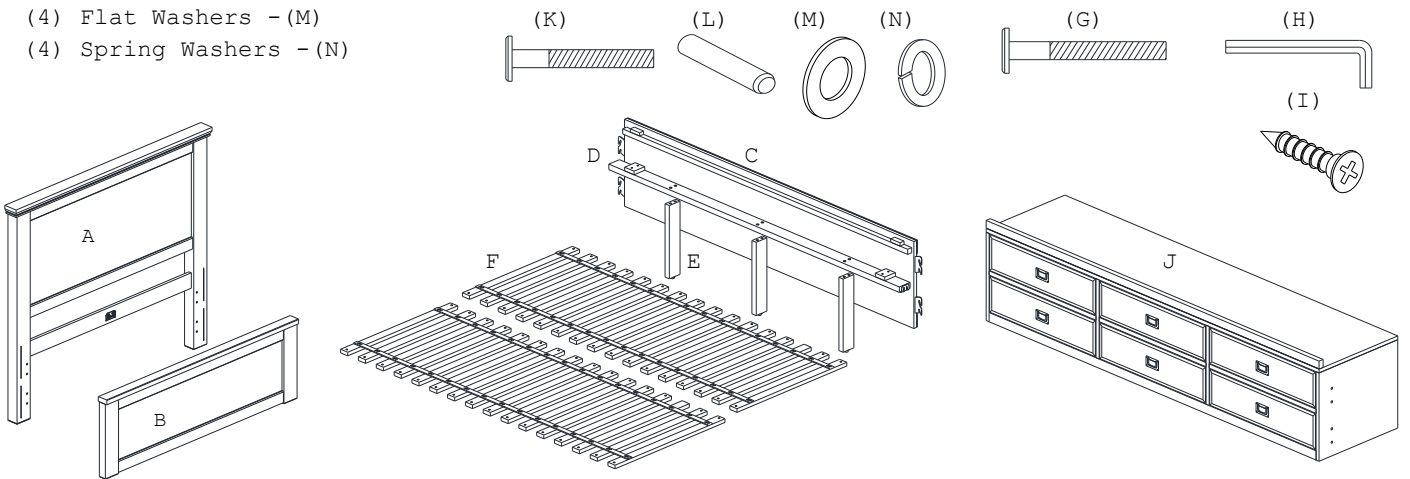
- (4) Allen Bolts M6 x 35mm - (K)
- (4) Wooden Dowels M10 x 30 - (L)
- (4) Flat Washers - (M)
- (4) Spring Washers - (N)

Part Enclosed in Box 2:

- (1) Side rail - (C)
- (1) Mid Beam (Queen only) - (D)
- (3) Leg supports (Queen only) - (E)
- Slats - (F)
 - Queen (2) Roll
 - Full/Twin (1) Roll

Hardware Enclosed in Box 2:

- (6) Allen Bolts M6 x 45mm - (G)
- (1) Allen Key M4 - (H)
- Screws - (I)
 - Full 8 x 1 1/2" (32)
 - Twin 8 x 1 1/4" (32)
 - Queen 8 x 1 1/4" (64)



To Assemble:

1. Side Rail (C) should be attached on one side, left or right side, as customer's desire. And the storage will be on the other side.
2. Attach side rails (C) to the headboard (A) and footboard (B) by inserting hooks into the corresponding slots. Ensure connections are secure as shown in fig 1, illustration 1.
3. Insert wooden dowels (L) into the holes on the headboard (A) and footboard (B). Attach the storage (J) to the headboard (A) and footboard (B) by inserting the wooden dowels (L) into the holes in the side panels of the storage (J).
4. Remove the end drawers from the storage (J). Insert the Allen Bolts (K) through the holes on the side panels of the storage (J), tighten with the Allen Key (H), as shown in illustration 2.

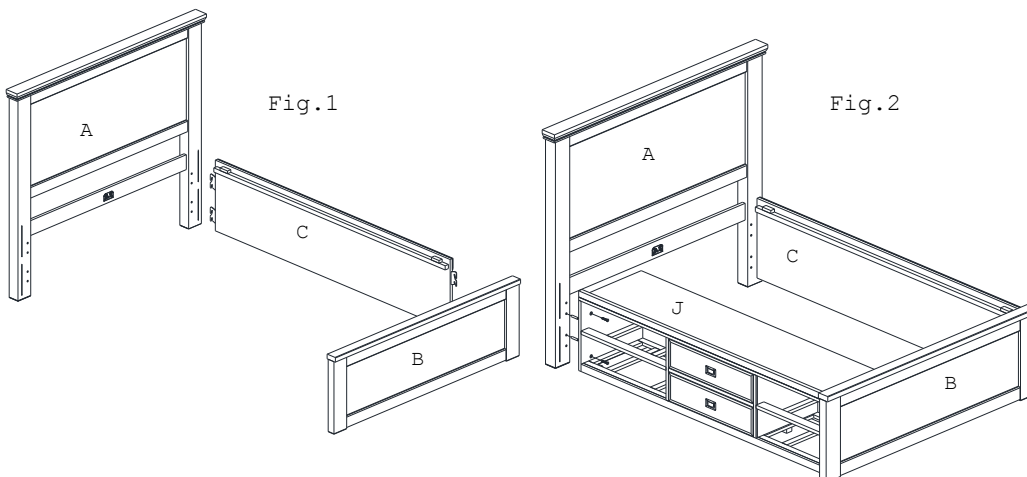


Illustration.1

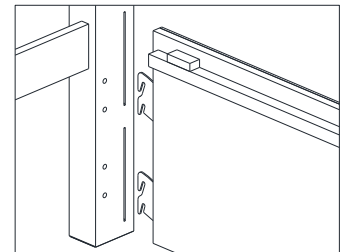
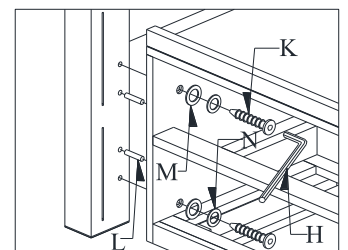
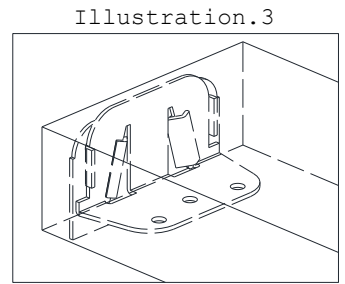
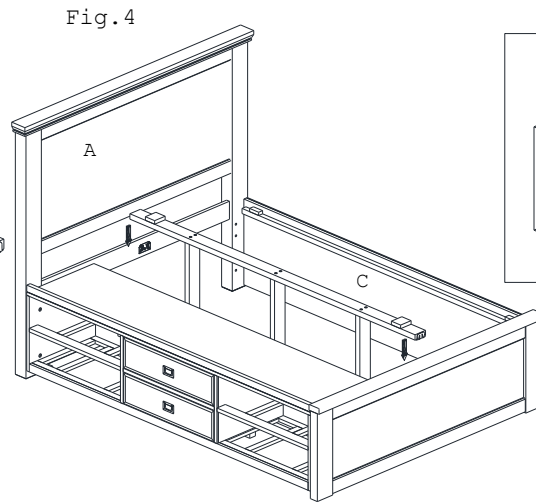
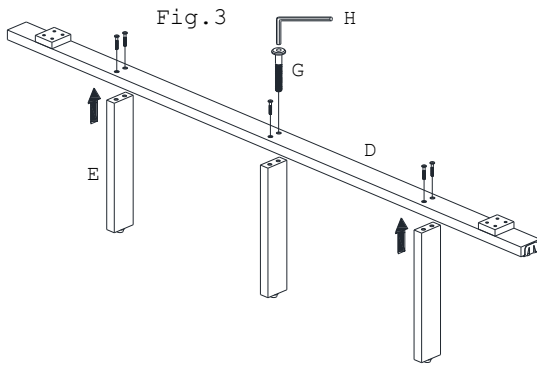


Illustration.2

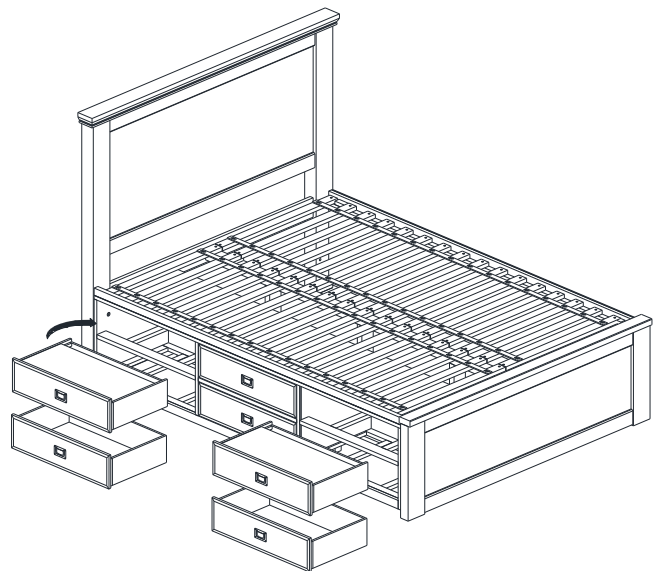
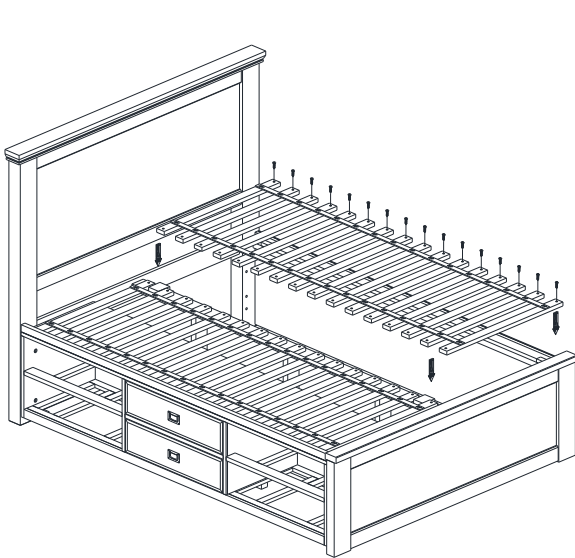


5. Attach the leg supports (E) to the mid beam (D). Align the holes on the mid beam (D) with the inserts in the leg supports, secure with the Allen Bolts (G) and tighten with the Allen Key (H), as shown in fig 3.
6. Attach the mid beam (D) to the headboard (A) and footboard (B) by sliding it onto the bed fitting as shown in fig 4, illustration 3.

Note: For Twin & Full Size do not have any mid beam, please skip the steps no 5 and no 6.



7. Roll out the slats (with connecting band on top). Lay the slats in place over mid beam (D) and side rail lips. Insert the screws (I) through the holes on the end of the slats and tighten with a screwdriver (Not Included).
8. Put the drawers backs to the previous positions.



Care Instructions:

- Avoid direct sunlight and excessive temperatures.
- Dust often using a clean, soft, dry and lint-free cloth.
- Waxing is not recommended on lacquered finish.
- Please wipe up all spills immediately.