

COSTA BOOKCASE

Important Safety Instructions:

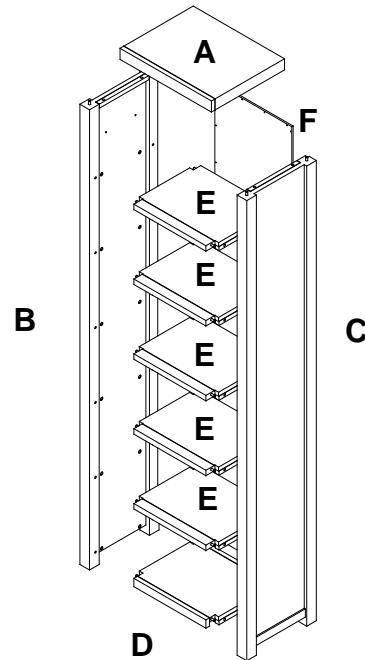
- Please read all instructions carefully before assembling.
- For your safety, assembly by two or more adults is strongly recommended.
- Keep instructions for future use.
- Use only vendor supplied hardware to assemble. Using unauthorized hardware could jeopardize the structural integrity of the item.

Pre-assembly:

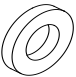

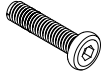


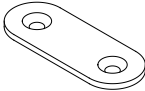

- Remove all parts and hardware from the box and lay out on a clear carpeted or scratch-free work surface, as this will avoid damaging parts during assembly. The shipping box provides an ideal work surface.
- Do not dispose of any packaging or contents of the shipping carton until assembly is completed to avoid accidentally discarding small parts or hardware.
- Use the parts and hardware lists below to identify and separate each of the pieces included.
- The illustrations provided allow for easier assembly when used in conjunction with the assembly instructions.
- The use of power tools to aid in assembly is not recommended. Power tools can damage hardware and split wood.

Parts Included:

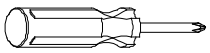
A	Top	1x
B	Left side panel	1x
C	Right side panel	1x
D	Bottom panel	1x
E	Shelf	5x
F	Back panel	1x



Hardware Included:

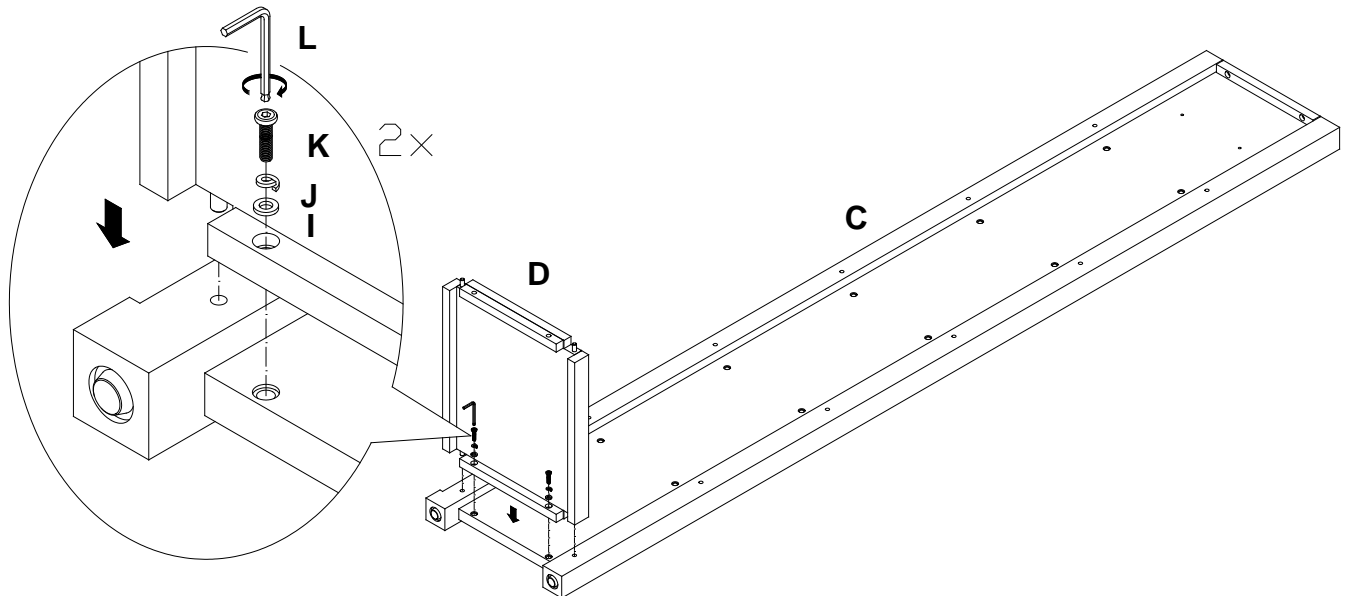
(I)-Flat washer 	(J) - Spring washer 	(K) - Allen bolt  M6x25 mm	(L) - Allen key 
28x	28x	28x	1x
(M)-Wood Screw  3.5x20 mm	(O)-Mending plate 	(P) Short wood screw  3.5x15 mm	
32x	2x	4x	

Tools Required (Not Included): Phillip Head Screwdriver

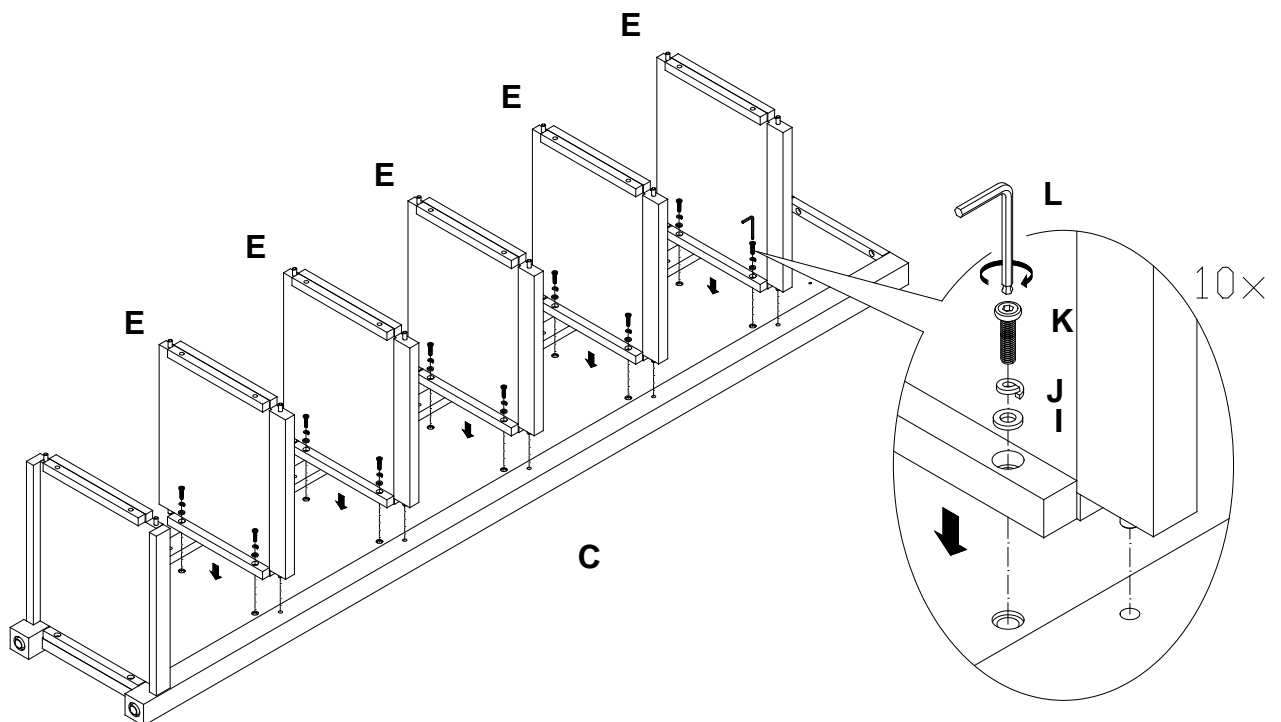


Assembly Instruction Steps:

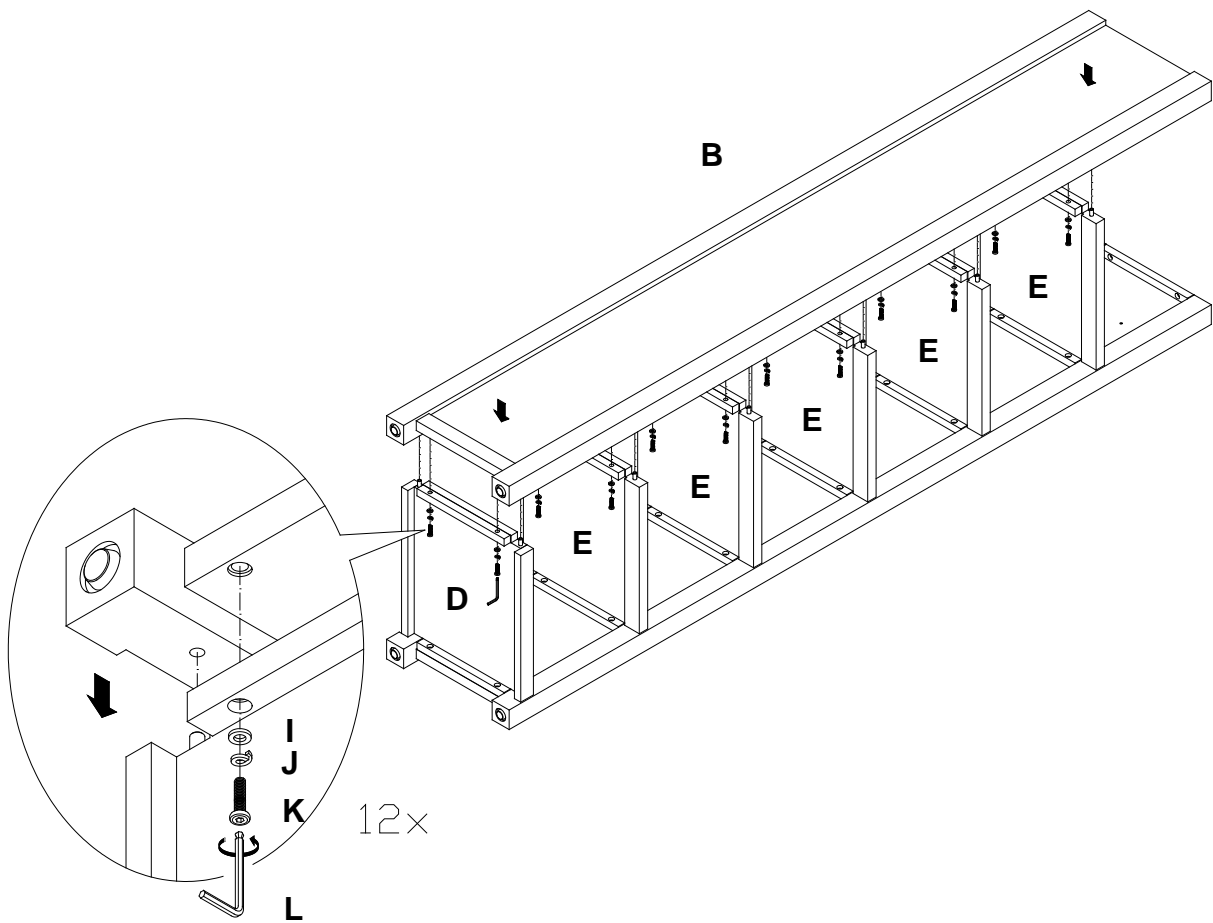
1. Attach the bottom panel (D) to the right side panel (C) by aligning the pre-drilled holes and exposed wooden dowels on the panels.
2. Secure with flat washer (I), spring washer (J) and Allen bolt (K) using Allen key (L).



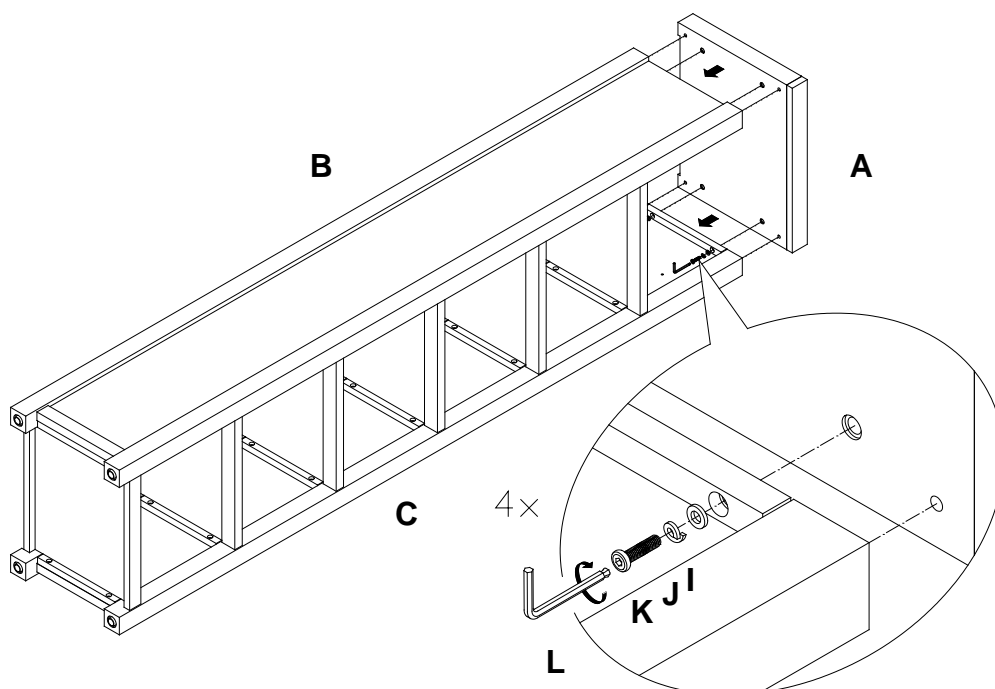
3. Repeat above steps to attach the shelf (E) to right side panel (C)..



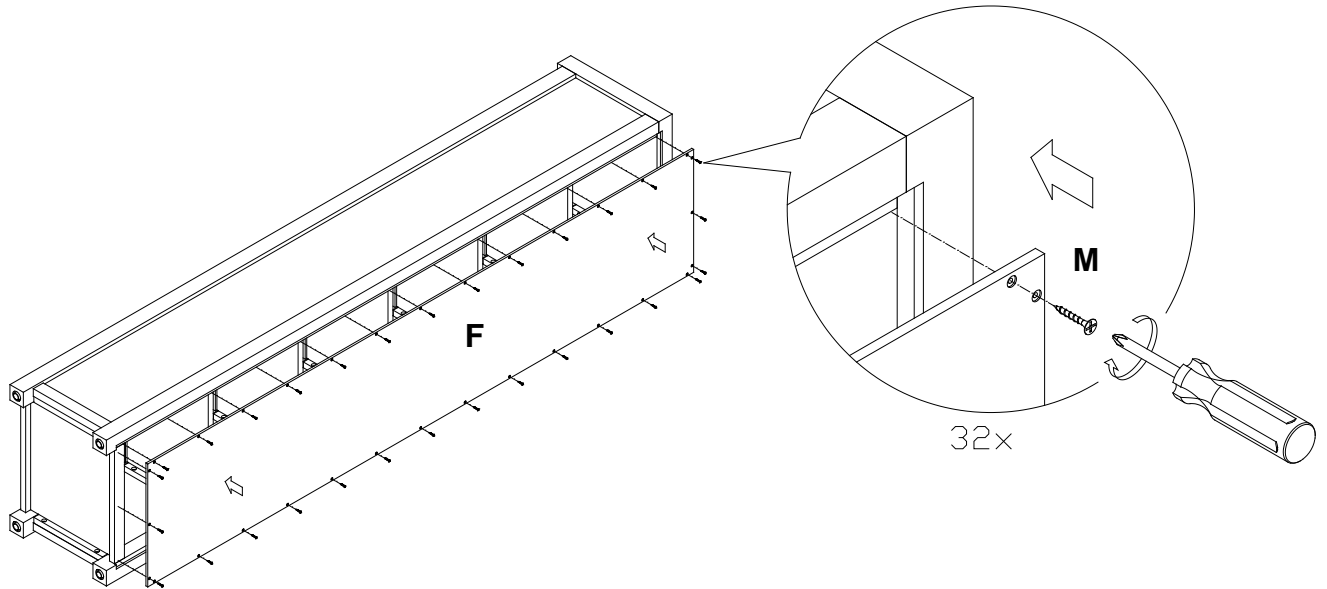
4. Attach the left side panel (B) onto shelves and bottom panel (E&D) by aligning the pre-drilled holes and exposed wooden dowels on the panels and shelves.
5. Secure with flat washer (I), spring washer (J) and short Allen bolt (K) using Allen key (L).



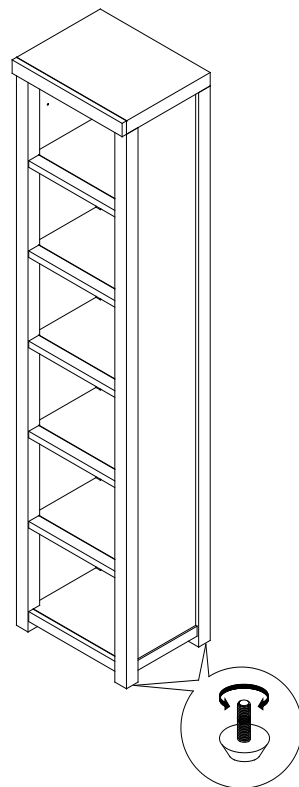
6. Attach the top (A) to the side panel (B&C) by aligning the pre-drilled holes and exposed wooden dowels on the panels.
7. Secure with flat washer (I), spring washer (J) and Allen bolt (K) using Allen key (L).



8. Attach the back panel (F) to the back side of bookcase. Secure with wood screw (M) using a Phillips Head Screwdriver.

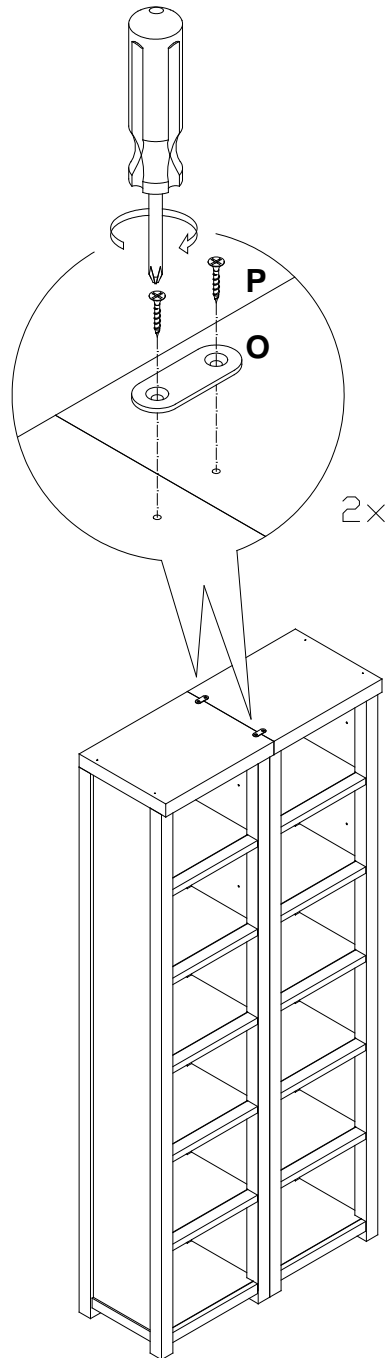


9. Slowly turn the bookcase upright.
10. To keep it level, adjust the recessed levelers located at the bottom of the posts (either in or out).



11. If placing two or more bookcases together.

- a. Ensure the bookcases level with each others. Adjust the levelers if need
- b. Align the mending plate (O) with pre-drilled hole on top of bookcase then secure with short wood screws (P) using a Phillips head screwdriver.



Assembly is completed.

Care Instructions:

- Dust often using a clean, soft, dry and lint-free cloth.
- Blot spills immediately and wipe with a clean, damp, cloth.
- We do not recommend the use of chemical cleansers, abrasives or furniture polish on our lacquered finish.
- Hardware may loosen over time. Periodically check to make sure all connections are tight.
Re-tighten if necessary.

Thank you for your purchase
Stores | catalog