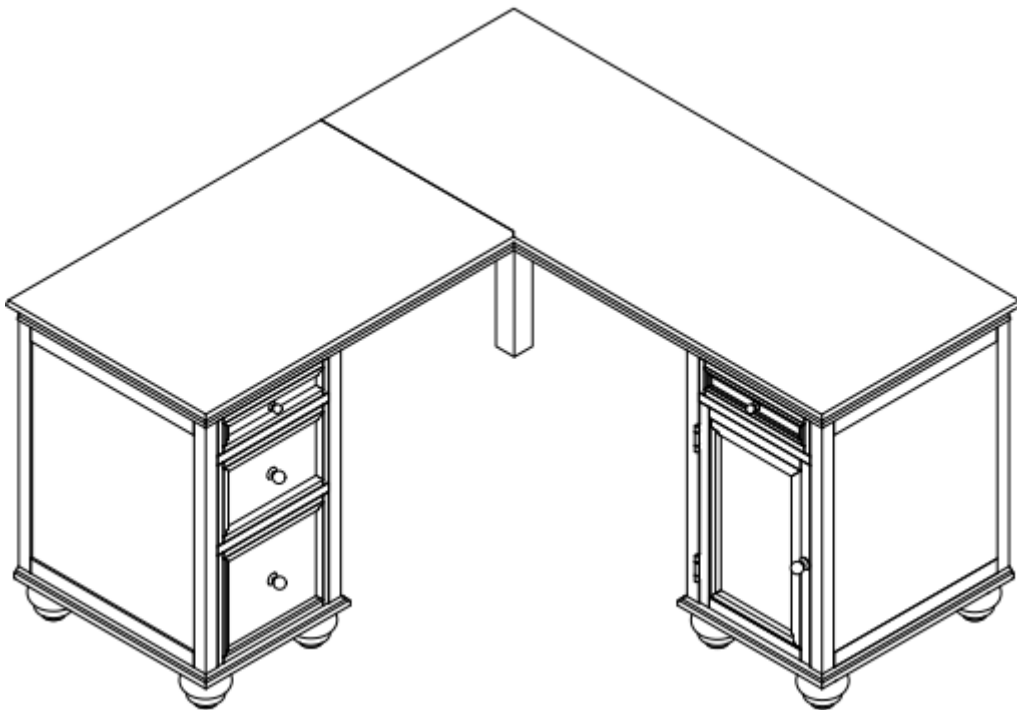




**CHELSEA CORNER DESK**  
**ASSEMBLY INSTRUCTIONS**



**Important Safety Instructions:**

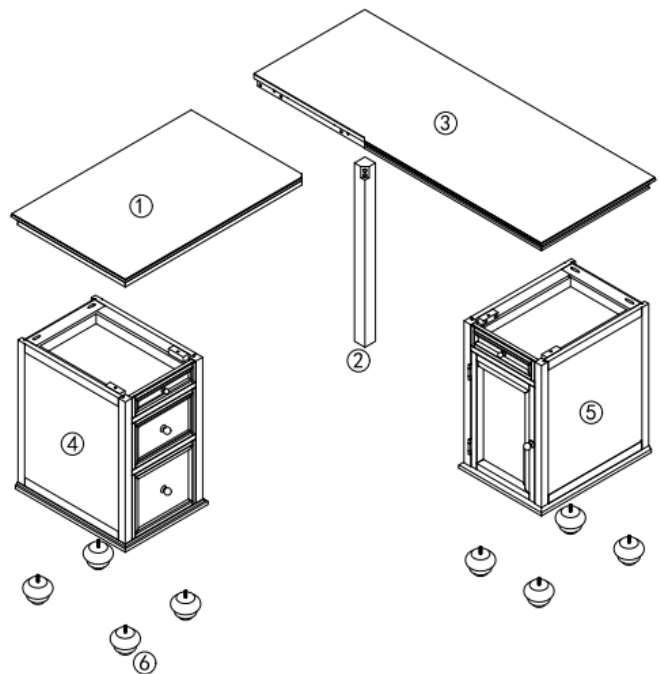
- Please read all instructions carefully before assembling this desk.
- For your safety, assembly by two or more adults is strongly recommended.
- Keep these instructions for future use.
- Use only vendor-supplied hardware to assemble this item. Using unauthorized hardware could jeopardize the structural integrity of the item.

**Pre-assembly:**





- Remove all parts and hardware from the box. Place all items on a carpeted or scratch-free work surface, as this will avoid damaging parts during assembly. The shipping box provides an ideal work surface.
- To avoid accidentally discarding small parts or hardware, do not dispose of any packaging or contents of the shipping carton until assembly is complete.
- Use the parts and hardware lists below to identify and separate each of the pieces included.
- The illustrations provided allow for easier assembly when used in conjunction with the assembly instructions.
- The use of power tools to aid in assembly is not recommended. Power tools can damage the hardware and split the wood.

**Parts Included:**





- |                                 |    |
|---------------------------------|----|
| (1) Corner Desk Top – Short Top | 1x |
| (2) Post leg                    | 1x |
| (3) Corner Desk Top – Long Top  | 1x |
| (4) Drawer base                 | 1x |
| (5) Door base                   | 1x |
| (6) Bun feet                    | 8x |











**Hardware Enclosed:**

Door Base Hardware			
a – Flat Washer 1/4" x Φ13 x 1 	b - Spring Washer 1/4" x Φ11 x 1.2 	c– Bolt 1 1/4" x 1" 	d - Allen Key M4 x 100mm x 30 
2x	2x	2x	1x

**Hardware Enclosed:**

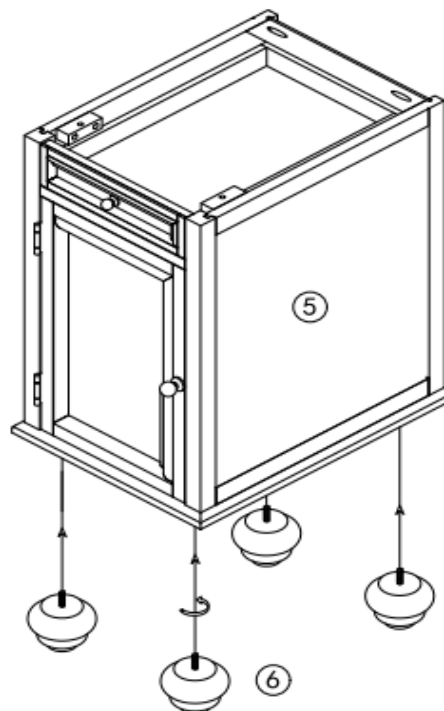
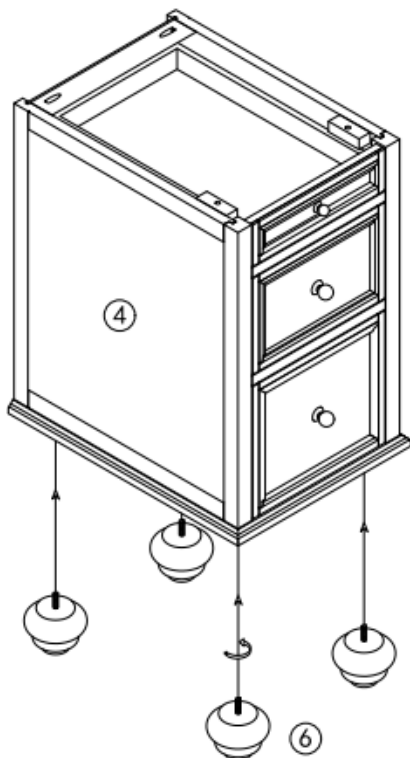
Drawer Base Hardware			
a – Flat Washer 1/4" x $\Phi$ 13 x 1 	b - Spring Washer 1/4" x $\Phi$ 11 x 1.2 	c– Bolt 1 1/4" x 1" 	d - Allen Key M4 x 100mm x 30 
2x	2x	2x	1x

**Hardware Enclosed:**

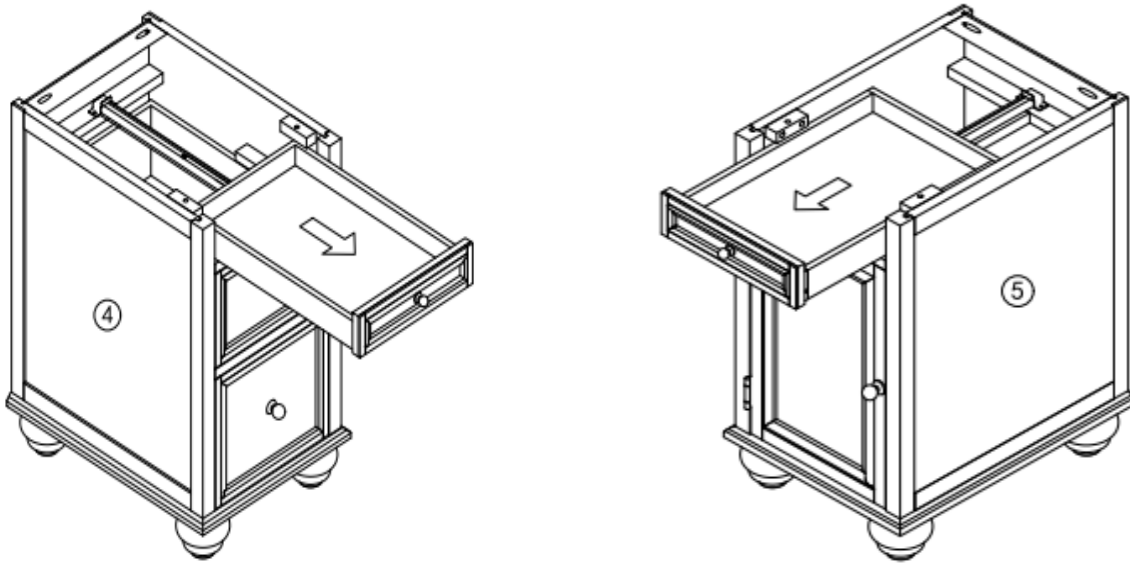
Corner desk top Hardware			
e - Wooden dowel 1040 	f – Bolt 2 5/16"*2-1/2" 	g - Allen sleeve nut 5/16"* $\Phi$ 16*3* $\Phi$ 10*20 	h - Spring washer 1 $\Phi$ 5/16"* $\Phi$ 13*1.8 
2x	6x	4x	6x
i - Flat Washer 1 $\Phi$ 5/16" x $\Phi$ 19 x 2 	j - Spring Washer 2 $\Phi$ 3/8" x $\Phi$ 15 x 1.8 	k- Flat Washer 2 $\Phi$ 3/8" x $\Phi$ 23 x 2 	l- Allen Key M5 x 114 x 31 
6x	4x	4x	1x

**Assembly Instruction Steps:**

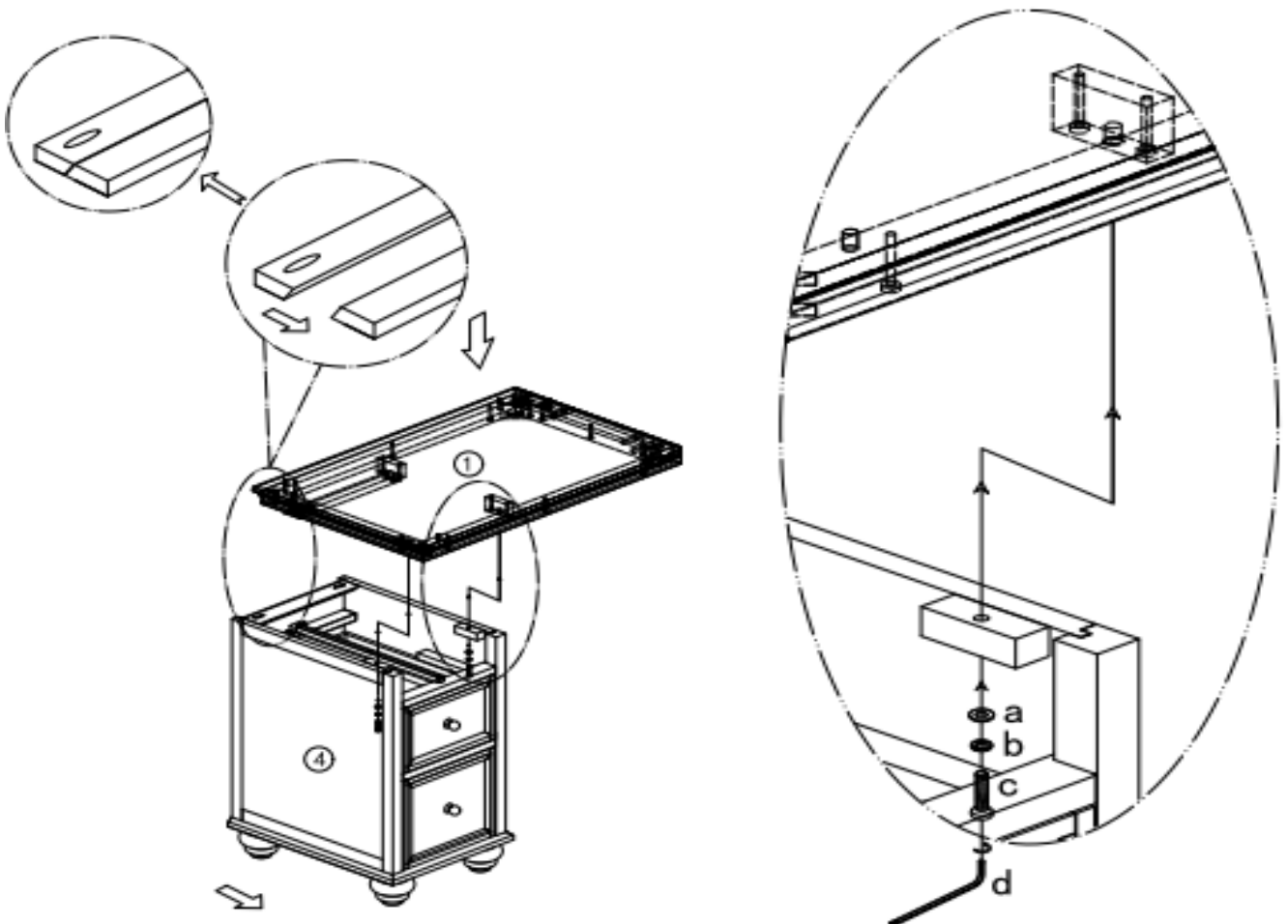
1. Place all parts on a soft, scratch-free surface such as a rug or carpet.
2. Insert Bun feet (6) into the Drawer base (4) and the Door base (5) by attaching the bun feet's bolt into holes under the base. Make sure all the bun feet are tightened.



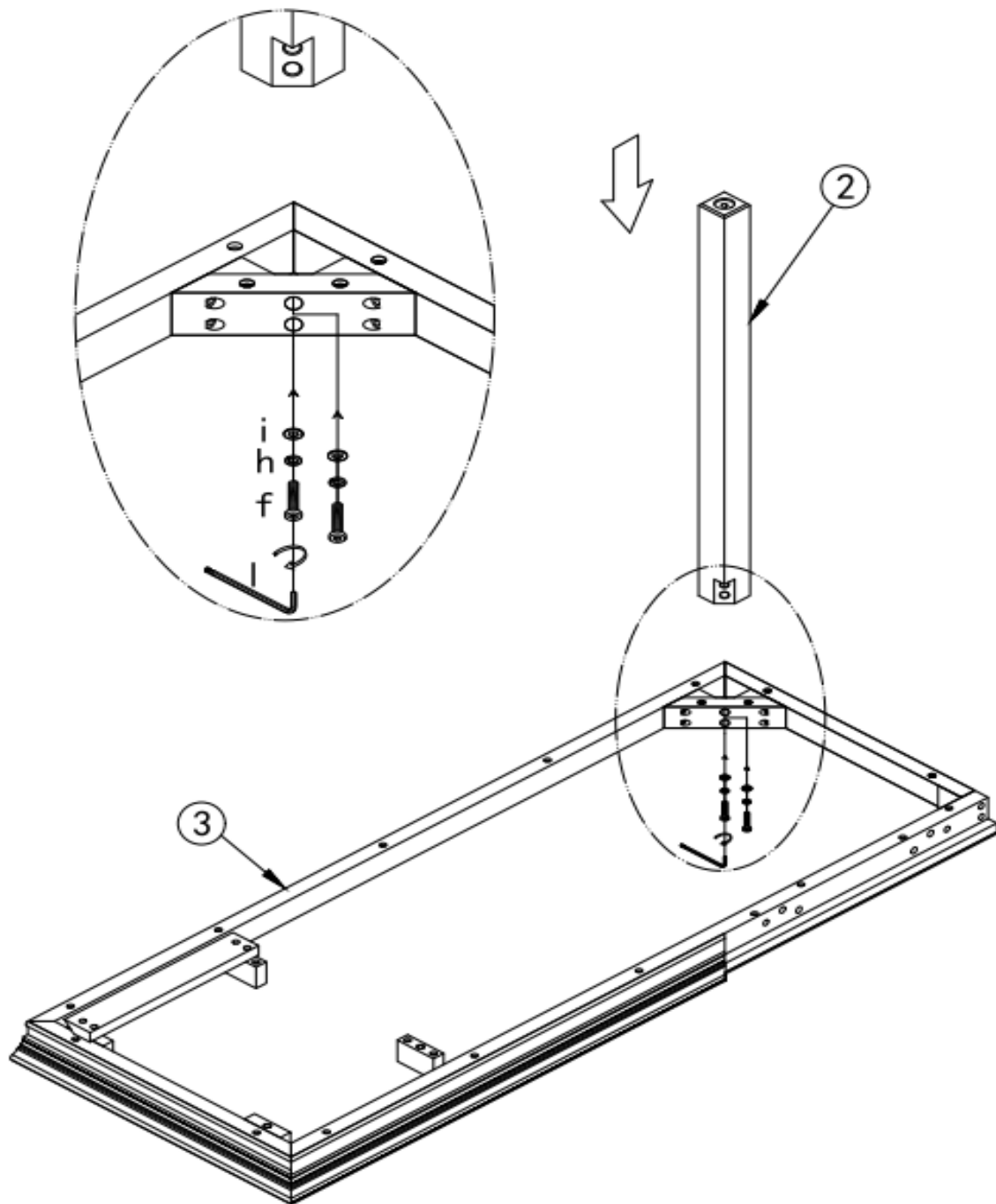
3. Remove the top drawer from the drawer base (4) and the Door base (5), as illustrate below.



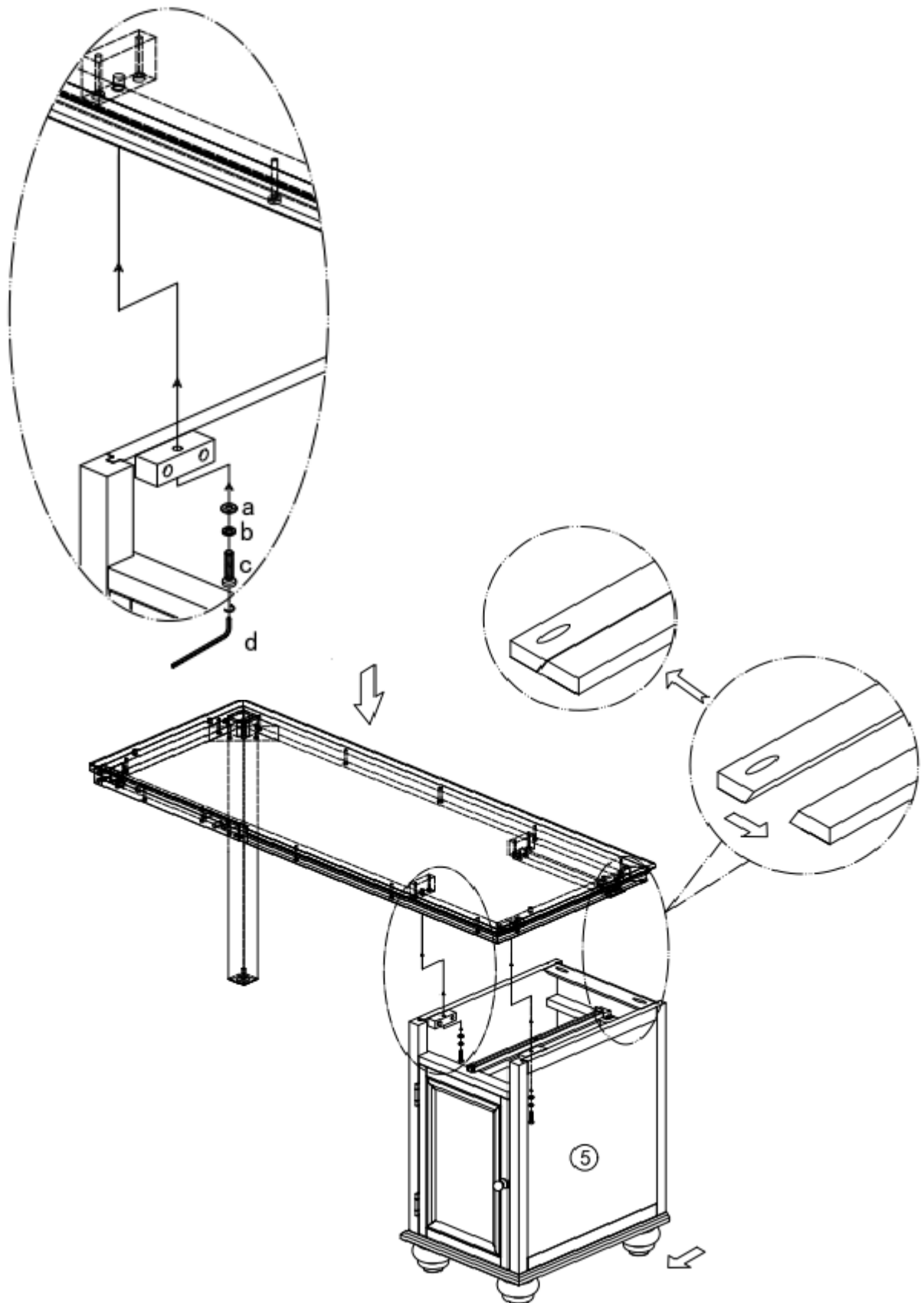
4. Carefully align the Short Top (1) onto the Drawer base (4) . Slowly move the Drawer base (4), engage insert the wood rail on the drawer base (4) into the gap between the wood rail and Short Top (1). Insert 2 set of Flat Washer (a), Spring washer (b), bolts (c) into support rail on the drawer base (4) and Short Top (1), tighten the bolt with Allen key (d).



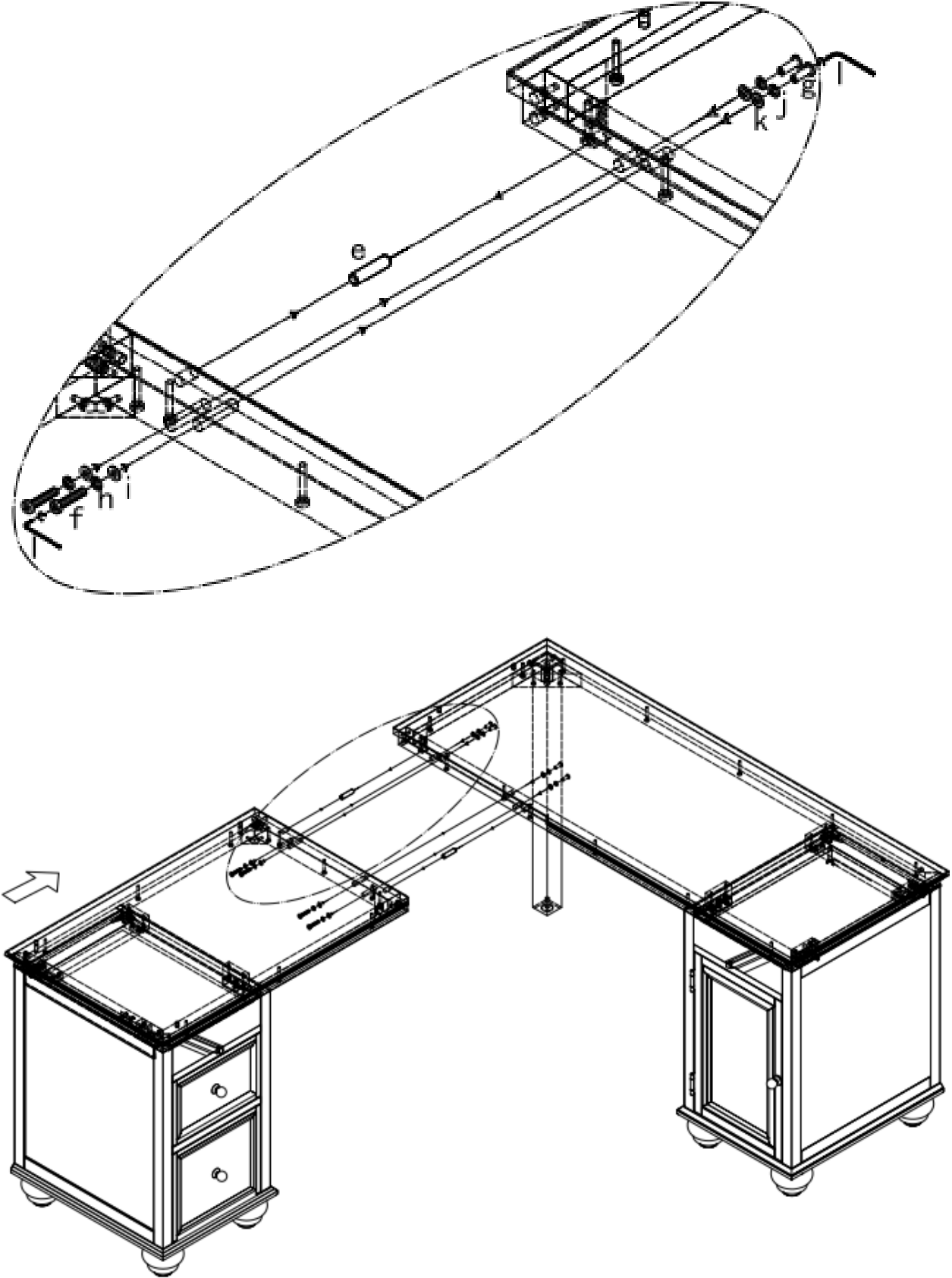
5. Insert post leg (2) into the corner block of Long Top (3). Align the bolt holes on the leg with holes on corner block. Insert 2 sets flat washer (i), spring washer (h), bolt (f) into corner block and leg (2), tighten by Allen key (l).



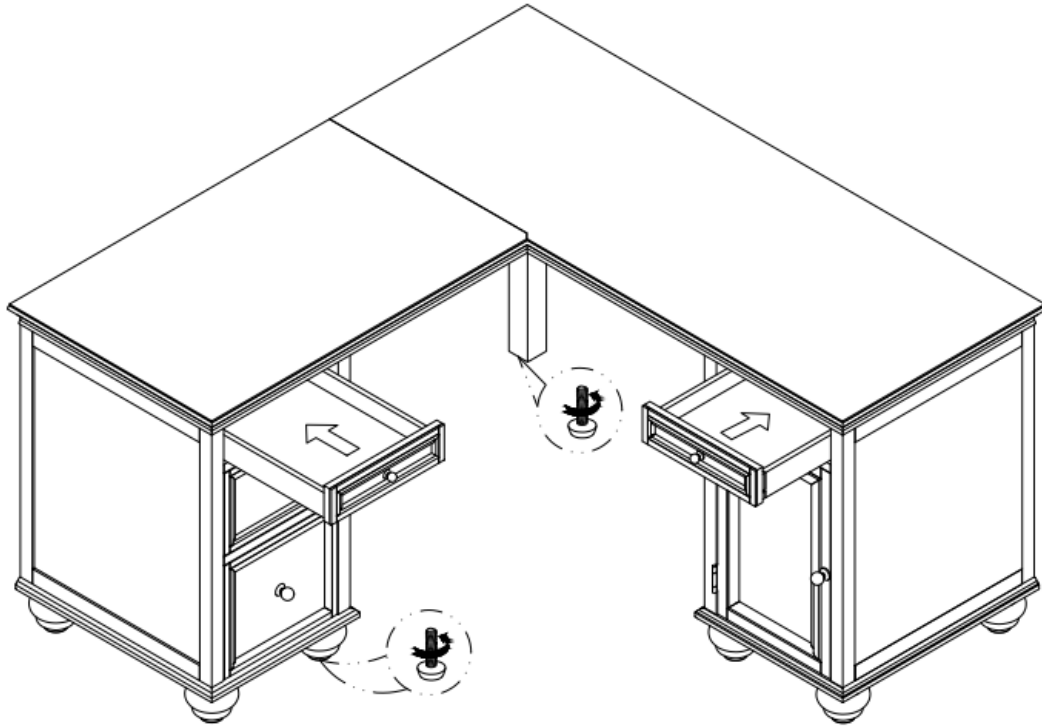
6. With the help of another person, carefully align the Long Top (3) onto the Door base (5). Slowly move the Door base (5), engage insert the wood rail on the Door base (5) into the gap between the wood rail and the Long Top (1). Insert 2 set of Flat Washer (a), Spring washer (b), bolts (c) into support rail on the door base (2) and Long Top (1), tighten the bolt with Allen key (d)



7. Slowly move the drawer base and the door base close enough to assemble two parts of the Corner Desk. Align the bolt holes of the Short Top (1) and the Long Top (3), insert wooden dowel (e) to fixed parts (1) & (3). Insert 4 sets flat washer (k), spring washer (j), Allen sleeve nut (g) into Long Top (3). Tighten by Allen key (l). As illustration below.
- Insert 4 sets flat washer (i), spring washer (h), bolt (f) into Short Top (1). Align the bolt (f) with Allen sleeve nut (g), tighten by Allen key (l). As illustration below.



8. Replace the top drawers to the Drawer base and the Door base. If the base doesn't sit level, adjust the levelers under the bun feet, as shown below.
9. Assembly is complete.



**Care Instructions:**

- Dust often using a soft, dry, and clean lint-free cloth.
- Blot spills immediately and wipe with a clean, damp cloth.
- We do not recommend the use of chemical cleansers, abrasives, or furniture polish on our lacquered finish.
- Hardware may loosen over time. Periodically check to make sure all connections are tight. Re-tighten if necessary.

Thank you for your purchase  
Stores | catalog | [www.pbteen.com](http://www.pbteen.com)