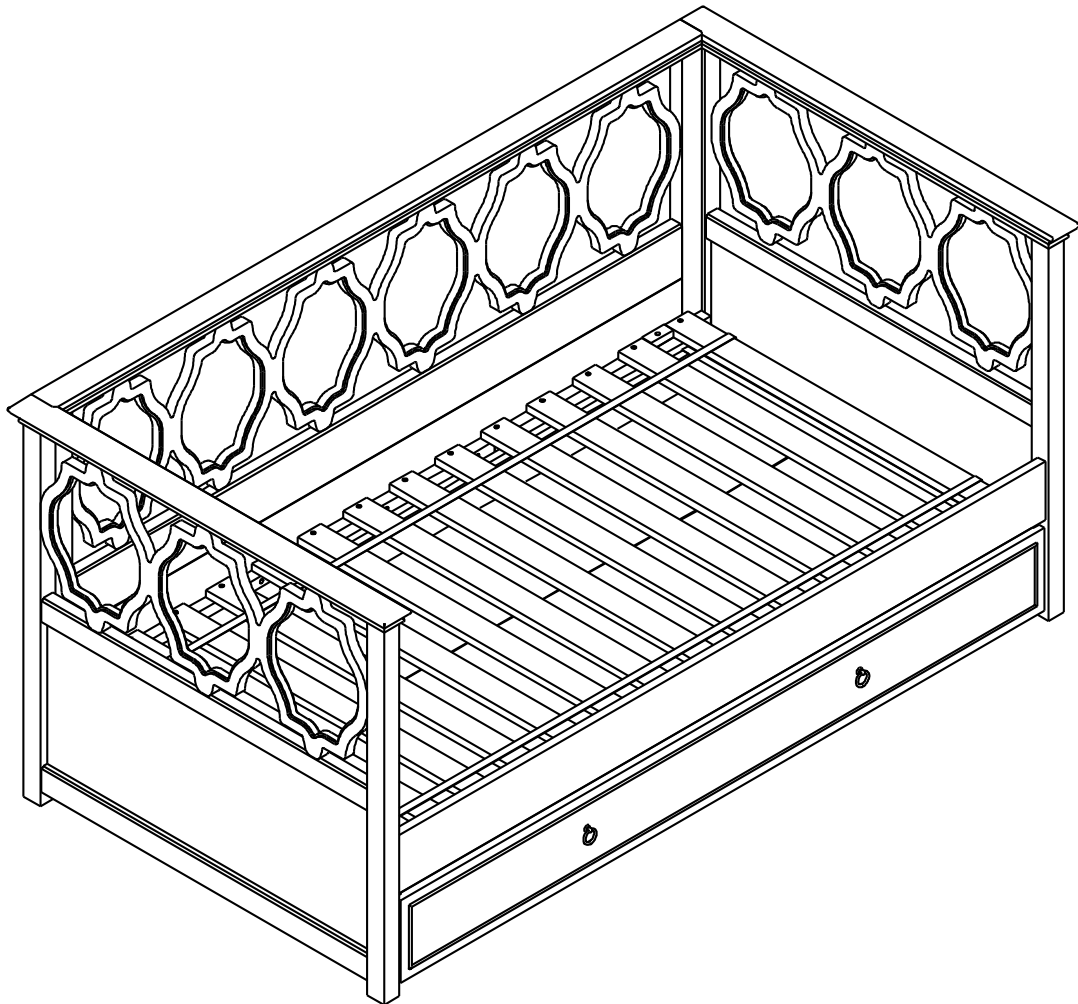


ELSIE DAYBED BED - TWIN

ASSEMBLY INSTRUCTION



IMPORTANT SAFETY INSTRUCTIONS:

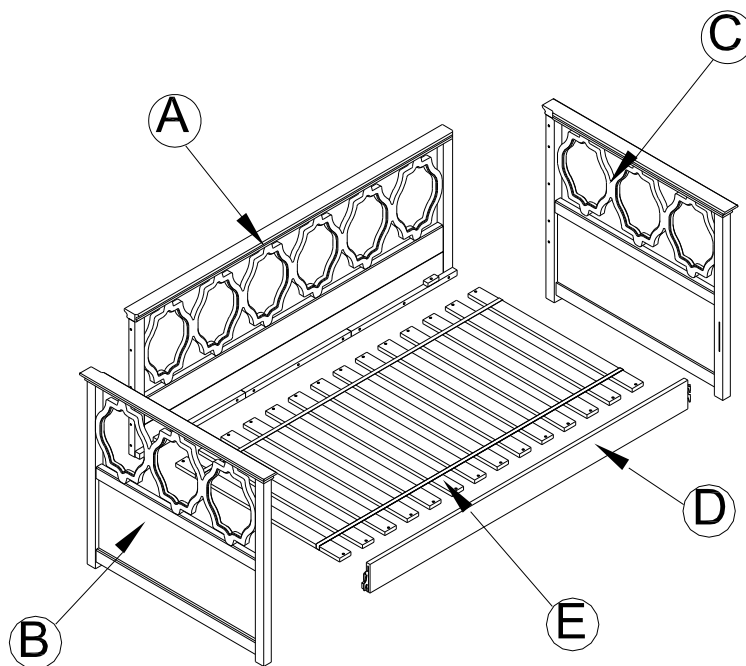
- Please read all instructions carefully before assembling this bed.
- For your safety, assembly by two or more adults is strongly recommended.
- Keep these instructions for future use.
- Use only vendor-supplied hardware to assembly this item. Using unauthorized hardware could jeopardize the structural integrity of the item.

PRE- ASSEMBLY:

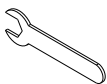
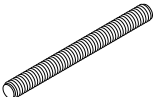

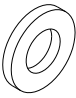
- Remove all parts and hardware from the box. Place all items on a carpeted or scratch-free work surface, as this will avoid damaging parts. The shipping box provides an ideal work surface.
- To avoid accidentally discarding small parts or hardware, please do not dispose of any contents until assembly is complete.
- Two people are recommended for your safety and ease of assembly.
- Prior to starting this assembly, use the parts and hardware lists to identify and separate each of the pieces included.
- The illustrations provided allow for easier assembly when used in conjunction with the assembly instructions.
- Note: Do not fully tighten any of the bolts until all parts are in place. Failure to follow these instructions may cause the bolts to misalign during assembly.
- Please use caution if using power tools to aid in assembly. Power tools can damage the hardware or split the wood.


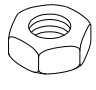
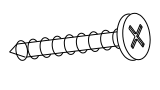
PARTS INCLUDED:

- A – Back Panel (x1)
- B – Left Side Headboard (x1)
- C – Right Side Headboard (x1)
- D – Side Rail (x1)
- E – Slat Roll (x1)



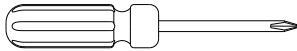
HARDWARE INCLUDED:

F – Wrench	G - Bolt	H -Half Moon Washer	I – Flat Washer
			
10 x88 x2 (mm)	1/4"x54(mm)	1/4"x24 x8 (mm)	1/4"x 12 x1.5 (mm)
1pc	6pcs	6pcs	6pcs

J – Spring Washer	K – Hex Nut	L –Phillips Head Screws
		
1/4" x10 x1.5 (mm)	1/4"x9.8x 4.2(mm)	8 x30 (mm)
6pcs	6pcs	28pcs

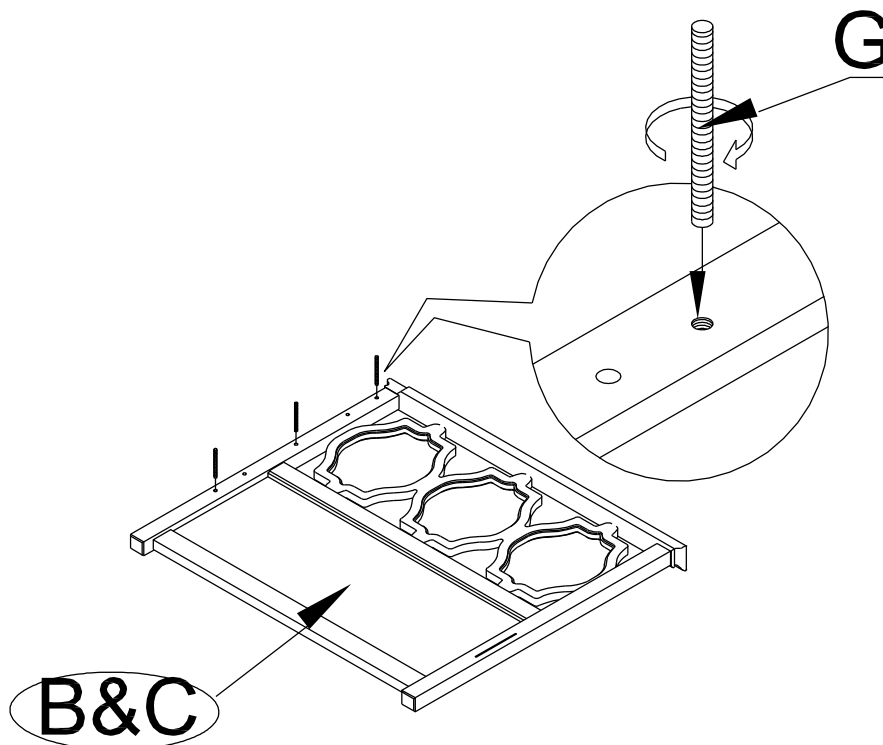
TOOL REQUIRED (but not included):

Phillips Head Screwdriver



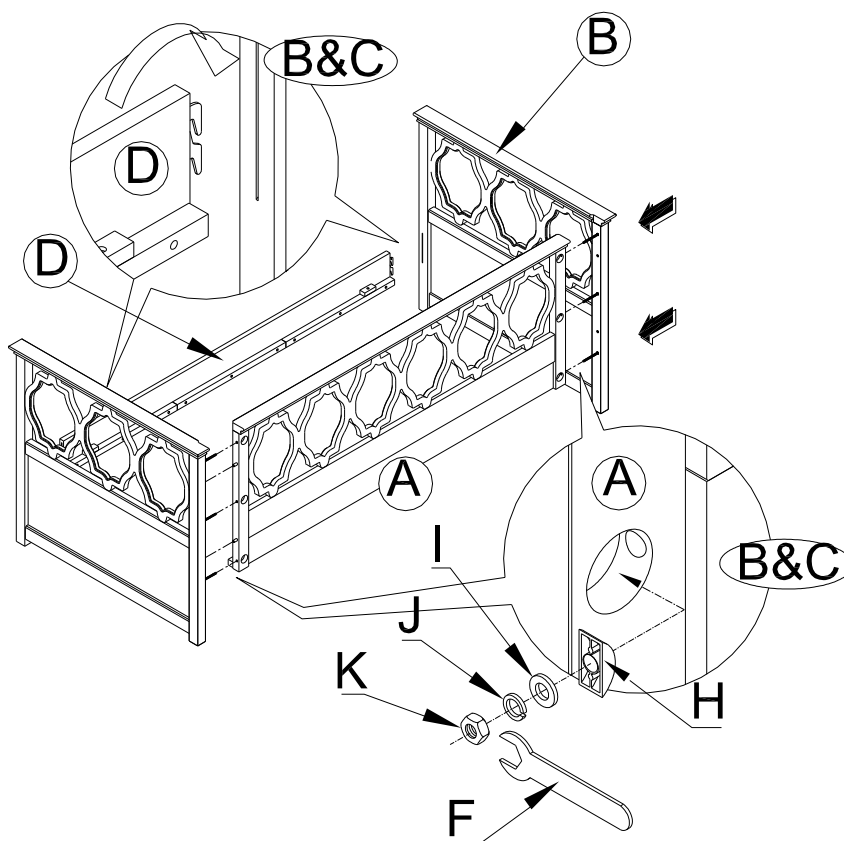
ASSEMBLY INSTRUCTION STEPS:

1. Place both Headboards (B & C) down onto a scratch free surface, as seen below.
2. Find the pre-fixed insert nuts on the posts of the Left and Right Side Headboard (B&C). Insert and then turn 6 Long Bolts (G) in a clockwise direction, as seen below.



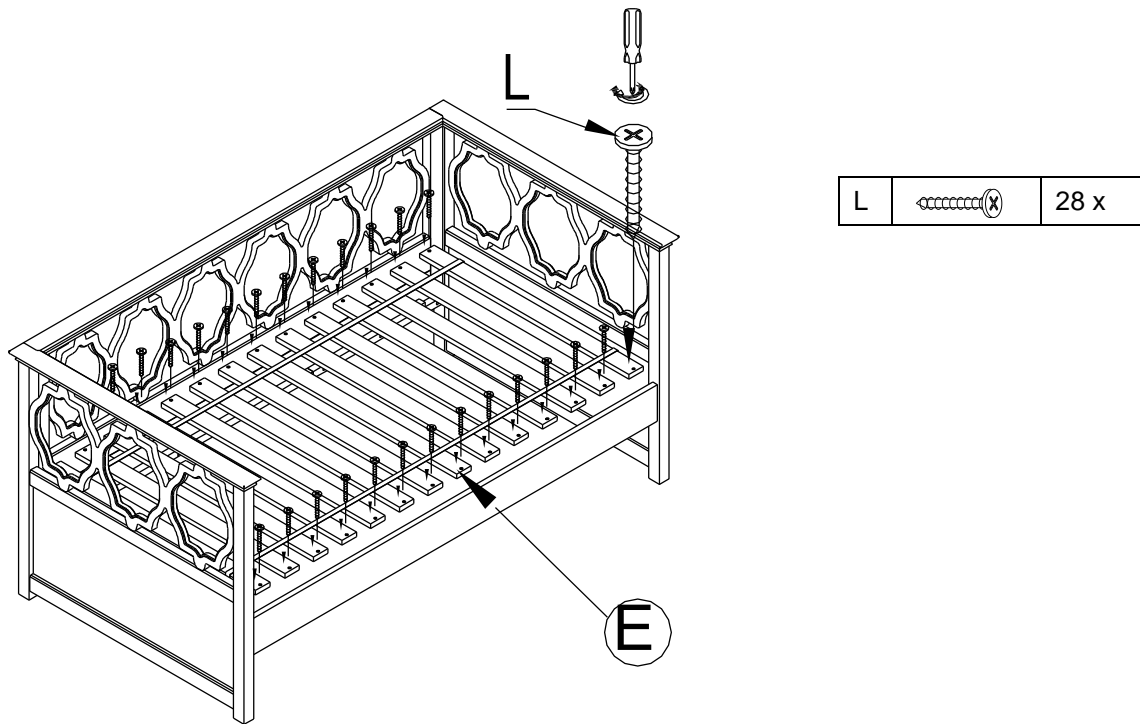
G		6 x
---	---	-----

3. Attach the Back Panel (A) to the Left and Right Side Headboards (B&C) by inserting the protruding ends of the Long Bolts (G) into the pre-drilled holes of Back Panel (A), as seen in the illustration below.
4. Insert 6 sets of: Half Moon Washer (H), Flat Washer (I), Spring Washer (J), and Hex Nut (K) through the Long Bolts (G), as seen in the illustration below.
5. When all of the above hardware are in place, loosely tighten the Hex Nuts with the supplied Wrench (F).
6. Hook Side Rail (D) to both Headboard Posts (B&C), with the solid ledge facing inside, as seen in the illustration below.
7. Tighten all Hex Nuts (K) after the Side Rail (D) is in place.

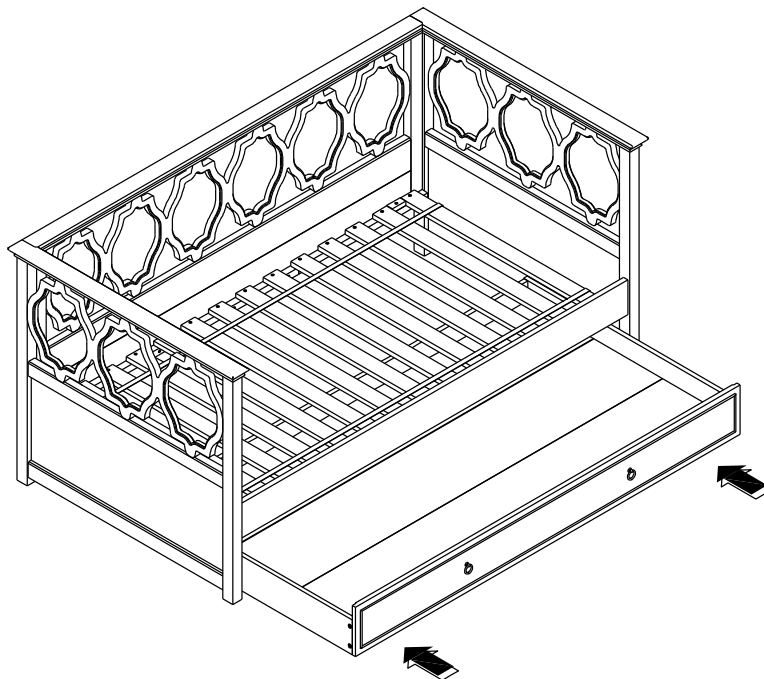


H		6x
I		6x
J		6x
K		6x

8. Place the Slat Roll (E) inbetween Back Panel (A) and Side Rail (D). Make sure the ends of the slats rest on the small ledges inside of Back Panel (A) and Side Rail (D).
9. Secure Slat Roll (E) with 28 Phillips Screws (L), using a Phillips Head Screwdriver (not provided), as seen in the illustration below.
10. Hardware should be checked periodically for tightness.



11. If using a trundle, insert the trundle slowly underneath the bed so that it will not hit the side Headboards of the bed.



CARE INSTRUCTIONS:

- Dust often using a clean, soft, dry, and lint-free cloth.
- Blot spills immediately and wipe with a clean, damp cloth.
- We do not recommend the use of chemical cleansers, abrasives, or furniture polish on our lacquered finish.
- Hardware may loosen over time. Periodically check to make sure all connections are tight. Re-tighten if necessary.