



Elsie Bookcase

Pre-assembly:

- Please read all instructions before starting to assemble the Elsie Bookcase.
- Two people are recommended during assembly for your safety and ease.
- To avoid accidentally discarding smaller parts or hardware, please save all packing materials until assembly is complete.

Part included:

A – Top Panel (x1)

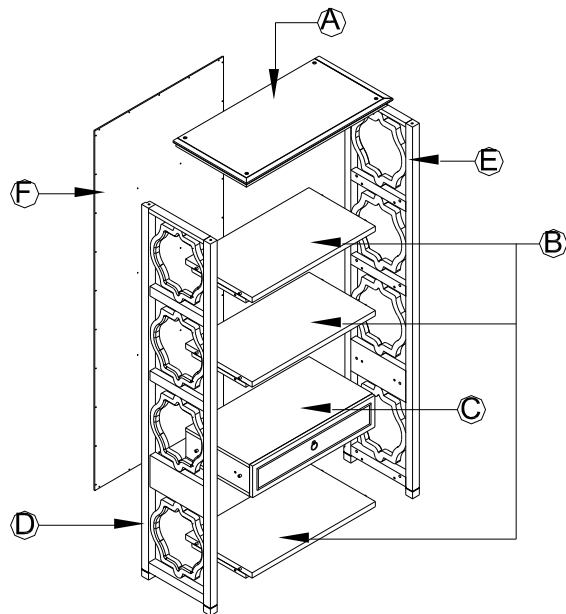
B – Shelf (x3)

C – Drawer (x1)

D – Left Side Panel (x1)

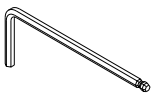
E – Right Side Panel (x1)

F – Back Panel (x1)

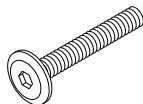


Hardware included:

G – Allen Key (x1)
4×95×30mm



H – Allen Bolt (x20)
1/4"×28×13mm



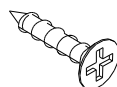
I – Spring Washer (x20)
1/4"×10×1.5mm



J – Flat Washer (x20)
1/4"×12×1.5mm



K – Phillip head Screw (x36)
6×15mm



TOOLS REQUIRED (but not included):

Phillips Head Screwdriver



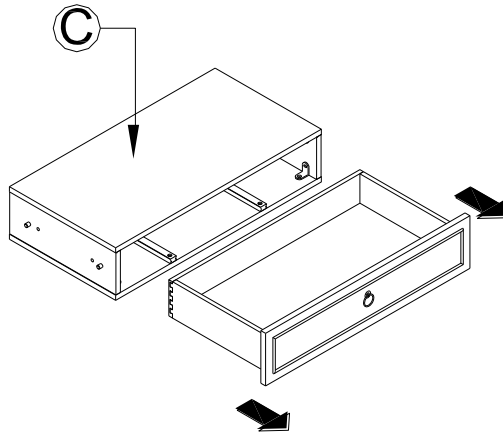
1 of 4

www.pbteen.com

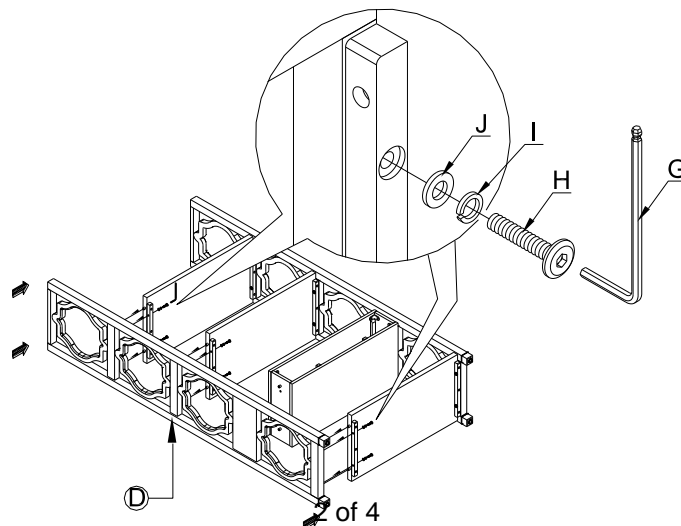
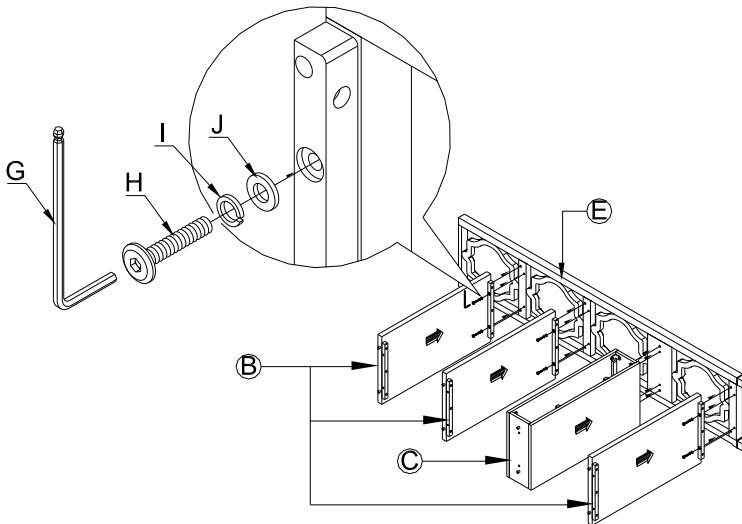
Aug.22, 2012

Assembly:

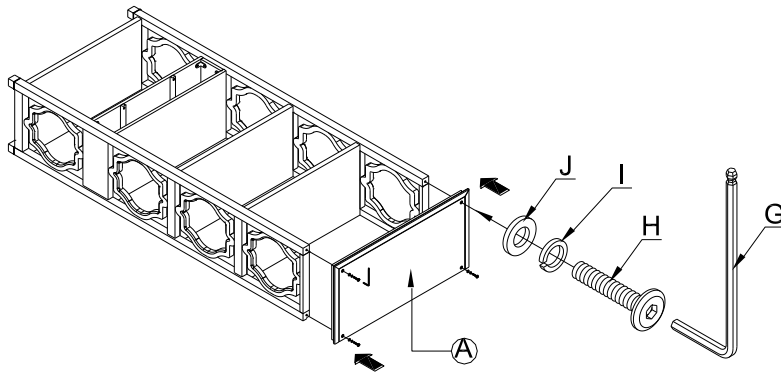
1. Lay the Drawer Box(C) down on a soft, scratch-free surface such as a rug or carpet. Pull out the drawer box from drawer frame as seen in the illustration below.



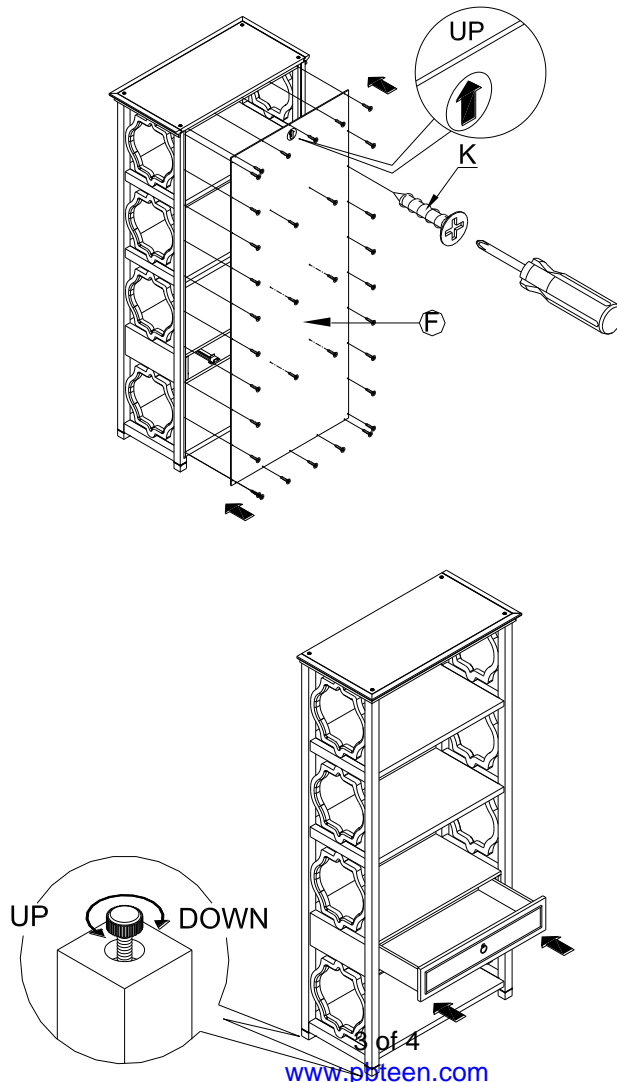
2. Attach 3pcs of Shelf (B) and the Drawer box frame (C) to the Right side panel (E) by inserting the Allen bolt (H), followed with the Spring washer (I), and the Flat washer (J) through the pre-drilled hole of the wood cleat on bottom shelf or drawer frame as shown below. Tighten all bolts with the Allen key (G), but make sure not to over tighten. Repeat the above steps to finish the assembly of the Left side panel (D).

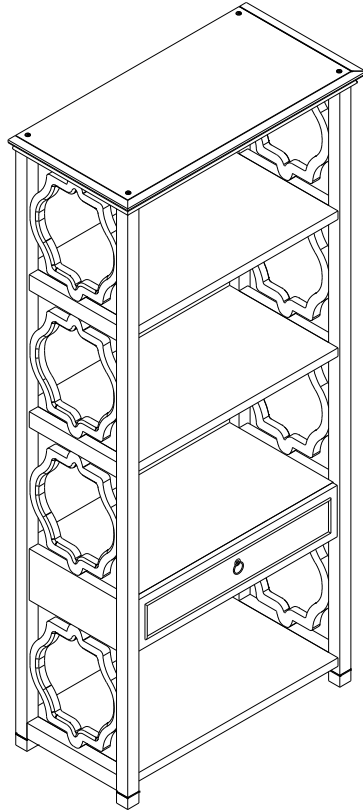


3. Attach Top panel (A) to the top side panel by inserting 4pcs of Allen Bolt (H), followed with 4pcs of Spring washer (I), and Flat washer (J) through the pre-drilled holes of the top panel as shown below. Tighten all bolts with the Allen key (G), but make sure to not over tighten.



4. Bring the bookcase upright as shown in the illustration below. Using a Phillips Head Screwdriver, attach the Back panel (F) to the bookcase with 36pcs of Phillip head screw (K). Insert the Drawer box to the drawer frame, and adjust the levelers on the feet of the unit (in or out) to level the bookcase as shown in the illustration below.





Care Instructions:

- Avoid direct sunlight and excessive temperatures.
- Dust often using a clean, soft, dry, and lint-free cloth.
- Slightly moisten cloth with water. A damp cloth holds dust and prevents scratching.