



Cushy daybed
Lit Cushy

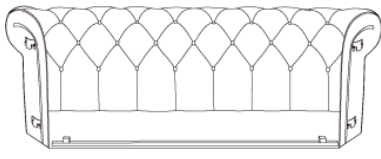
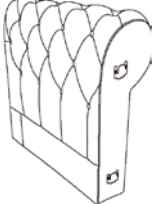

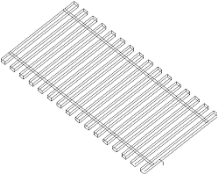

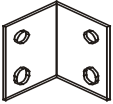



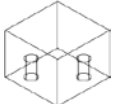

Important Safety Instructions:

- Please read all instructions carefully before assembling.
- For your safety, assembly by two or more adults is strongly recommended.
- Keep instructions for future use.
- Use only vendor supplied hardware to assemble. Using unauthorized hardware could jeopardize the structural integrity of the item.

Consignes de sécurité importantes:

- Veuillez lire toutes les instructions avec soin avant de commencer l'assemblage.
- Pour votre sécurité, il est fortement recommandé que l'assemblage soit fait par deux adultes ou plus.
- Conservez les instructions pour usage ultérieur.
- Utilisez seulement le matériel fourni par le fabricant pour faire l'assemblage. L'utilisation de matériel non approuvé pourrait mettre en péril l'intégrité structurelle de l'article.

Component list:

 <p>A. High side rail x1</p>	 <p>B. Arm rest x2</p>	 <p>C. Low side rail x1</p>	
 <p>D. Slate</p>	 <p>E. Mattress cover</p>	 <p>F. L shape bracket x4</p>	 <p>G. 6x25mm screw 16x</p>
 <p>H. 4*30mm 32x</p>	 <p>I. 5x50mm 12x</p>	 <p>J. wood legs x6</p>	 <p>K. Hex key x1</p>



Cushy daybed Lit Cushy

Assembly Instructions / Instructions pour l'assemblage

1. Open the carton, put the high side rail (A) standing, lay both armrest (B) on the left and right side. Attach the armrest with the high side rail by connectors, see figure 1.

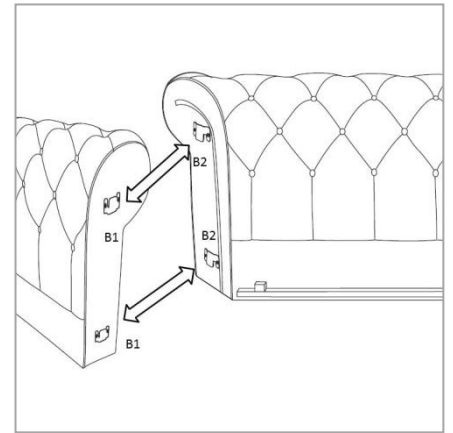
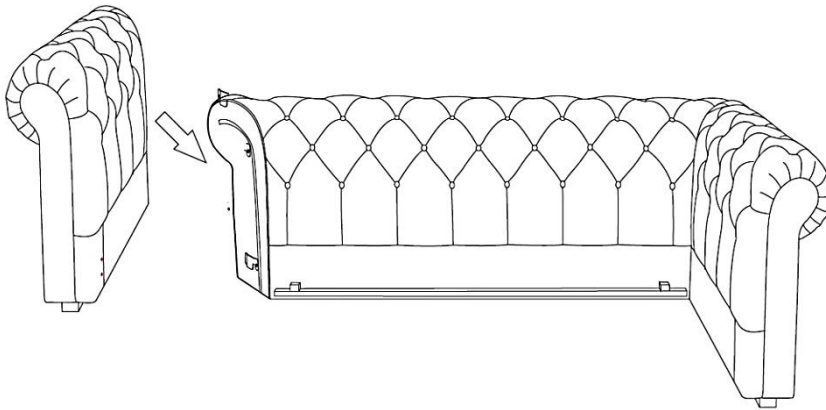
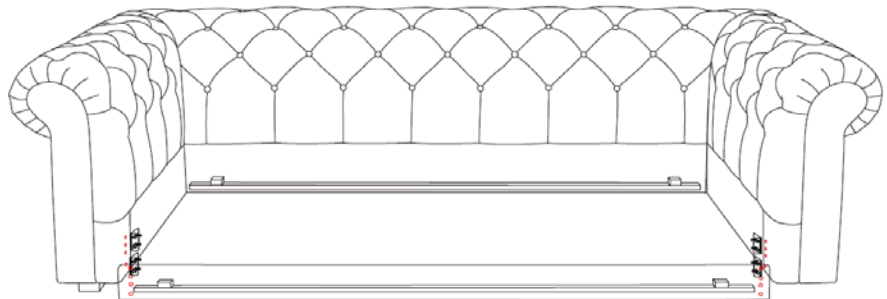
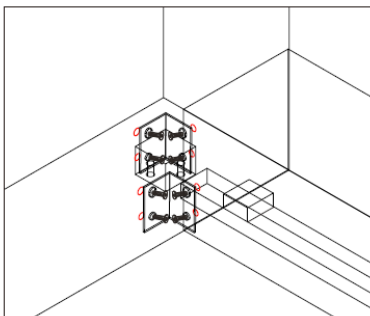


Figure 1

2. Connect low side rail (C) and both armrest with L shape brackets (F), insert screw 6x25mm(G) tighten with Alley key (k)



3. Lay the wooden slat roll in between the Headboard and the Footboard, secure the Wooden Slat (D) to the bed frame using screw (H), tighten with the Phillips Head Screwdriver (not included). Tighten up all bolts and screws to make sure the bed structure is rigid. It is recommended all screws be checked from time to time for safety as the hardware may loosen over time.

