



X-FRAME DESK SMALL
ASSEMBLY INSTRUCTIONS



Important Safety Instructions:

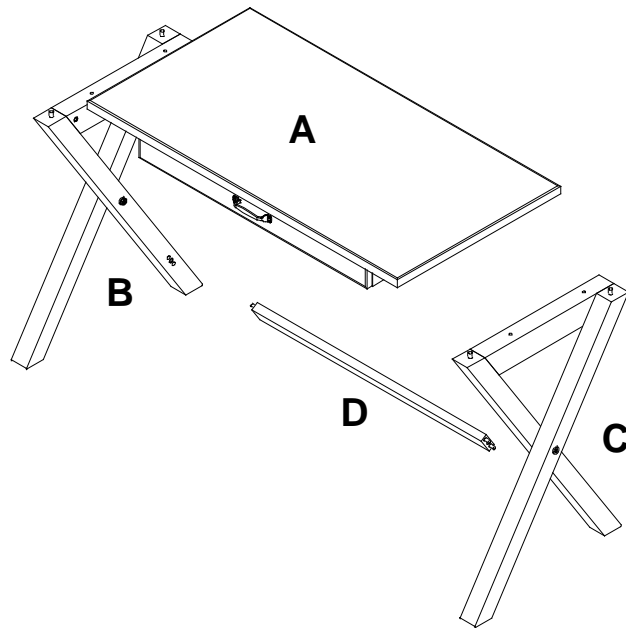
- Please read all instructions carefully before assembling this desk.
- For your safety, assembly by two or more adults is strongly recommended.
- Keep these instructions for future use.
- Use only vendor-supplied hardware to assemble this item. Using unauthorized hardware could jeopardize the structural integrity of the item.

Pre-assembly:


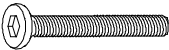
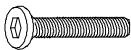



- Remove all parts and hardware from the box. Place them on a carpeted or scratch-free work surface, as this will avoid damaging parts during assembly. The shipping box provides an ideal work surface.
- To avoid accidentally discarding small parts or hardware, do not dispose of any packaging or contents of the shipping carton until assembly is complete.
- Use the parts and hardware lists below to identify, and separate each of the pieces included.
- The illustrations provided allow for easier assembly when used in conjunction with the assembly instructions.
- The use of power tools to aid in assembly is not recommended. Power tools can damage hardware and split wood.

Parts Included:

- (A) Desktop (1x)
- (B) Left Leg Panel (1x)
- (C) Right Leg Panel (1x)
- (D) Rear Stretcher (1x)

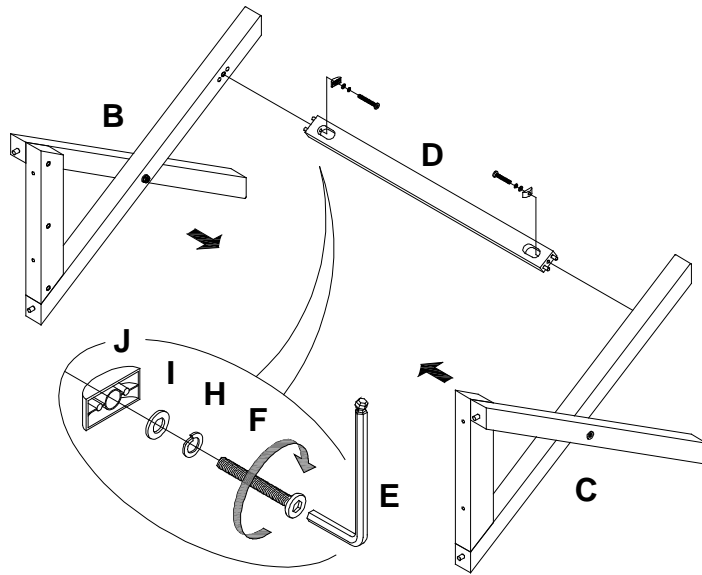


Hardware Included:

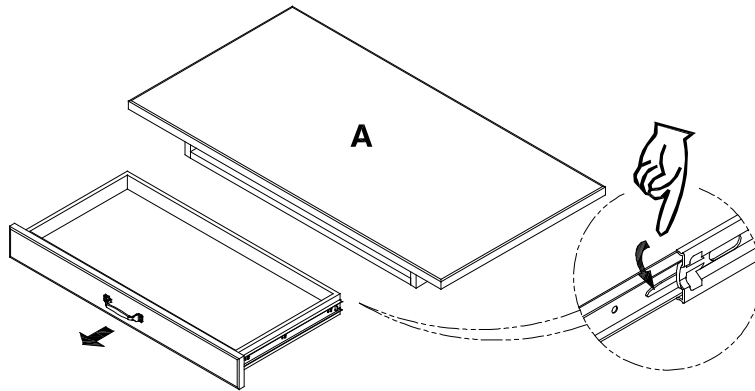
 (E) Allen Key – 1x	 (F) Long Bolt 1/4"x 45mm – 6x	 (G) Short Bolt 1/4"x 35mm – 6x
 (H) Spring Washer – 12x	 (I) Flat Washer – 12x	 (J) Half-Moon Metal Block – 2x

Assembly Instruction Steps:

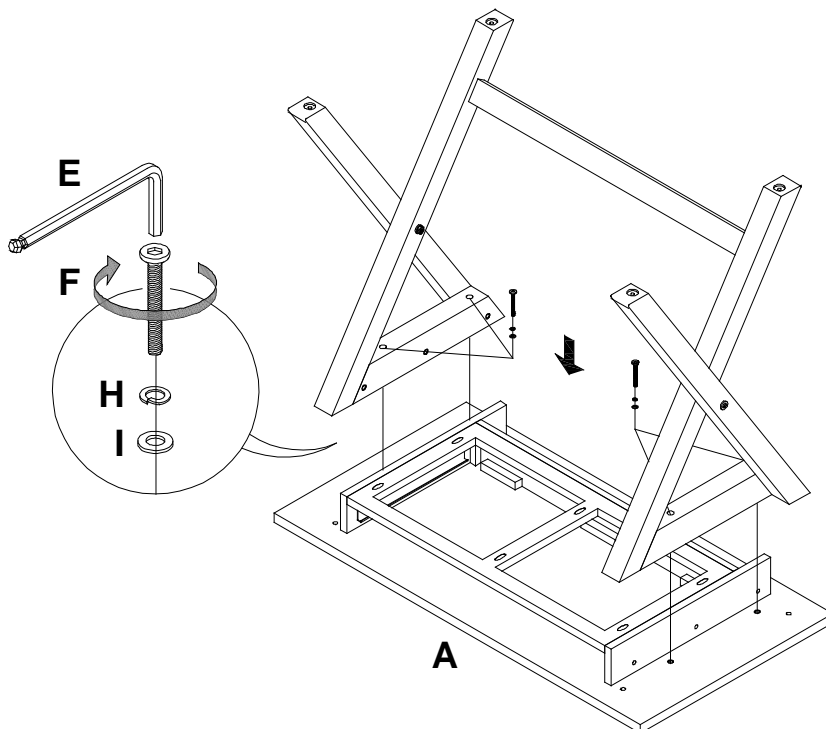
1. Connect the Rear Stretcher (D) to the Left and Right Leg Panels (B&C) with the cut-outs of the Rear Stretcher facing outwards. This can be seen in the illustration below.
2. Slide a Spring Washer (H), a Flat Washer (I), and a Half-Moon Metal Block (J) onto 2 Long Bolts (F).
3. Insert the Long Bolts (F) (with the washers) into the cut-outs of the Rear Stretcher (D) through the Leg Panels using Allen Key (E), as shown in the illustration below.
4. Do not fully tighten the bolts at this time.



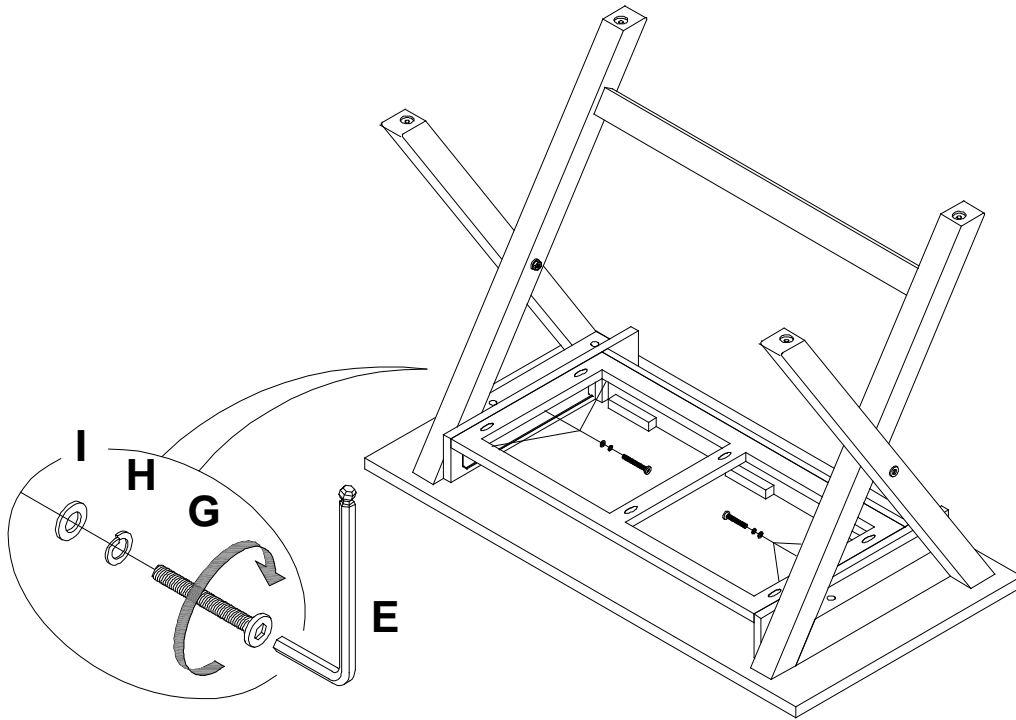
5. Pull the drawer box out and push/pull the triggers on both sides of the drawer to release the drawer box from the Desktop (A). Keep the drawer box for later use.



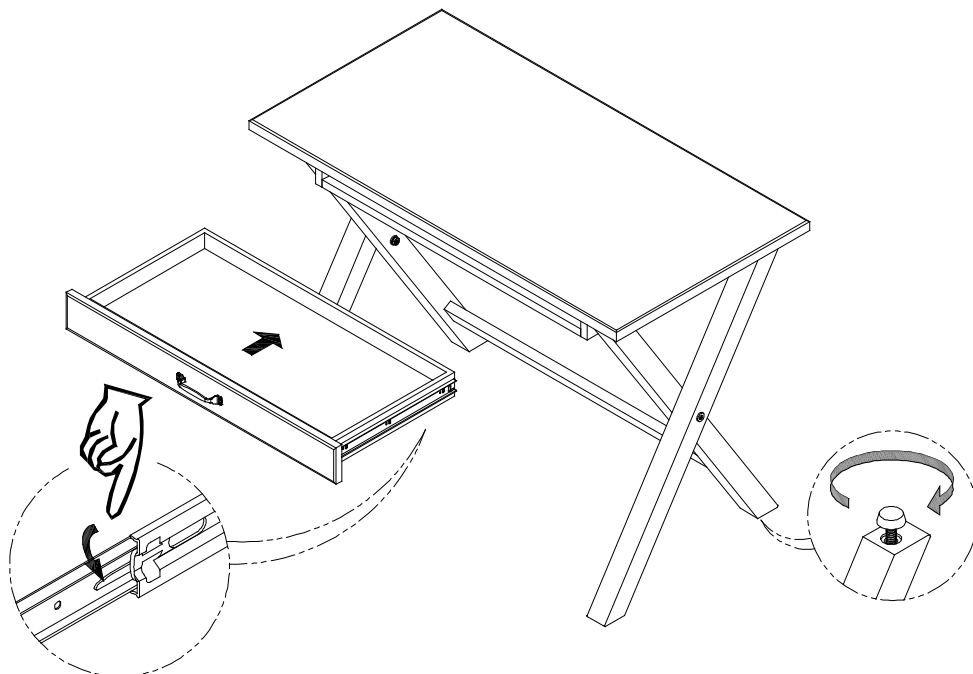
6. Attach the assembled Leg Panels (B&C) to the bottom of Desktop (A). Make sure the Rear Stretcher (D) is on the rear side of the desktop, as seen in the illustration below.
7. Slide a Spring Washer (H) and a Flat Washer (I) onto Long Bolt (F).
8. Insert (4) Long Bolts (with washers) into the pre-drilled Leg Panels, as seen in the illustration below.
9. Secure with Allen Key (E).



4. Slide a Spring Washer (H) and a Flat Washer (I) onto Short Bolt (G).
5. Insert 2 Short Bolts (G) (with washers) into the interior apron of the Leg Panels, as seen in the illustration below.
6. Secure using Allen Key (E).
7. Check alignments before tightening all connecting bolts.



8. Turn the assembled desk upright.
9. Attach the drawer box back to the desktop by aligning and pulling/pushing the triggers located on both sides of the drawer box to the metal tracks on the interior side of the aprons. Gently push the drawer all the way in to the desktop.
10. Pull and push the drawer box a couple times to make sure the drawer box is installed correctly.
11. Adjust the levelers located on the bottom of the legs either in or out to keep the desk level.



Care Instructions:

- Dust often using a clean, soft, dry, and lint-free cloth.
- Blot spills immediately and wipe with a clean, damp cloth.
- We do not recommend the use of chemical cleansers, abrasives, or furniture polish on our lacquered finish.
- Hardware may loosen over time. Periodically check to make sure all connections are tight. Re-tighten if necessary.