

WOOD STATIONARY ESSENTIAL CHAIR

Important Safety Instructions:

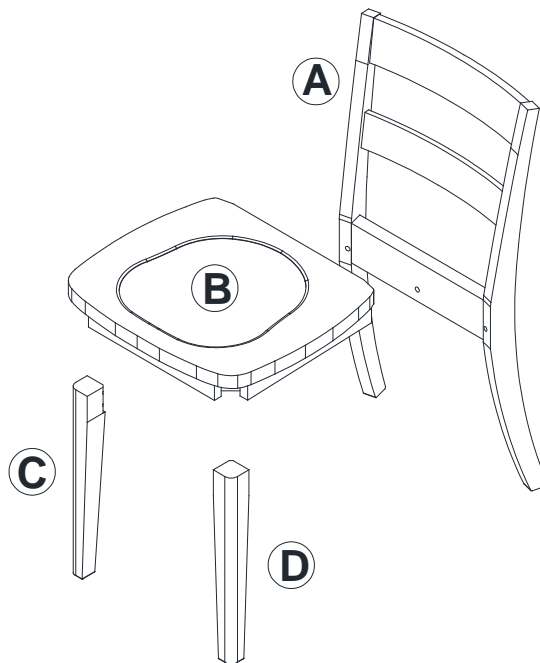
- Please read all instructions carefully before assembling.
- For your safety, assembly by two or more adults is strongly recommended.
- Keep instructions for future use.
- Use only vendor supplied hardware to assemble. Using unauthorized hardware could jeopardize the structural integrity of the item.

Pre-assembly:



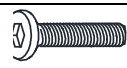


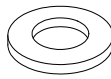
- Remove all parts and hardware from the box and lay out on a clear carpeted or scratch-free work surface, as this will avoid damaging parts during assembly. The shipping box provides an ideal work surface.
- Do not dispose of any packaging or contents of the shipping carton until assembly is completed to avoid accidentally discarding small parts or hardware.
- Use the parts and hardware lists below to identify and separate each of the pieces included.
- The illustrations provided allow for easier assembly when used in conjunction with the assembly instructions.
- The use of power tools to aid in assembly is not recommended. Power tools can damage hardware and split wood.

PARTS INCLUDED:

- (A) Rear Leg Panel – 1pc
- (B) Chair Seat – 1pc
- (C) Left Front Leg – 1pc
- (D) Right Front Leg – 1pc

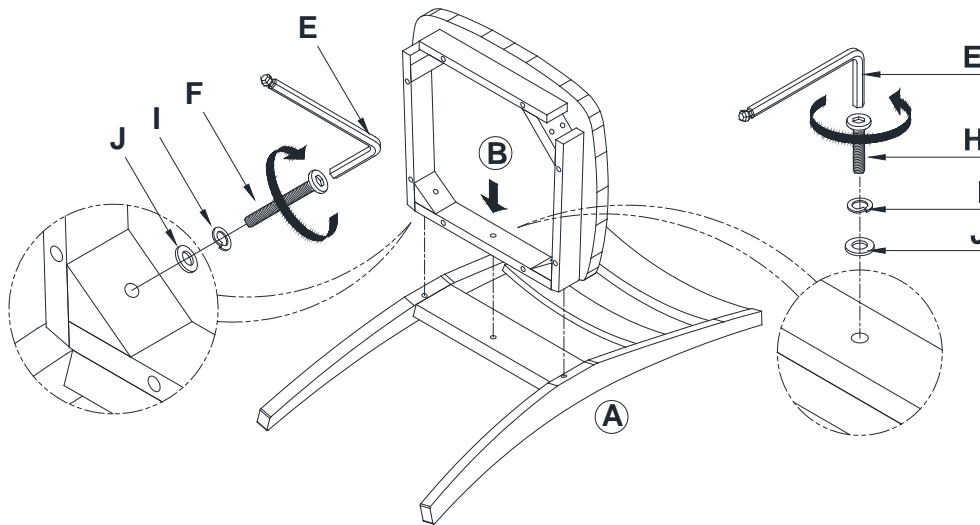


HARDWARE LIST:

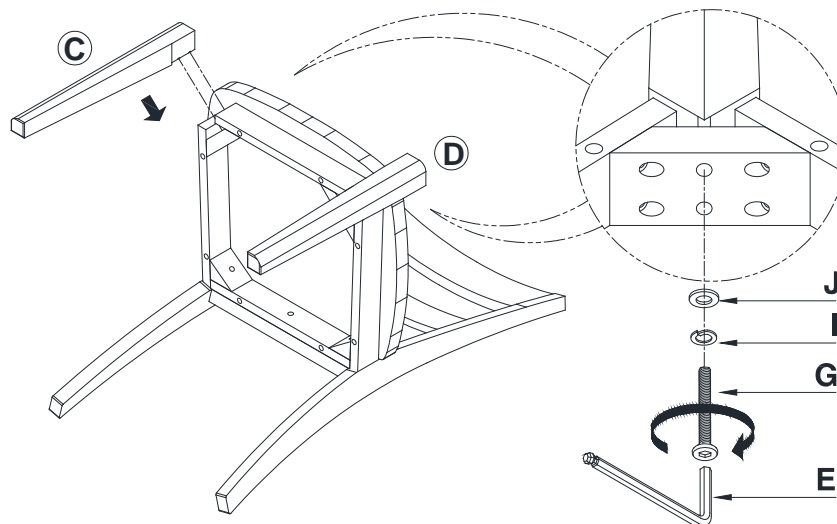
 (E) Allen Key – 1x	 (F) Long Bolt (1/4"x70mm) – 2x	 (G) Medium Bolt (1/4"x51mm) – 4x
 (H) Short Bolt (1/4"x38mm) – 1x	 (I) Spring Washer (1/4") – 7x	 (J) Flat Washer (1/4") – 7x

ASSEMBLY INSTRUCTIONS:

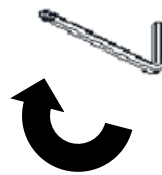
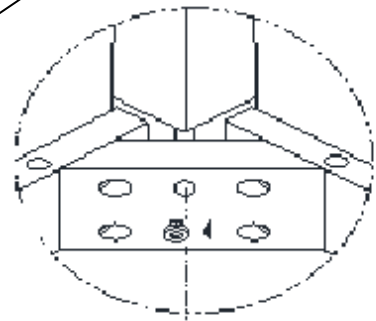
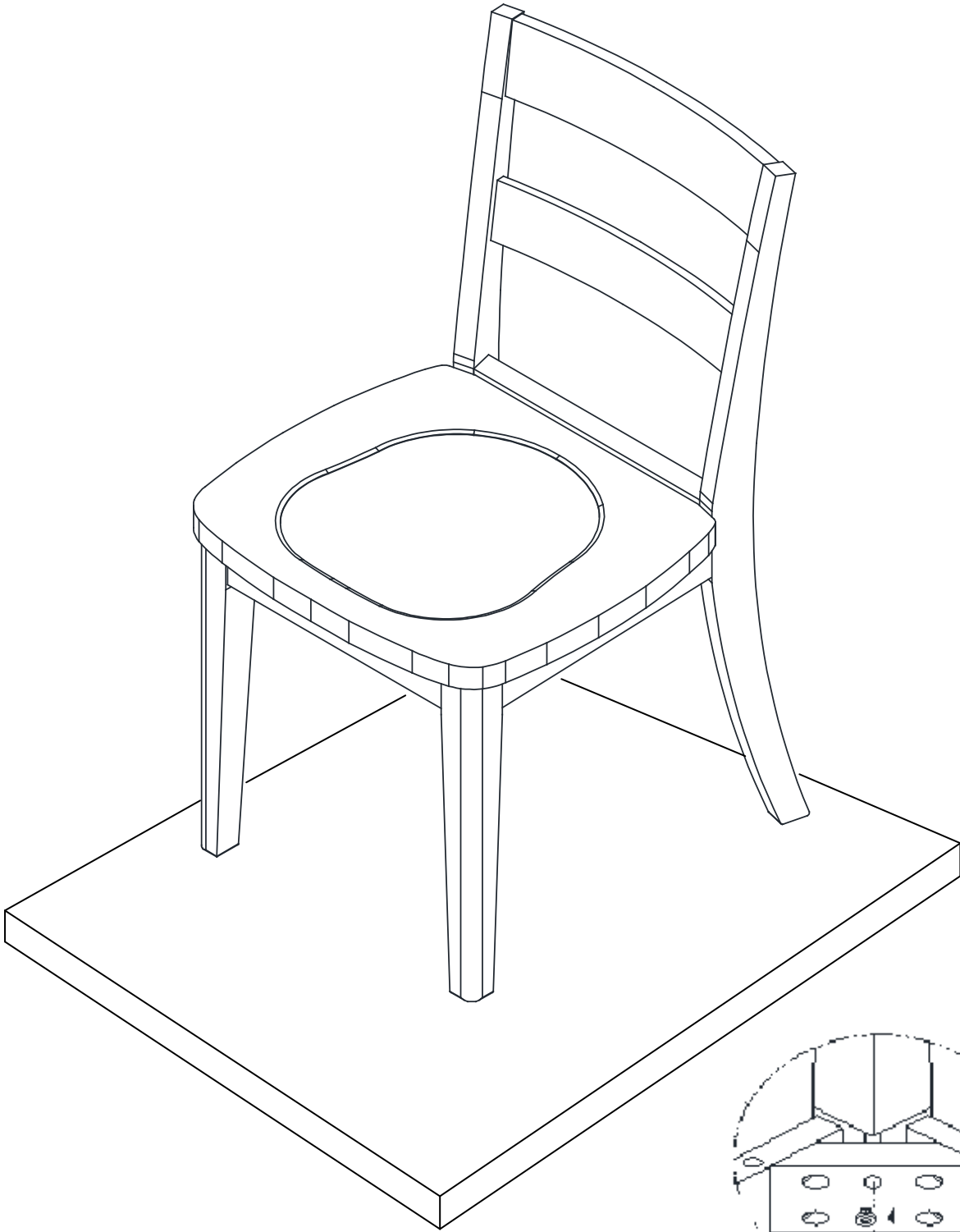
1. Attach Chair Seat (B) to Rear Leg Panel (A) with pre-drilled holes and metal inserts aligned as shown below.
2. Insert a set of Short Bolt (H), Spring Washer (I) and Flat Washer (J) through center hole on the Chair Seat into pre-installed insert located on stretcher of the Rear Leg Panel.
3. Insert 2 sets of Long Bolt (F), Spring Washer (I) and Flat Washer (J) through pre-drilled holes on triangle blocks of the Chair Seat into pre-installed metal inserts located on legs of the Rear Leg Panel.
4. Loosely tighten with Allen Key (E).



5. Attach Left/Right Front Leg (C&D) to the Chair Seat and insert 4 sets of Medium Bolt (G), Spring Washer (I) and Flat Washer (J) to secure as shown below. **NOTE: Do not over tighten**



6. Place the chair on the floor to ensure all legs are secured and stable on the floor and adjust the alignment as needed.
7. Now, tighten up all the connecting bolts.
8. Assembly is complete



Care Instructions:

- Dust often using a clean, soft, dry and lint-free cloth.
- Blot spills immediately and wipe with a clean, damp, cloth.
- We do not recommend the use of chemical cleansers, abrasives or furniture polish on our lacquered finish.
- Hardware may loosen over time. Periodically check to make sure all connections are tight. Re-tighten if necessary.

Thank you for your purchase
Stores | catalog