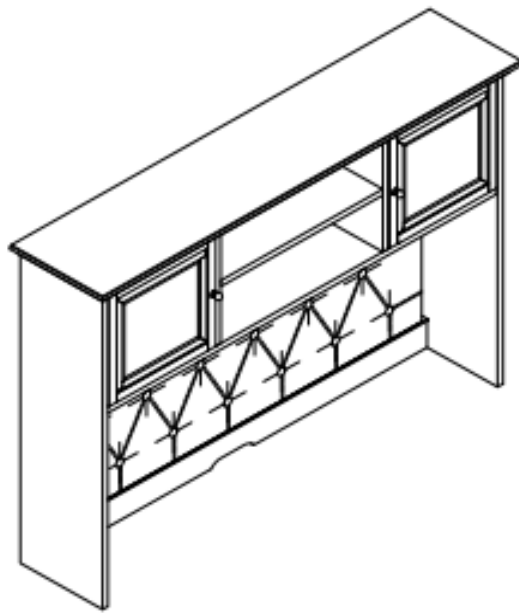




CHELSEA HUTCH
ASSEMBLY INSTRUCTIONS



Important Safety Instructions:

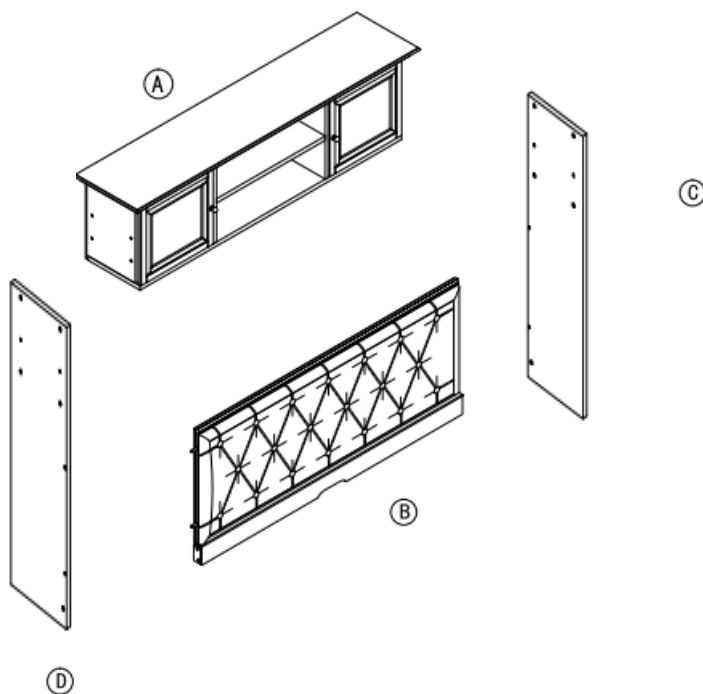
- Please read all instructions carefully before assembling this desk.
- For your safety, assembly by two or more adults is strongly recommended.
- Keep these instructions for future use.
- Use only vendor-supplied hardware to assemble this item. Using unauthorized hardware could jeopardize the structural integrity of the item.

Pre-assembly:

- Remove all parts and hardware from the box. Place all items on a carpeted or scratch-free work surface, as this will avoid damaging parts during assembly. The shipping box provides an ideal work surface.
- To avoid accidentally discarding small parts or hardware, do not dispose of any packaging or contents of the shipping carton until assembly is complete.
- Use the parts and hardware lists below to identify and separate each of the pieces included.
- The illustrations provided allow for easier assembly when used in conjunction with the assembly instructions.
- The use of power tools to aid in assembly is not recommended. Power tools can damage the hardware and split the wood.

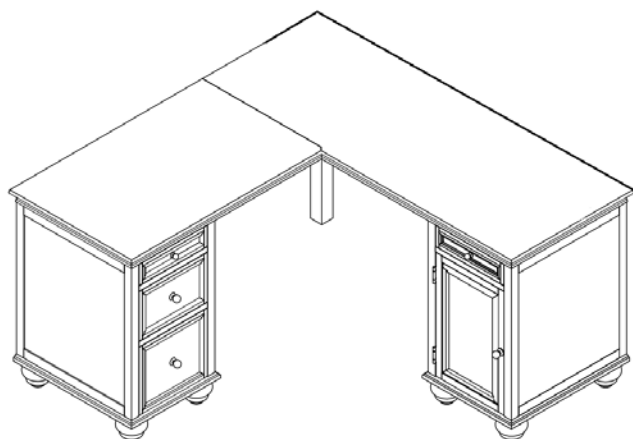
Parts Included:

(A) Upper Case	1x
(B) Pin Board	1x
(C) Right Side Panel	1x
(D) Left Side Panel	1x











Parts required:

(E) Corner desk

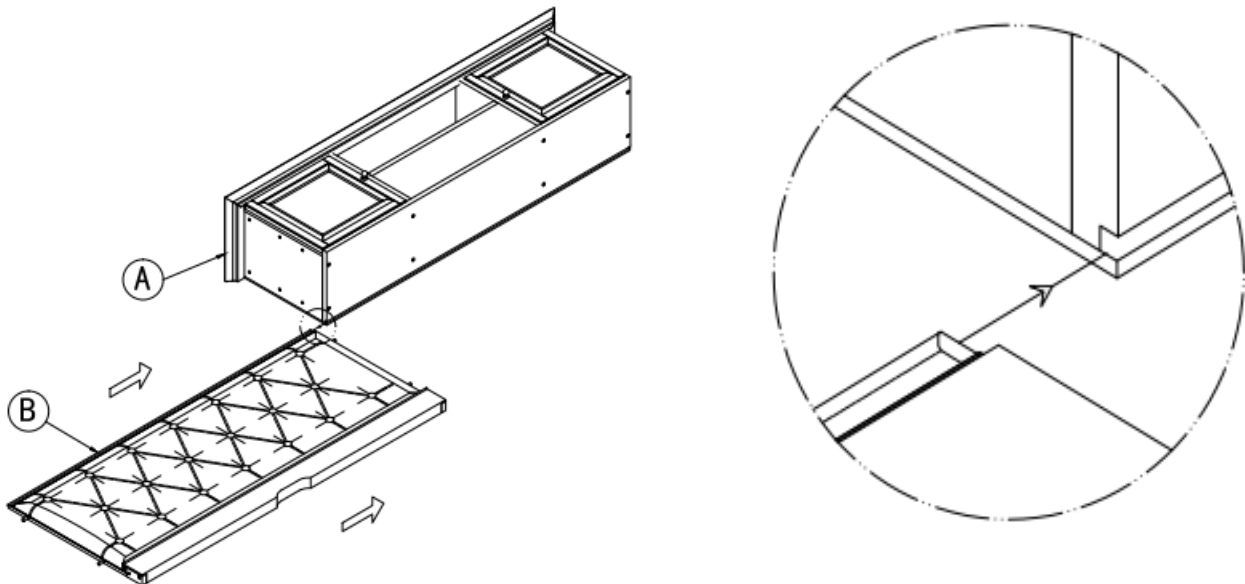


Hardware Enclosed:

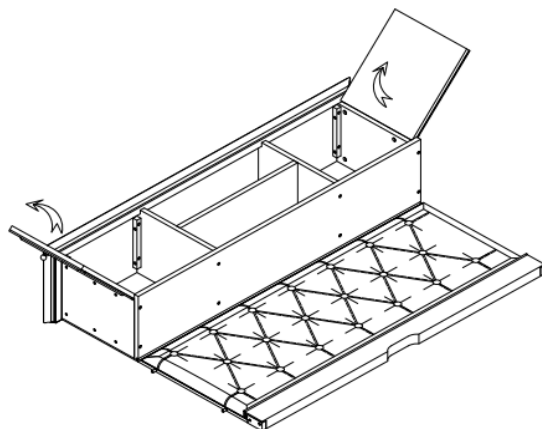
a – Wooden Dowel 0820 	b - Spring Washer 1/4" x Φ11 x 1.2 	c – Flat Washer 1/4" x Φ13 x 1 	d –Bolt 1 1/4" x 1-1/4" 
4x	14x	14x	2x
e – Bolt 2 1/4" x 1" 	f –Mending plate 108*22*3 	g – Bolt 3 1/4" x 5/8" 	h - Allen Key M4 x 110mm x 30 
8x	2x	4x	1x

Assembly Instruction Steps:

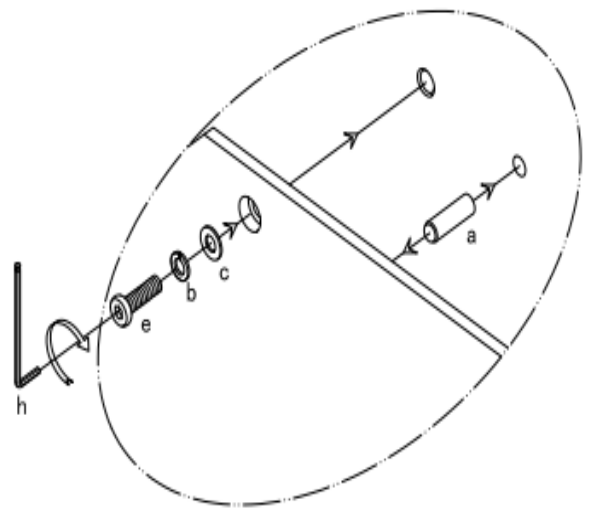
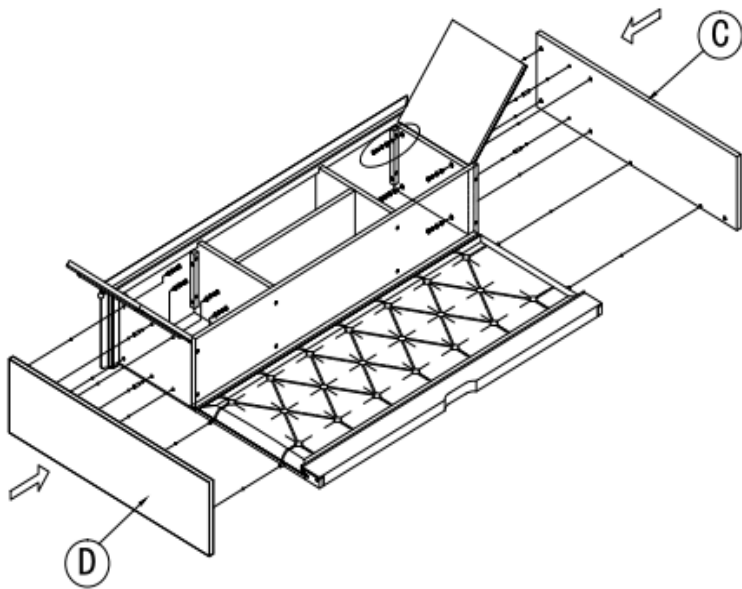
1. Place all parts on a soft, scratch-free surface such as a rug or carpet
2. Insert the Pin Board (B) upper rail to cut out groove of the Upper Case (A) as show blow



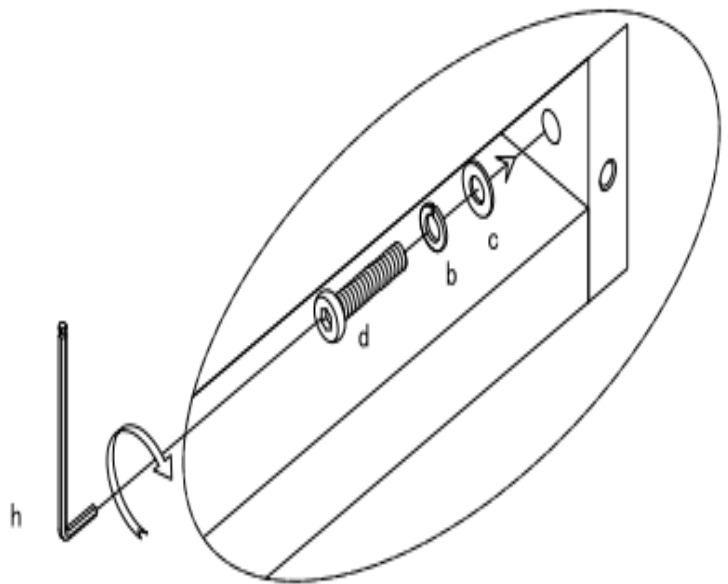
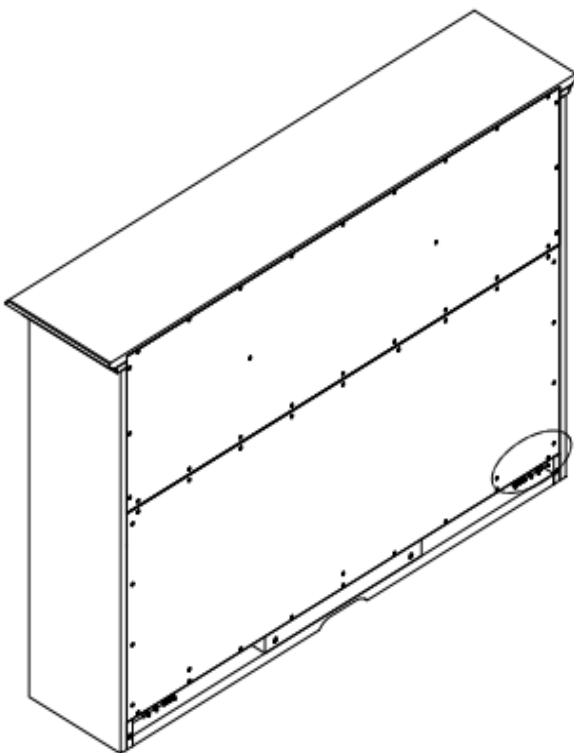
3. Open the door of the upper case (A)



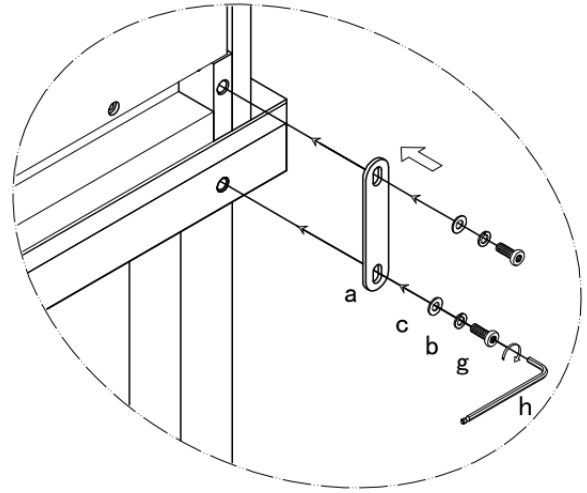
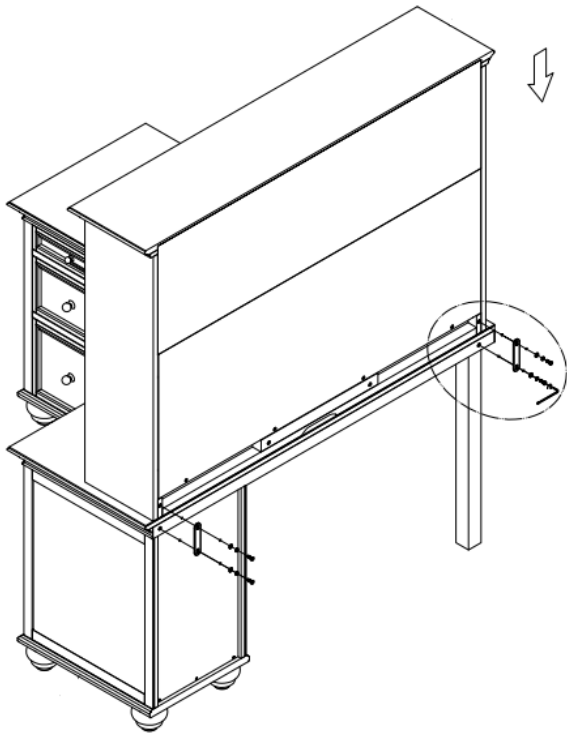
4. Attach the upper case (A), pin board (B) to the Side Panel (C&D). insert 4pcs wooden dowel into the pre-drilled holes on the upper case (A) and side panel (C) and (D). Insert 8 set of bolt 2 (e), Spring Washer (b), Flat Washer (c) and tighten the bolt with Allen key (h)



5. Insert 2 sets of Bolt 1 (d), Spring Washer (b), and Flat Washer (c) into the holes at the back rail of the pin board (B) and side panel (D&C) and tighten the bolt with Allen key (h), as show below



6. If needed, Place Hutch onto Corner Desk.
7. Align the holes on the back of Hutch with the holes on the back of Corner Desk.
8. Insert 4 sets of bolt (g), Spring Washer (b), Flat Washer (c) through the holes of 2pcs metal bracket (f), and to the holes on the back of Hutch and Corner Desk, tighten the bolt with Allen key (h), as show below.



9. Assembly is complete.

10. **NOTE: Installation of the Anti Tip Kit is REQUIRED.** Please follow the separate instructions to secure the Drawer Chest to the wall by using tipping-restraint kit included.

Care Instructions:

- Dust often using a soft, dry, and clean lint-free cloth.
- Blot spills immediately and wipe with a clean, damp cloth.
- We do not recommend the use of chemical cleansers, abrasives, or furniture polish on our lacquered finish.
- Hardware may loosen over time. Periodically check to make sure all connections are tight. Re-tighten if necessary.

Thank you for your purchase
Stores | catalog | www.pbteen.com