



Locker Bookcase

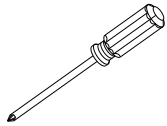
Pre-Assembly:

- Please read all instructions before beginning assembly.
- Two-adult assembly is recommended.
- Save all packing materials until assembly is complete to avoid accidentally discarding smaller parts or hardware.

If using power tools to aid in assembly please use with caution. Power tools can damage hardware.

Note: Do not full tighten all bolts until all parts are in place. Failure to follow these instructions may cause the bolts to misalign during assembly.

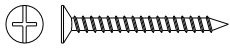
TOOLS REQUIRED:



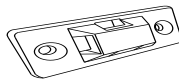
Phillips Head Screwdriver (Not included)

PARTS INCLUDED:

HARDWARE LIST:



a – Stud Mounting Screws – 2pcs



b – Anti-tip Bracket – 1pc



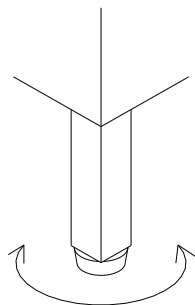
c – Anti-tip Strap – 1pc

Note: All parts and hardware are delivered in one carton.

Assembly Instructions:

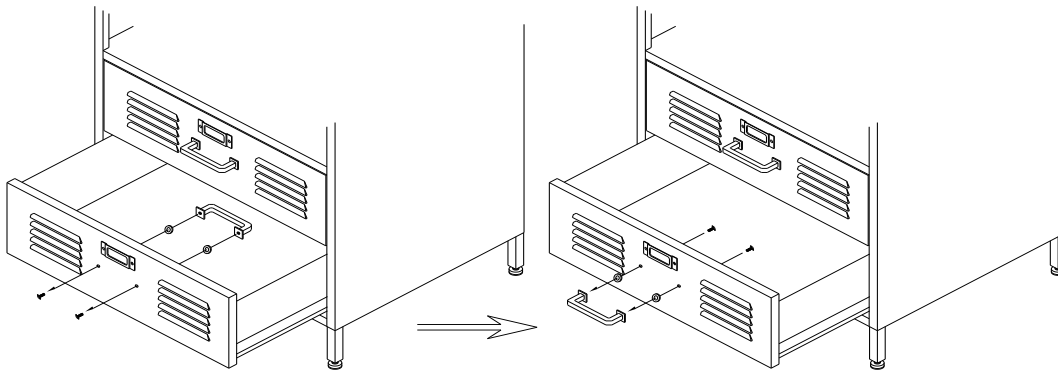
1. Adjustable Levelers have screwed into the legs of Frame. If bookcase is not level you may slowly unscrew the leveler to attain a level position. See Figure 1.

Figure 1



- The handle is pre-assembled on the interior of the drawer. Use a Phillips head screwdriver to unscrew and remove the handle and washers from drawer, then re-attach the washer and handle to the drawer as shown. See Figure 2.

Figure 2



- Note: For safe mounting it is essential to use the proper hardware for your wall type. The included hardware is for drywall or stud mounting only. For other wall types (ie: plaster, concrete, brick...) please consult your local hardware store.

- Turn the bookcase (A) right side up and locate a wall stud behind the furniture. Position the anti-tip bracket (b) on the stud approximately 1" below the top of the furniture. Mark and drill pilot hole into the center of the stud with a 3/32" drill bit. Attach the anti-tip bracket (b) to the stud with the screws (a) provided and tighten with Phillips head screwdriver. See Figure 3.
- Move the furniture into its final position, taking care to line up the anti-tip bracket (b) on the wall with the pre-drilled holes on the back and top of the bookcase(A). Thread the strap (c) through the anti-tip bracket (b) and pre-drilled holes, as shown in the illustration. Tighten the strap (c) until snug. Do not over tighten. See Figure 4.

Figure 3

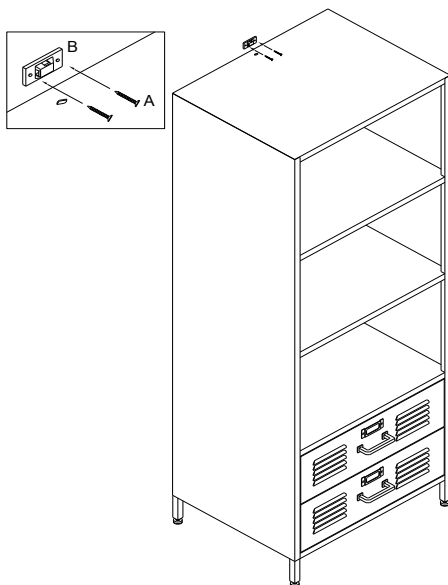
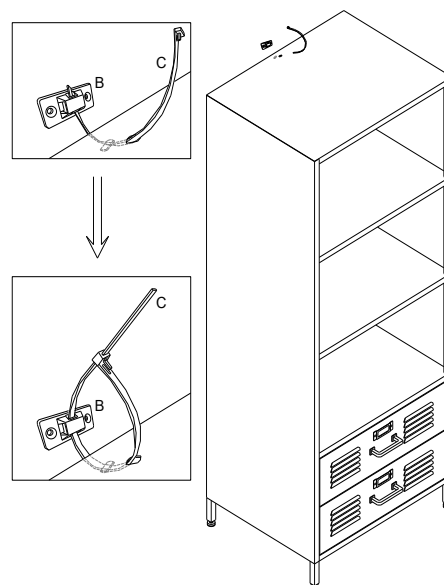


Figure 4



- Assembly is now completed.

Care Instructions:

- Furniture polishes, abrasive cleaner and household cleaners are not recommended for use. Use a slightly damp cloth to clean.
- Dry thoroughly.