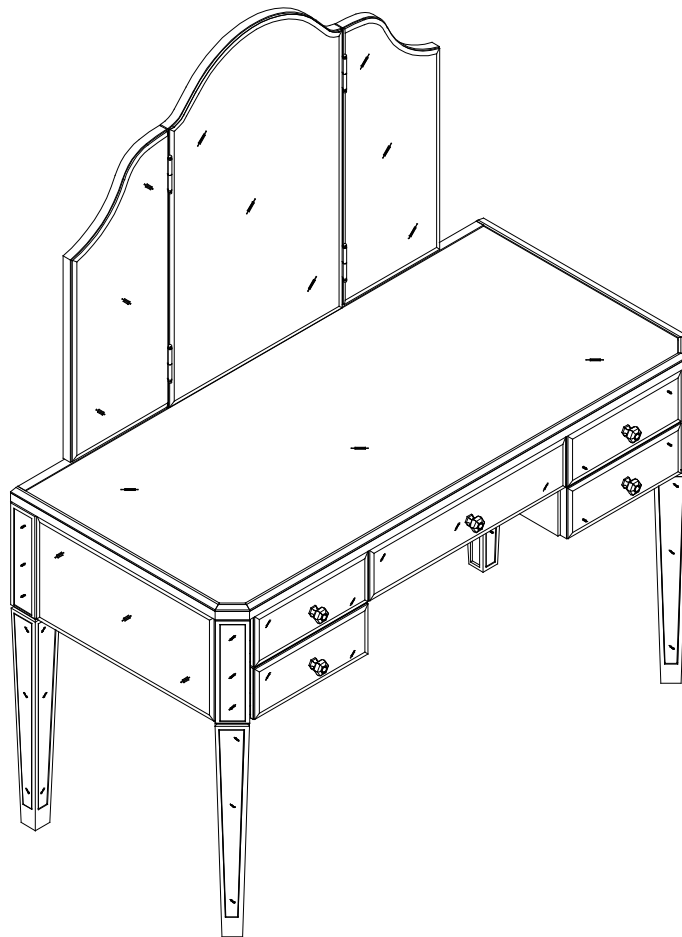


ZOE VANITY MIRROR

ASSEMBLY INSTRUCTION



Important safety instructions:

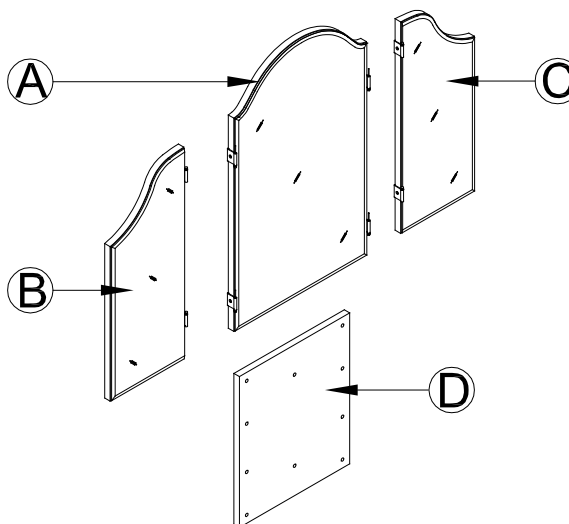
- Please read all all instruction carefully before assembling this vanity mirror.
- For your safety, assembly by two or more adults is strongly recommended.
- Keep these instructions for future use.
- Use only vendor-supplied hardware to assemble this item. Using unauthorized hardware could jeopardize the structural integrity of the item.

Pre- assembly:

- Remove all parts and hardware from the box and place them on a carpeted or scratch-free work surface. The shipping box provides an ideal work surface.
- To avoid accidentally discarding small parts or hardware, please do not dispose of any contents until assembly is complete.
- Two people are recommended for your safety and ease of assembly.
- Prior to starting assembly, use the parts and hardware lists to identify and separate each of the pieces included.
- The illustrations provided allow for easier assembly when used in conjunction with the assembly instructions.
- Note: Do not fully tighten any of the bolts until all parts are in place. Failure to follow these instructions may cause the bolts to misalign during assembly.
- Please use caution if using power tools to aid in assembly. Power tools can damage the hardware or split the wood.

Parts included:

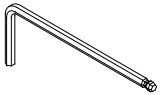
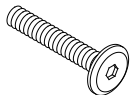


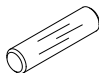
- A – Middle Mirror (x1)
- B – Left Side Mirror (x1)
- C – Right Side Mirror (x1)
- D– Connection Panel (x1)



Parts required (not included):

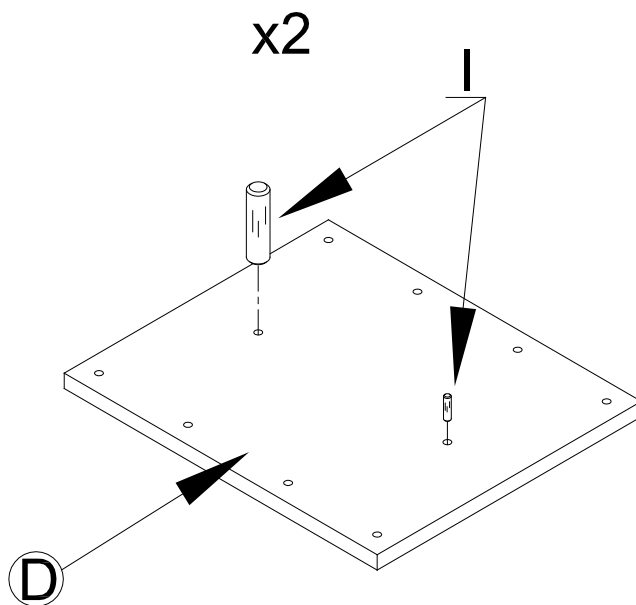
Zoe Vanity Desk (x1)

Hardware included:

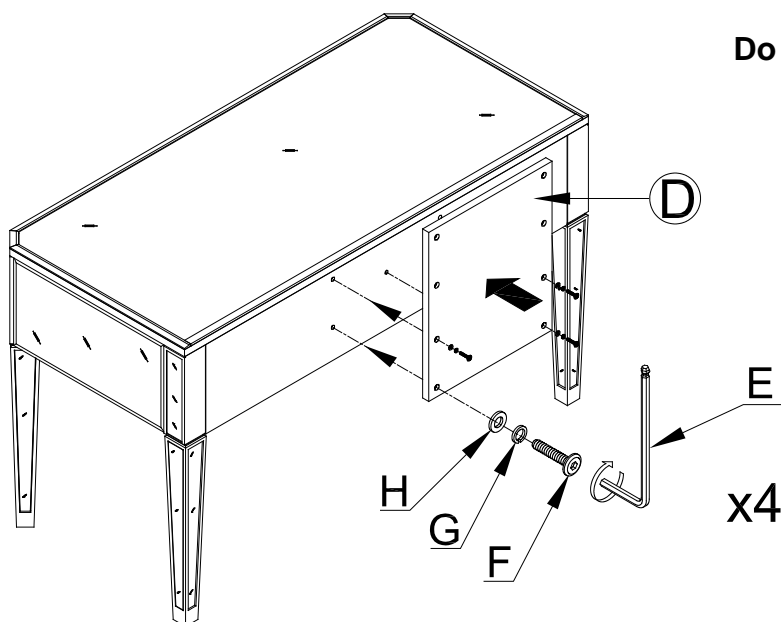
E – Allen Key	F – Allen Bolt	G – Spring Washer	H – Flat Washer	I – Wooden Dowel
 4 x95 x30 (mm)	 1/4" x 28 xΦ13 (mm)	 1/4"x10xΦ1.5(mm)	 1/4"x12xΦ1.5(mm)	 8x25(mm)
1pc	8pcs	8pcs	8pcs	2pcs

Assembly instruction steps:

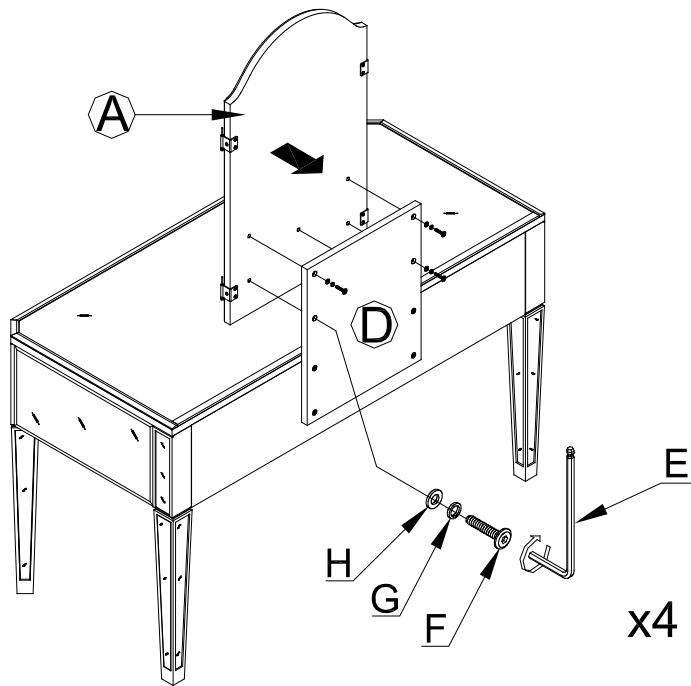
1. Insert 2 Wooden Dowels (J) through the holes on the Connecting Panel (D), as shown in the illustration below.



2. Attach the Connecting Panel (D) to the Desk (E) by aligning the Wooden Dowels to the Connecting Panel (D) with the pre-drilled holes on the back panel of Desk (E).
3. Secure with 4 sets of Allen Bolt (G), Spring Washer (H), and Flat Washer (I) through the holes on the Connecting Panel (D) to the pre-fixed insert nuts on the back panel of Desk (E), as seen in the illustration below.
4. Tighten the Bolts with Allen Key (F), but do not over tighten.

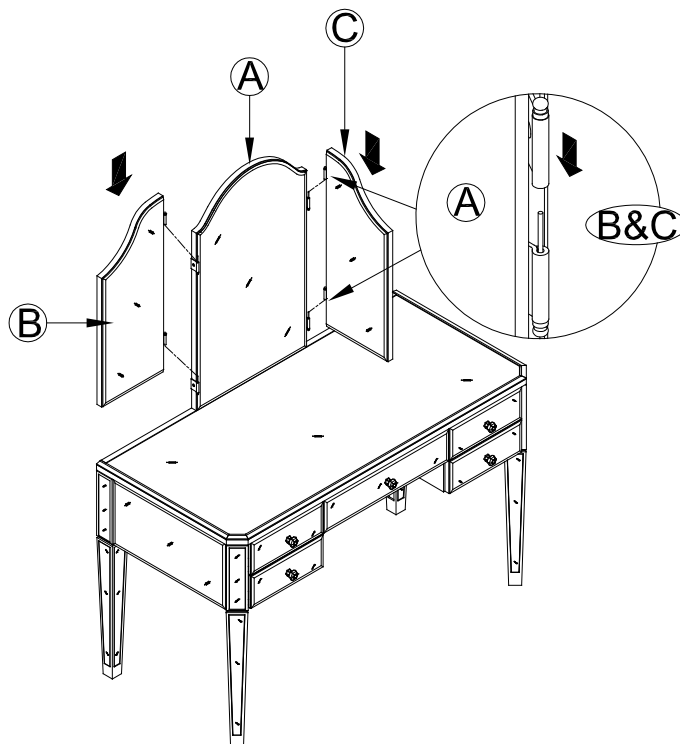


5. Put the Middle Mirror (A) upright on the desk and against the Connecting Panel (D), as seen in the illustration below.
6. Secure Mirror (A) to the Connecting Panel (D) by inserting 4 sets of Allen Bolt (G), Spring Washer (H), and Flat Washer (I) through the holes on the Connecting Panel (D) to the pre-fixed insert nuts on the back of Middle Mirror (A).
7. Tighten all the bolts with Allen Key (F), but do not over tighten.



Do not over tighten

8. Attach the Left and Right Side Mirrors (B&C) to the sides of Middle Mirror (A) by sliding the pre-attached hinge on the side Mirrors (B&C) into the pre-attached hinge on the Middle Mirror (A), as seen in the illustration below.



9. Assembly is complete.

Care instructions:

- Dust often using a clean, soft, dry, and lint-free cloth.
- Blot spills immediately and wipe with a clean, damp cloth.
- We do not recommend the use of chemical cleansers, abrasives, or furniture polish on our lacquered finish.
- Hardware may loosen over time. Periodically check to make sure all connections are tight.
Re-tighten if necessary.