



Peg Shelf 3FT

Mounting Instruction

PARTS INCLUDED:

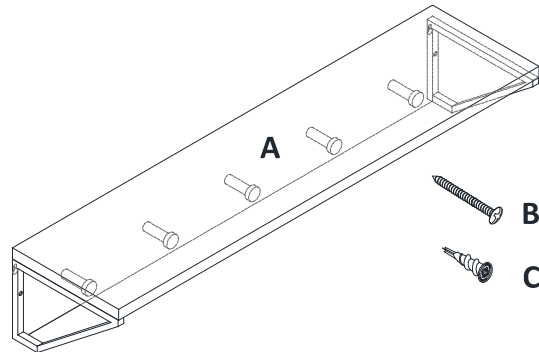
A. (1) Shelf

HARDWARE:

B. (4) Mounting Screws

C. (4) Drywall Anchors
Mounting Template

Note: The provided mounting hardware is meant for drywall and stud construction only. For other wall types, please consult your local hardware store for assistance in selecting the appropriate hardware.



Tools Required: Phillips Screwdriver, Level, Pencil, Stud-Finder

WARNING! Do not mount this item above cribs, beds, or changing tables.
Maximum total weight capacity for this product is 60 pounds (27.2 Kg),
(5 pounds (2.3 Kg) maximum per hook).

MOUNTING INSTRUCTIONS:

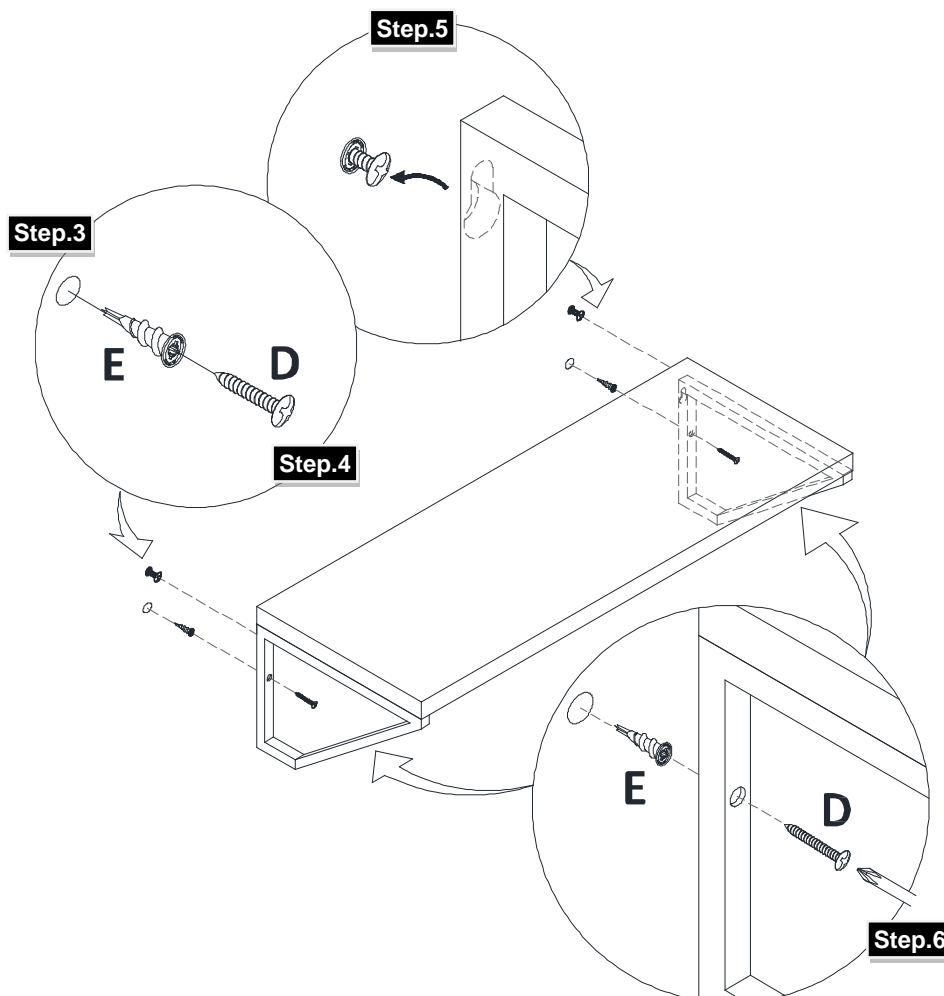
We have included a paper mounting template for you to easier locate the insertion points of the mounting hardware on the wall. Do not discard the paper template while you opening the carton.

1. Position the provided paper template on wall at a desired location of the Peg Rack. Use a level to ensure that the template is level and then secure it to the wall using tape or tacks. Use a sharp pencil to mark on the wall by piercing the template at the four insertion points (the black dots shown on the template, like below). Remove the template from the wall. The mounting hardware will be installed at these marks.



2. The provided anchors cannot penetrate wood studs. Therefore we have to find out if either mark of Step #1 happens to align with a wall stud (use a stud finder to determine this). If either does, do not use an anchor at that mark (let's call it stud mark) – you will only install a mounting screw there. Refer to Step #4 & Step #6 about the screw installations.
3. For marks that do not align with a wall stud, first install an anchor at each mark. To install the anchor, use a Phillips screwdriver to engage an anchor and then position the anchor tip against the wall at the mark. Rotate the anchor clockwise as you firmly push it into the wall. The anchor will drive itself into the wall when you rotate it clockwise, while applying an even pressure. Continue rotating until the anchor's head becomes even with the wall surface. Do not over-tighten. Repeat for the other anchors at non-stud marks.
4. At the two UPPER insertion points on the wall, use the screwdriver to secure a provided screw into either the installed anchor or directly the wall (stud mark). Rotate each screw clockwise until the screw head resides about 3/8 inch from the wall. DO NOT secure any screw into any LOWER installed anchor or stud mark... yet.

5. With the help of another person, lift the item against the wall and engage the two keyholes on the back of the item with the protruding screw heads. Make sure each keyhole engages with its screw in place so that the item is properly supported by the screws. Meanwhile the two straight holes on the front of the item should also align with the two LOWER insertion locations.
6. Now use the remaining two screws to further secure the item on the wall through the straight holes located at the left & right metal bars. Inset the screw through the hole and into either an install anchor or stud mark. Use the screwdriver to rotate the screws until tight.



CARE INSTRUCTIONS:

- Wipe with a soft, dry or slightly damp cloth.
- To protect the finish, do not apply household cleaners or abrasives.

Thank you for your purchase!

www.pbteen.com