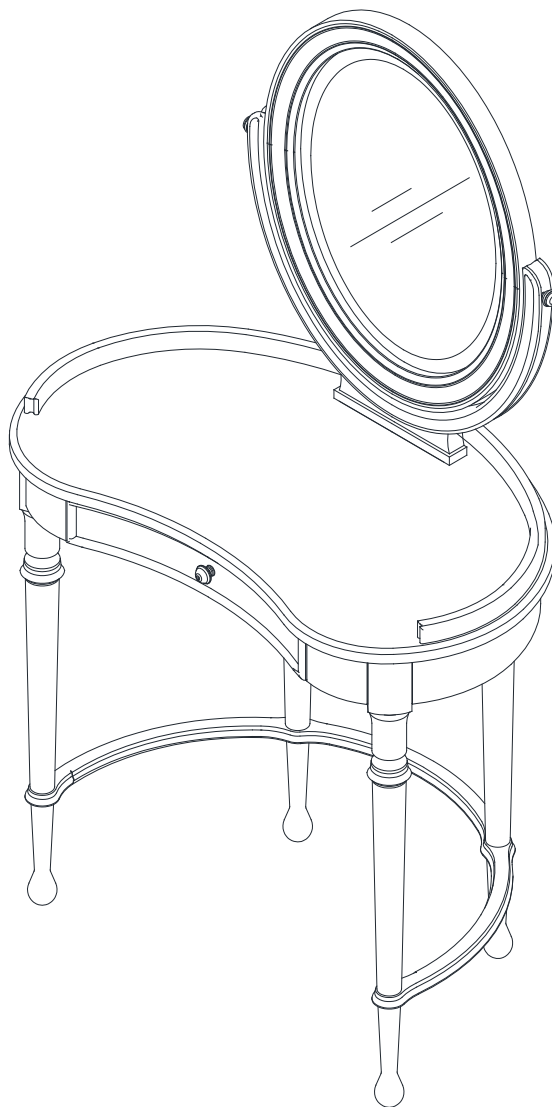




LUCY VANITY

ASSEMBLY INSTRUCTIONS



Important Safety Instructions:

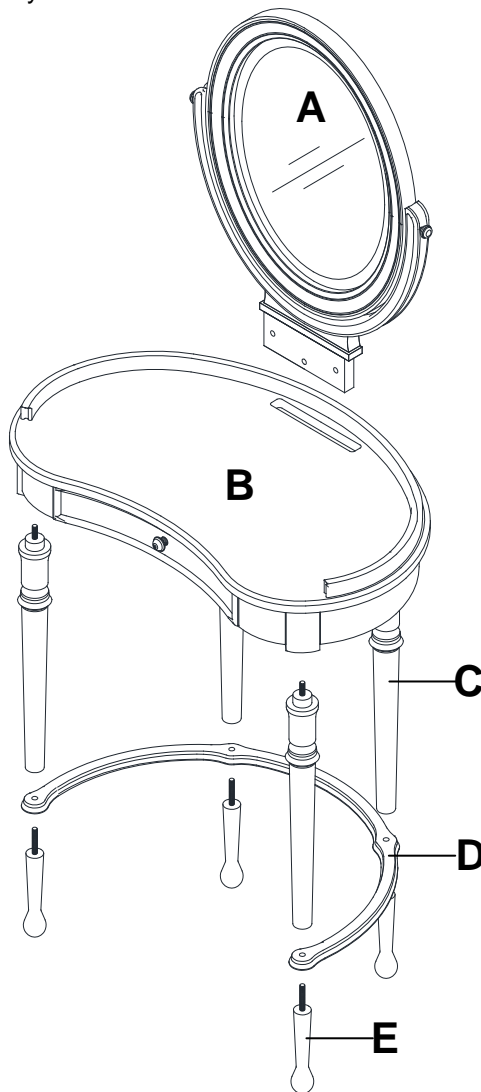
- Please read all instructions carefully before assembling.
- For your safety, assembly by two or more adults is strongly recommended.
- Keep instructions for future use.
- Use only vendor supplied hardware to assemble. Using unauthorized hardware could jeopardize the structural integrity of the item.

Pre-assembly:





- Remove all parts and hardware from the box and lay out on a clear carpeted or scratch-free work surface, as this will avoid damaging parts during assembly. The shipping box provides an ideal work surface.
- Do not dispose of any packaging or contents of the shipping carton until assembly is completed to avoid accidentally discarding small parts or hardware.
- Use the parts and hardware lists below to identify and separate each of the pieces included.
- The illustrations provided allow for easier assembly when used in conjunction with the assembly instructions.
- The use of power tools to aid in assembly is not recommended. Power tools can damage hardware and split wood.

Parts Included:

- (A) Mirror frame - 1 pc
- (B) Top table - 1 pc
- (C) Top leg - 4 pcs
- (D) Stretcher - 1 pc
- (E) Bottom leg - 4 pcs

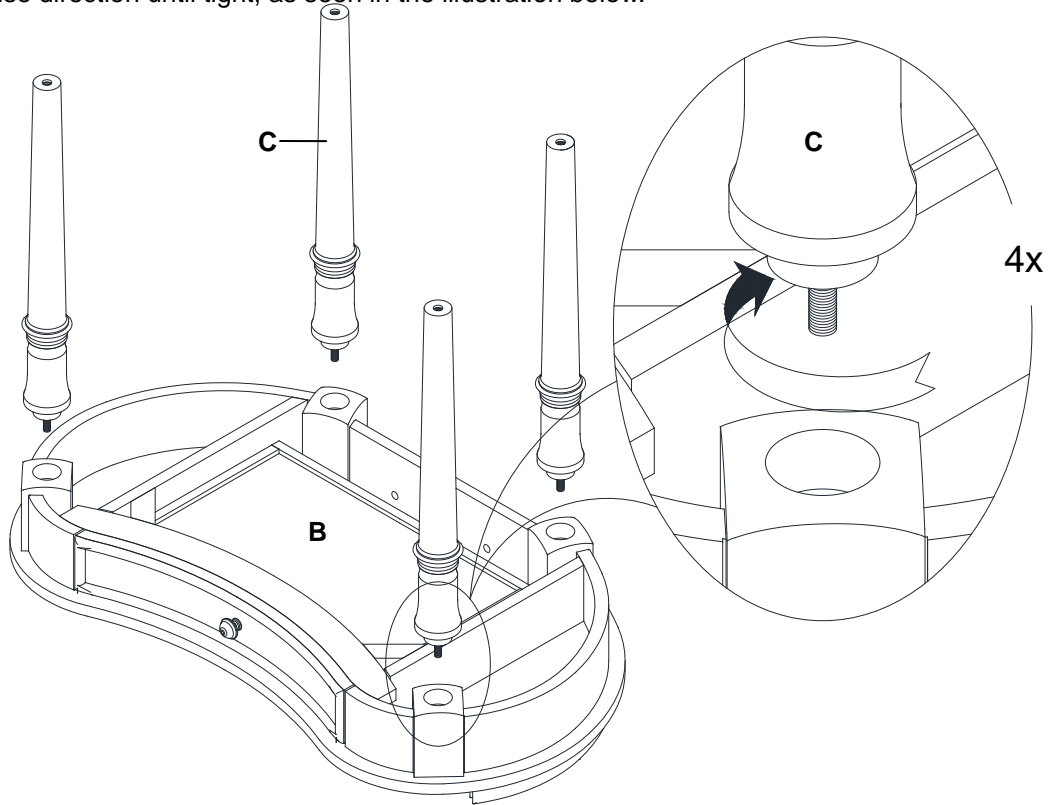


Hardware Included:

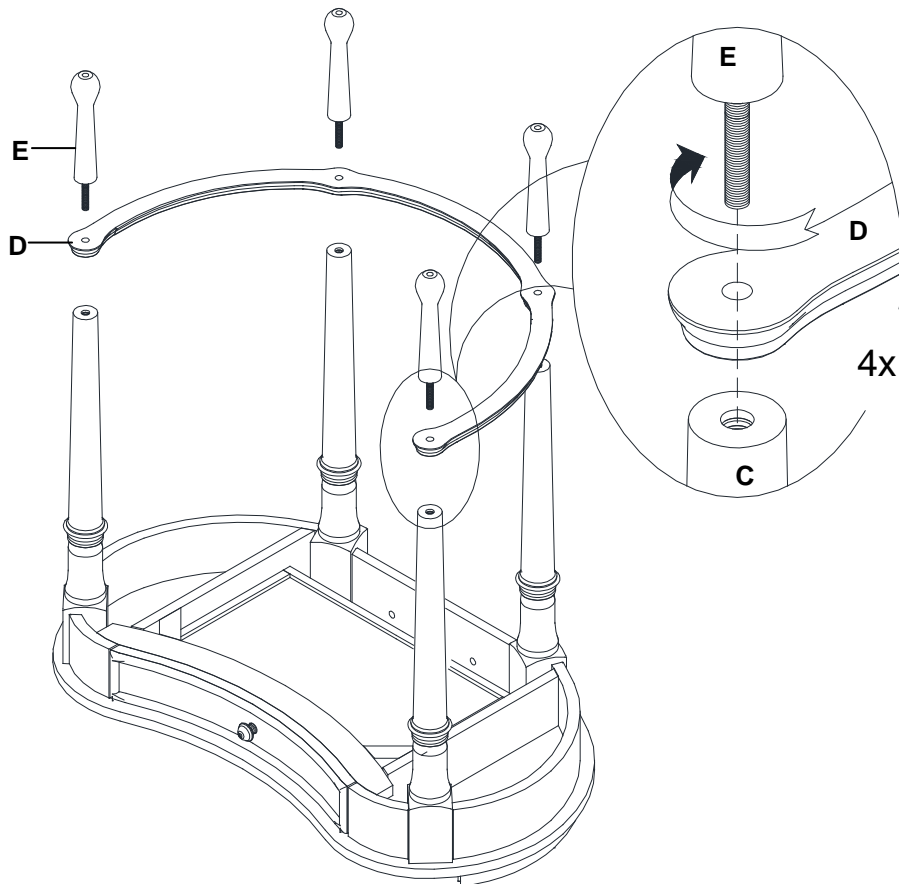
(F) Bolt M6x38mm – 3x 	(G) Lock washer – 3x 	(H) Flat washer – 3x 	(I) Allen key 4mm – 1x 
--	---	--	---

Assembly Instruction Steps:

1. Lay the Top table (B) down into soft surface. Thread the 4 Top legs (C) into the bottom of the Top table (B) in a clock-wise direction until tight, as seen in the illustration below.

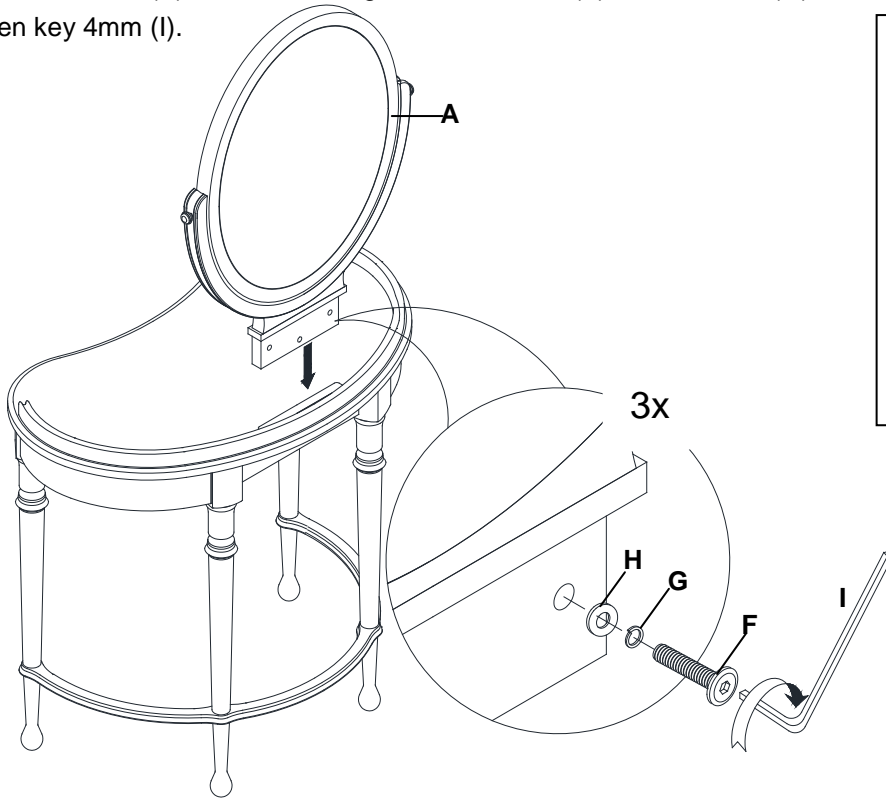





2. Slowly place the Stretcher (D) on the Top legs.
3. Make sure pre_drilled holes in the Stretcher and metal insert in the top legs in 1 line.
4. Attach Bottom leg (E) through each pre-drilled hole in sstretcher into metal insert in Top legs.



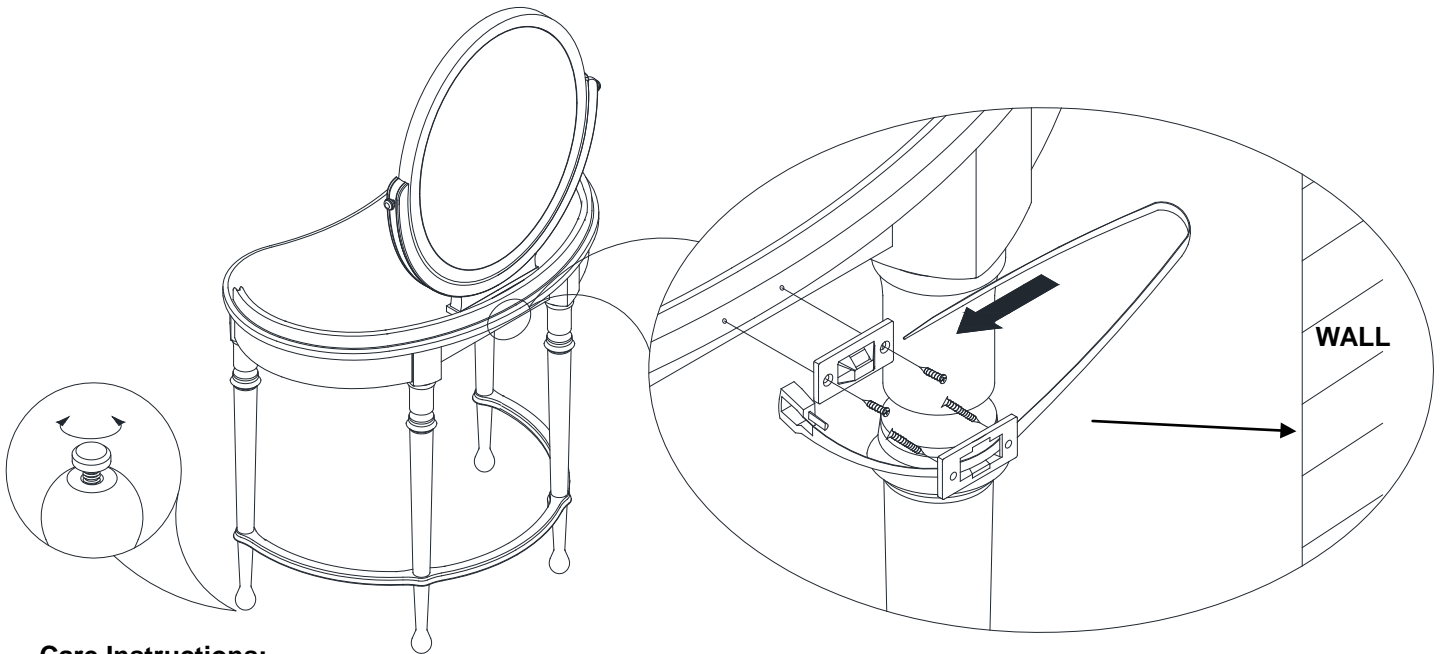
5. Slowly turn the table upright.

6. Assembly Mirror frame (A) with table Bolt M6x38mm (F), lock washer (G) and flat washer (H). Tighten all bolts by allen key 4mm (I).



-  (F) Bolt M6x38mm – 3x
-  (G) Lock washer– 3x
-  (H) Flat washer– 3x

7. If the vanity doesn't sit level, please adjust the levelers under legs. As a safety precaution, please follow the separate instruction enclosed to secure this Desk to the wall using a anti tip kit. For the position of Anti tip kit, please refer to below illustration.



Care Instructions:

- Dust often using a clean, soft, dry and lint-free cloth.
- Blot spills immediately and wipe with a clean, damp, cloth.
- We do not recommend the use of chemical cleansers, abrasives or furniture polish on our lacquered finish.
- Hardware may loosen over time. Periodically check to make sure all connections are tight.
Re-tighten if necessary.

www.pbteen.com

Date: 2014 – May-10

Rev:

Page 4 of 4