



Locker Under Bed Storage

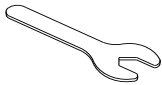
Pre-Assembly:

- Please read all instructions before beginning assembly.
- Two-adult assembly is recommended.
- Save all packing materials until assembly is complete to avoid accidentally discarding smaller parts or hardware.

If using power tools to aid in assembly please use with caution. Power tools can damage hardware.

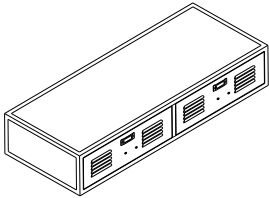
Note: Do not full tighten all bolts until all parts are in place. Failure to follow these instructions may cause the bolts to misalign during assembly.

TOOLS REQUIRED:



Open Wrench

PARTS INCLUDED:



A – Storage – 1pc

HARDWARE LIST:



a – Caster without Brake – 2pcs



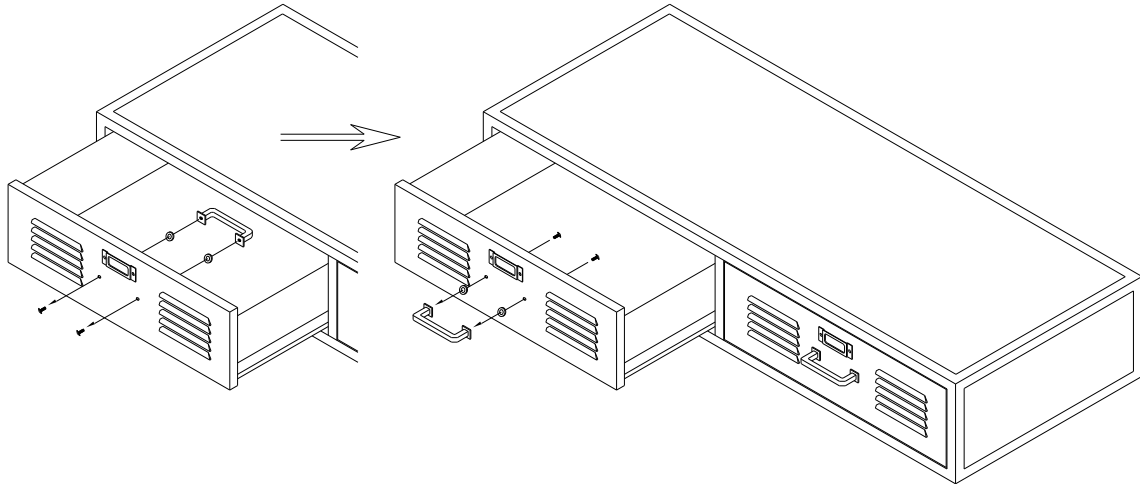
b – Caster with Brake – 2pcs

Note: All parts and hardware are delivered in one carton.

Assembly Instructions:

1. The handle is pre-assembled on the interior of the drawer. Use a Phillips head screwdriver to unscrew and remove the handle and washers from drawer, then re-attach the washer and handle to the drawer as shown. See Figure 1.

Figure 1



2. Carefully lay down the storage (A) on a carpet or scratch-free surface. Attach the caster (a & b) to the corner of storage bottom as shown, tighten the caster with open wrench. See Figure 2

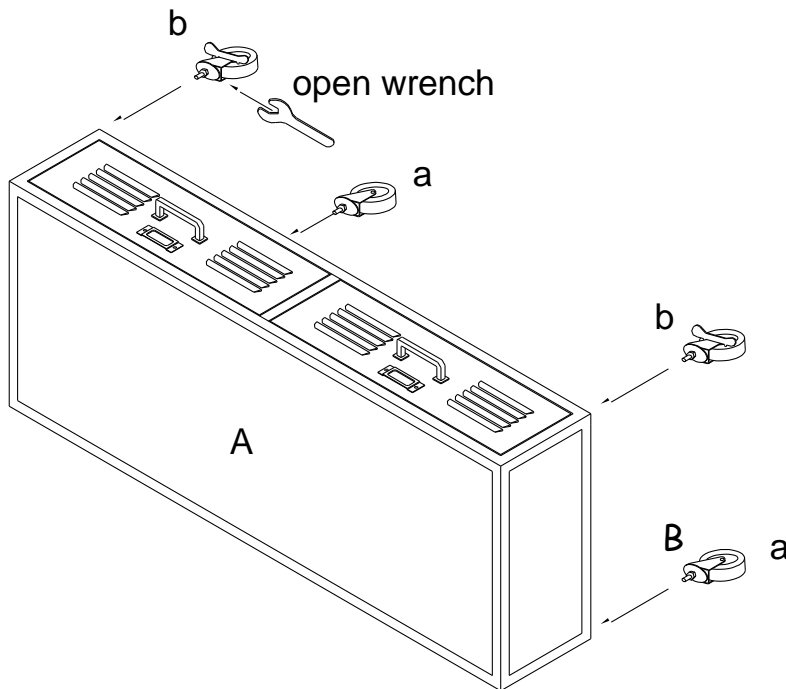


Figure 2

3. Assembly is now completed.

Care Instructions:

- Furniture polishes, abrasive cleaner and household cleaners are not recommended for use. Use a slightly damp cloth to clean.
- Dry thoroughly.