

GLAM VANITY STOOL

Important Safety Instructions:

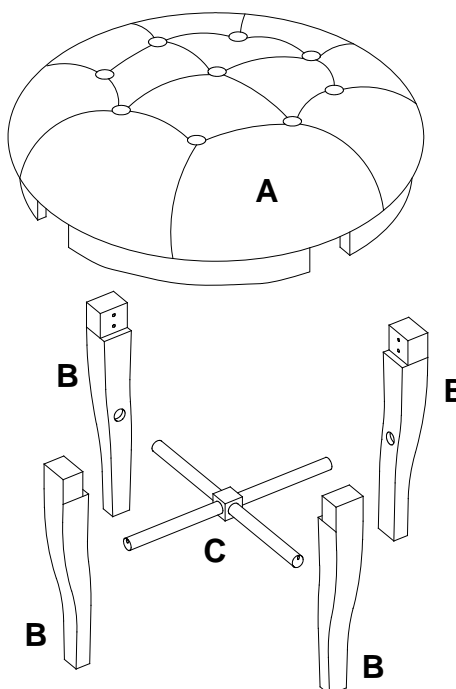
- Please read all instructions carefully before assembling.
- For your safety, assembly by two or more adults is strongly recommended.
- Keep instructions for future use.
- Use only vendor supplied hardware to assemble. Using unauthorized hardware could jeopardize the structural integrity of the item.

Pre-assembly:

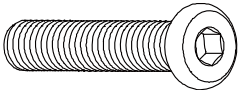
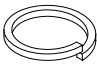
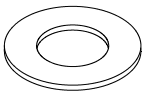
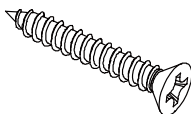
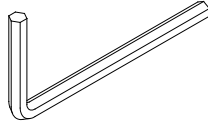
- Remove all parts and hardware from the box and lay out on a clear carpeted or scratch-free work surface, as this will avoid damaging parts during assembly. The shipping box provides an ideal work surface.
- Do not dispose of any packaging or contents of the shipping carton until assembly is completed to avoid accidentally discarding small parts or hardware.
- Use the parts and hardware lists below to identify and separate each of the pieces included.
- The illustrations provided allow for easier assembly when used in conjunction with the assembly instructions.
- The use of power tools to aid in assembly is not recommended. Power tools can damage hardware and split wood.

Parts Included:

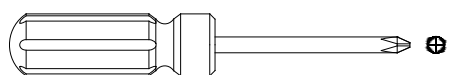
- (A) Seat 1x
- (B) Leg 4x
- (C) Strut 1x



Hardware Included:

(D) Bolt	(E) Spring Washer	(F) Flat Washer	(G) Screw	(H) Allen Key
				
Dia. 1/4*1-1/2" 8 x	8 x	8 x	M4*40mm 4pc	1pc

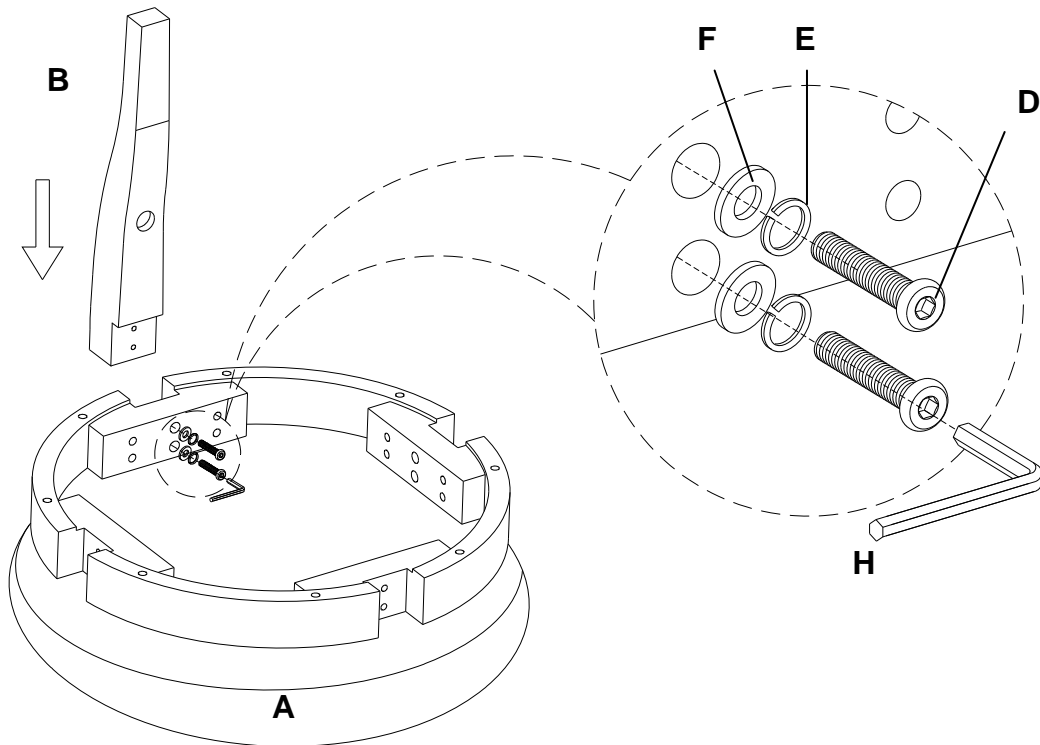
Tools Required (not included):



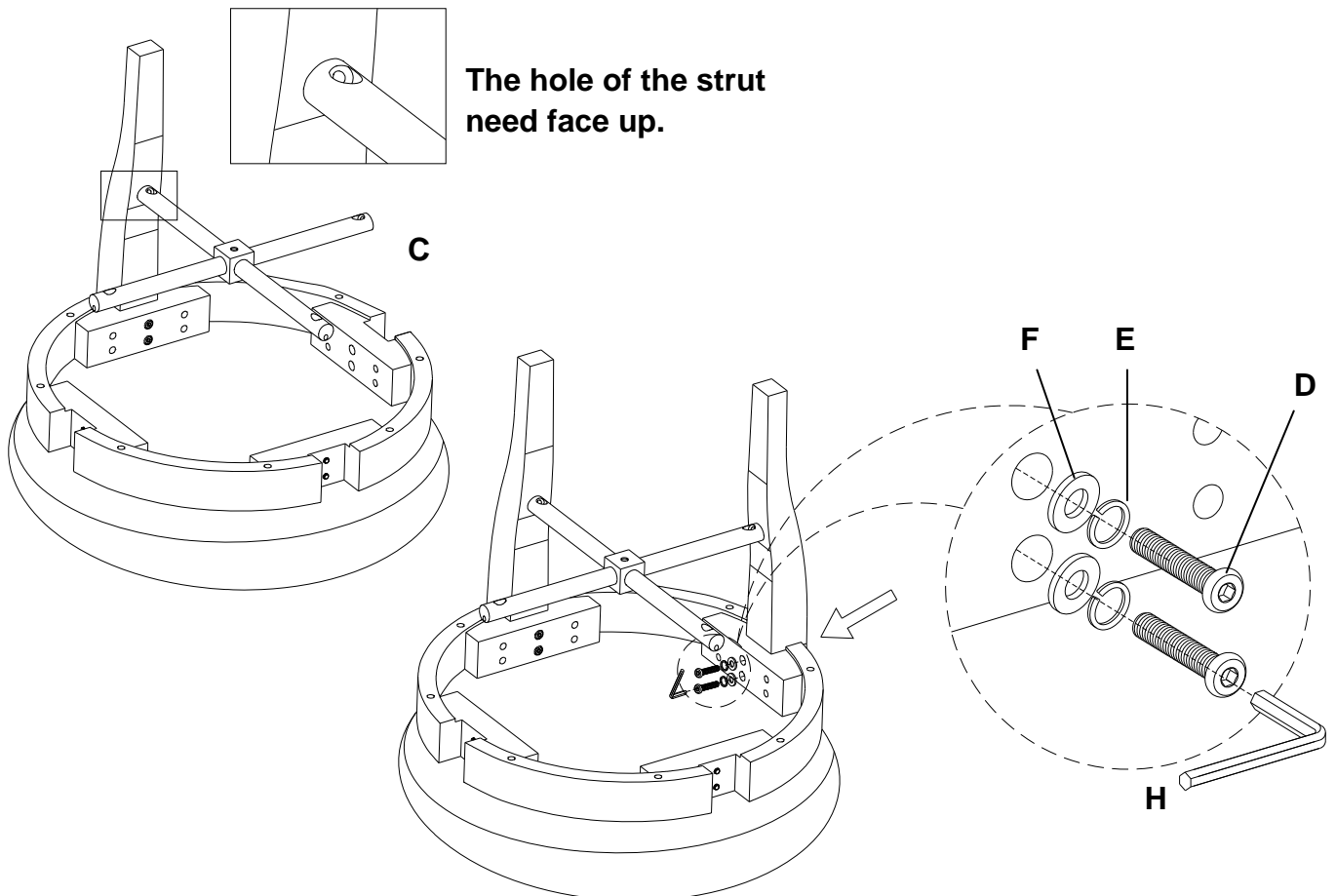
Philips Head Screwdriver

Assembly Instruction Steps:

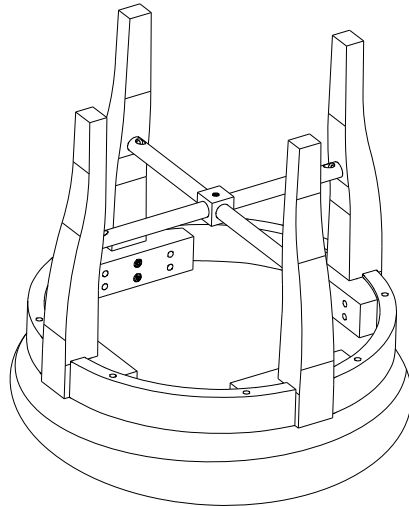
1. Attach the leg (B) to bottom of seat (A) using bolt (D), spring washer (E) and flat washer (F), slightly tighten the bolt with Allen key (H), do not tighten up.



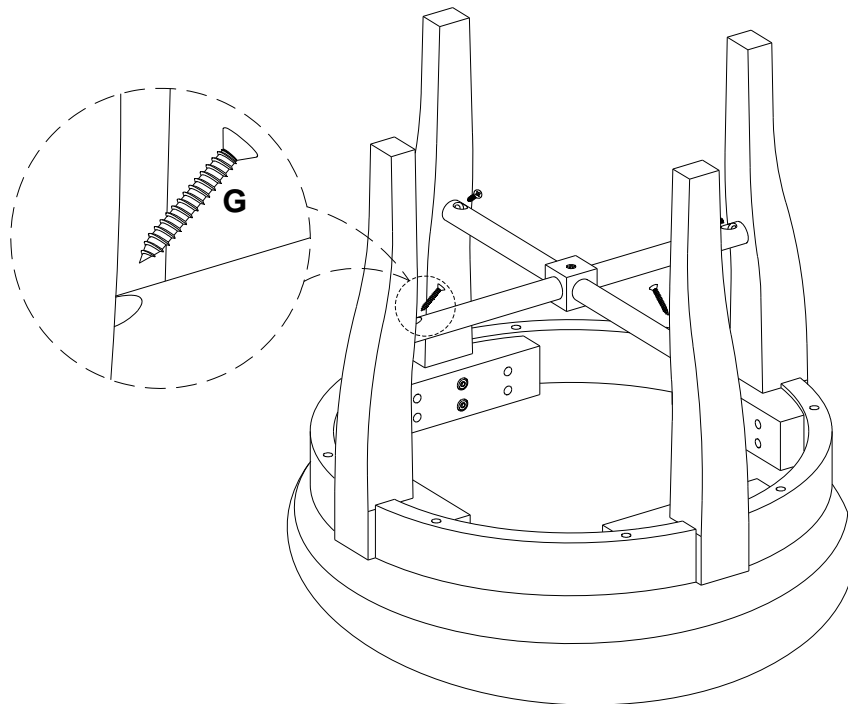
2. Insert the strut (C) into the hole of installed leg (B). NOTE: The hole of the strut need face up. Attach another leg (B) to bottom of seat (A) using bolt (D), spring washer (E) and flat washer (F), slightly tighten the bolt with Allen key (H), do not tighten up.



3. Repeat the step for other legs and then tighten up all bolts.



4. Insert Screws (G) to the strut holes, tighten by Philips Head Screwdriver. Turn the stool upright. Assembly is complete.



Care Instructions:

- Avoid placing furniture in direct sunlight which will cause fading of the fabric.
- Clean your upholstery/fabric frequently to prevent dust and other debris becoming embedded into the fabric. To perform regular cleaning you can use your vacuum with a soft brush attachment.
- Clean up spills as soon as they happen to avoid damage. Blot the spill with a clean absorbent cloth starting from the center and working out to the edges. Do not rub, as this will only spread the stain. If you are having difficulty removing stains on the fabric, it is recommended that you have it professionally dry cleaned.
- We do not recommend the use of chemical cleansers, abrasives or furniture polish on our product.
- Hardware may loosen over time. Periodically check to make sure all connections are tight. Re-tighten if necessary.

Thank you for your purchase
Stores | catalog