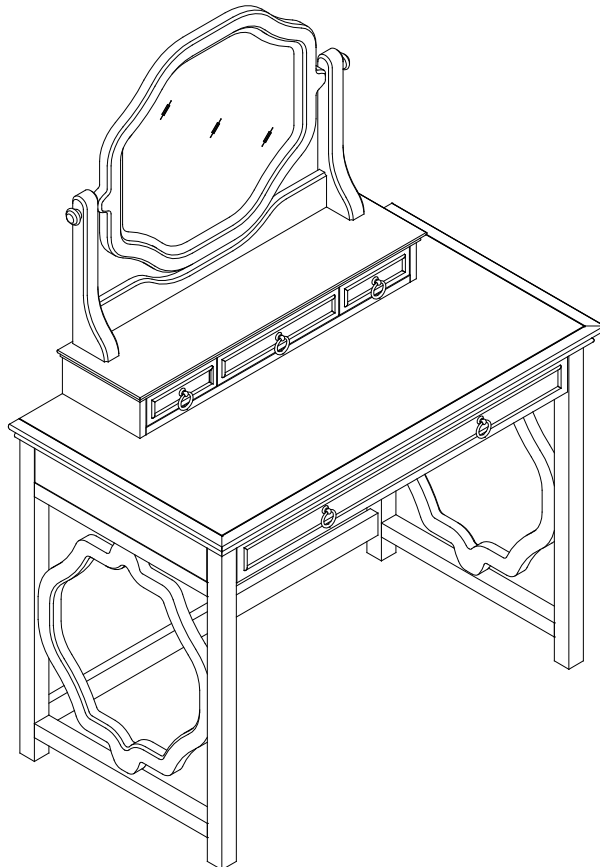


Elsie Desk Mirror

ASSEMBLY INSTRUCTION



IMPORTANT SAFETY INSTRUCTIONS:

- Please read all instructions carefully before assembling this bed.
- For your safety, assembly by two or more adults is strongly recommended.
- Keep these instructions for future use.
- Use only vendor-supplied hardware to assemble this item. Using unauthorized hardware could jeopardize the structural integrity of the item.

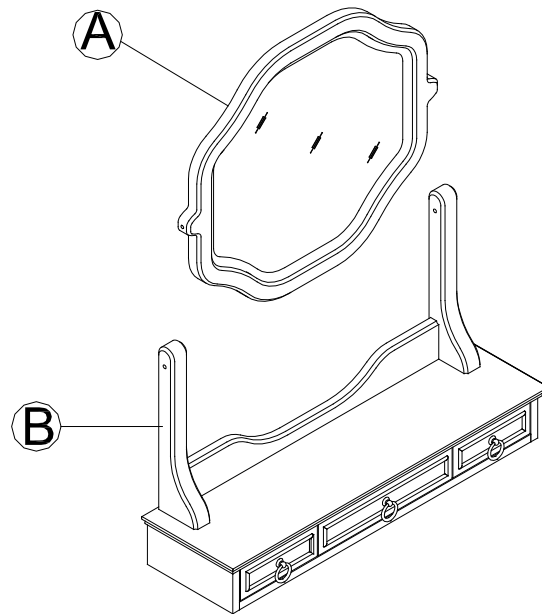
PRE- ASSEMBLY:

- Remove all parts and hardware from the box. Place them on a carpeted or scratch-free work surface, as this will avoid damaging parts. The shipping box provides an ideal work surface.
- To avoid accidentally discarding small parts or hardware, please do not dispose of any contents until assembly is complete.
- Two people are recommended for your safety and ease of assembly.
- Prior to starting this assembly, use the parts and hardware lists to identify and separate each of the pieces included.
- The illustrations provided allow for easier assembly when used in conjunction with the assembly instructions.
- Note: Do not fully tighten any of the bolts until all parts are in place. Failure to follow these instructions may cause the bolts to misalign during assembly.
- Please use caution if using power tools to aid in assembly. Power tools can damage the hardware or split the wood.



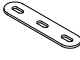

Part included:

A – Mirror (x1)

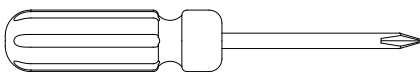
B – Hutch (x1)



Hardware included:

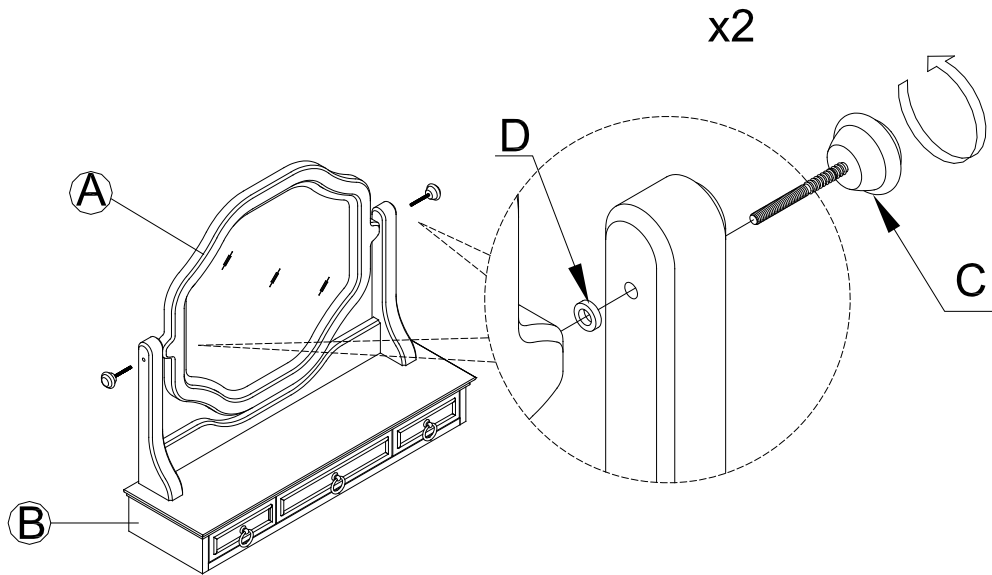
C – Connector Knob with Bolt	D – Plastic Flat Washer	E – Mending Plate	F – Bolts for Mending Plate
			
1/4" x Φ34 x 76mm	1/4" x Φ13.5 x 3mm	85 x 19 x 2mm	5/32" x 12 x mm
2pcs	2pcs	2pcs	6pcs

Phillips Head Screwdriver (Not Included)

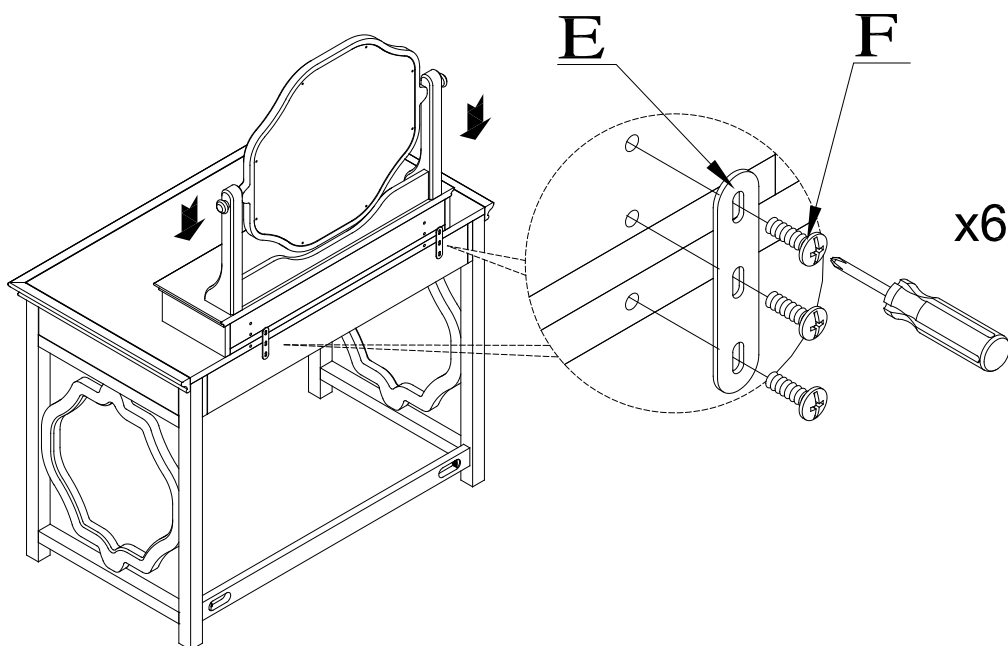


Assembly:

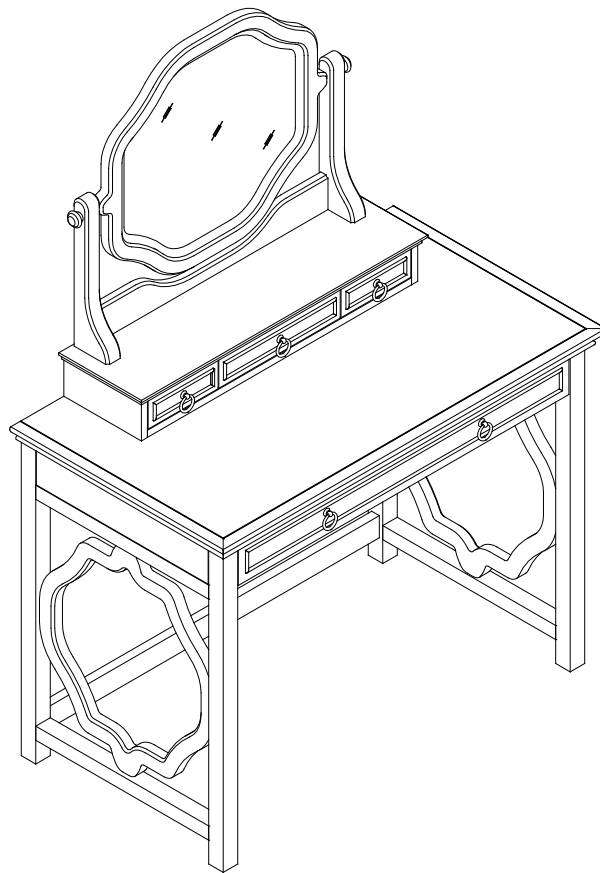
1. Lay the Hutch (B) down on a soft, scratch-free surface such as a rug or carpet. Attach the Mirror (A) to the Hutch (B) by inserting Connector Knob with Bolt (C) from the outer pre-drilled hole of the Hutch (B) followed with Plastic Flat Washer (D) on the inner pre-drilled hole of the Hutch (B) as seen in illustration below. Tighten by turning the Plastic Flat Washer (D) clockwise and the Connector Knob with Bolt (C) anti-clockwise manually.



2. Carefully place assembled Desk Mirror on Desk (sold separately). Align threaded inserts at the back of Desk Mirror and Desk, Attach the two with Mending plates (E) on the aligned pre-drilled holes and secure by inserting the Bolt for Mending Plate (F) and tighten with Phillip screw driver.



3. Assembly is completed.



Care Instructions:

- Avoid direct sunlight and excessive temperatures.
- Dust often using a clean, soft, dry, and lint-free cloth.
- Slightly moisten cloth with water. A damp cloth holds dust and prevents scratching.
- Waxing is not recommended on lacquered finish.