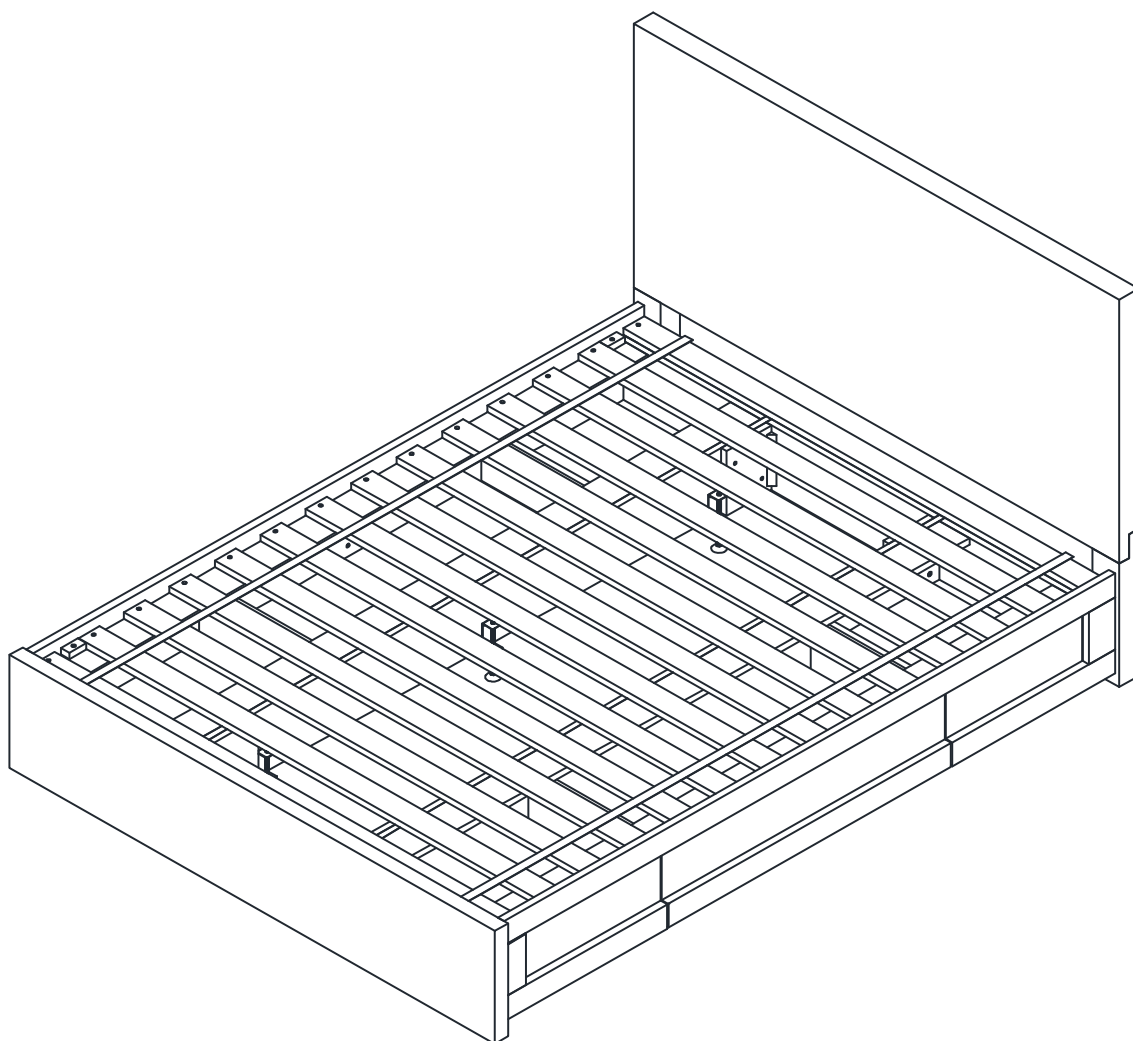


DOVER STORAGE BED QUEEN/FULL

ASSEMBLY INSTRUCTIONS

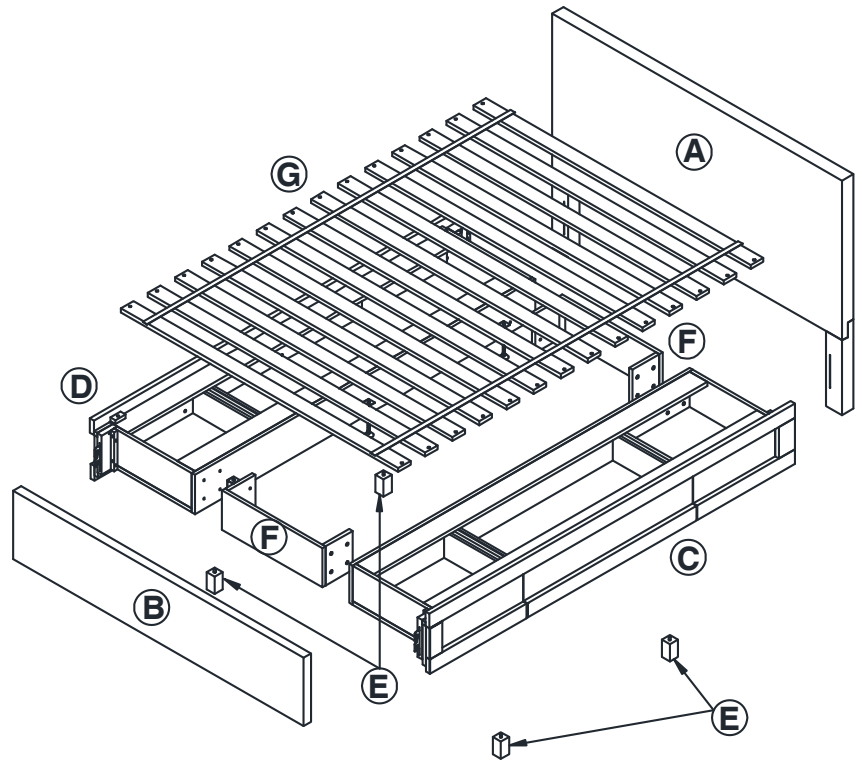




DOVER STORAGE BED QUEEN/FULL

PARTS INCLUDED:

- (A) Dover Classic Headboard – 1pc
- (B) Footboard – 1pc
- (C) Right Side Storage Unit – 1pc
- (D) Left Side Storage Unit – 1pc
- (E) Support Foot – 4pc
- (F) Bracket – 2pc
- (G) Slat Roll – 1pc



TOOLS REQUIRED:






Philips Screwdriver (Not included)



Flat Head Screwdriver (Not included)



HARDWARE LIST:

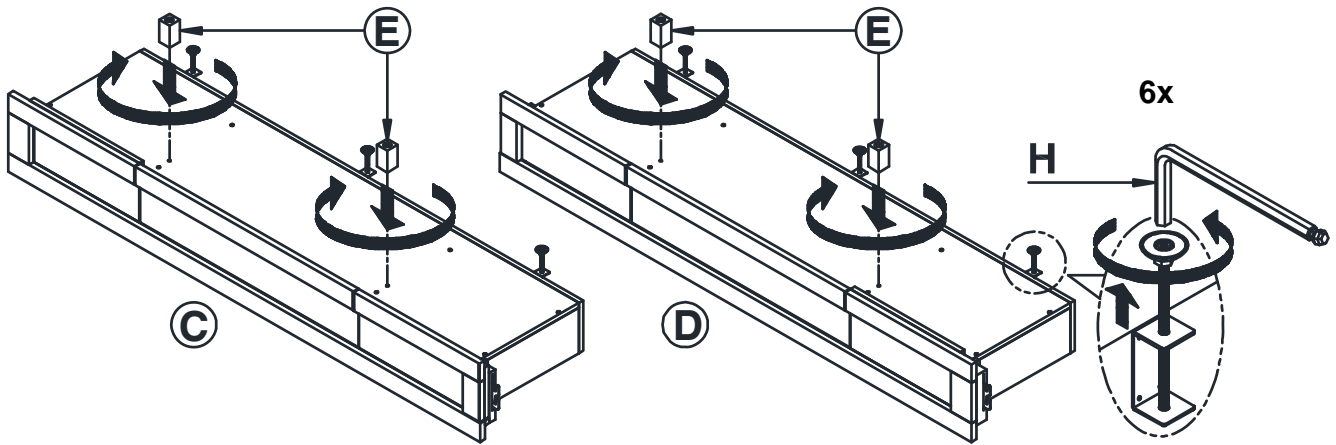
 (H) Allen Key – 1x	 (I) Bolt (1/4"x32mm) – 16x	 (J) Spring Washer (1/4") – 16x
 (K) Flat Washer (1/4") – 16x	 (L) Wood Screw (4x30mm) – 28x	

PRE-ASSEMBLY:

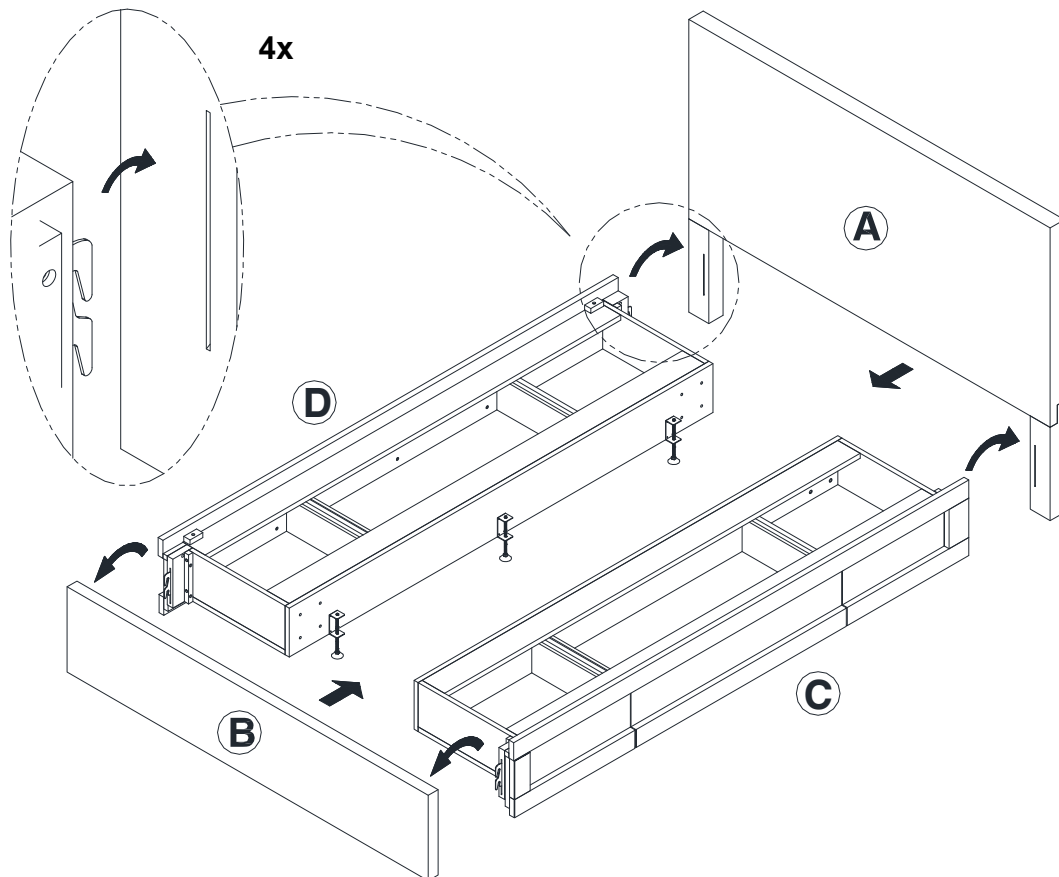
- For your safety and ease, assembly by two adults is recommended.
- Please read all instructions before beginning assembly. The illustrations provided allow for easier assembly when used in conjunction with the assembly instructions.
- Remove all parts and hardware from box and lay out on a carpeted or scratch-free work surface. The shipping box provides an ideal work surface. Do not dispose of any contents until assembly is completed to avoid accidentally discarding small parts or hardware.
- Use the parts and hardware lists to identify and separate each of the pieces included prior to starting assembly.
- Note: DO not fully tighten the bolts until all parts are in place. Failure to follow these instructions may cause the bolts to misalign during assembly.
- Do not use power drill as it may cause cracking.

ASSEMBLY INSTRUCTIONS:

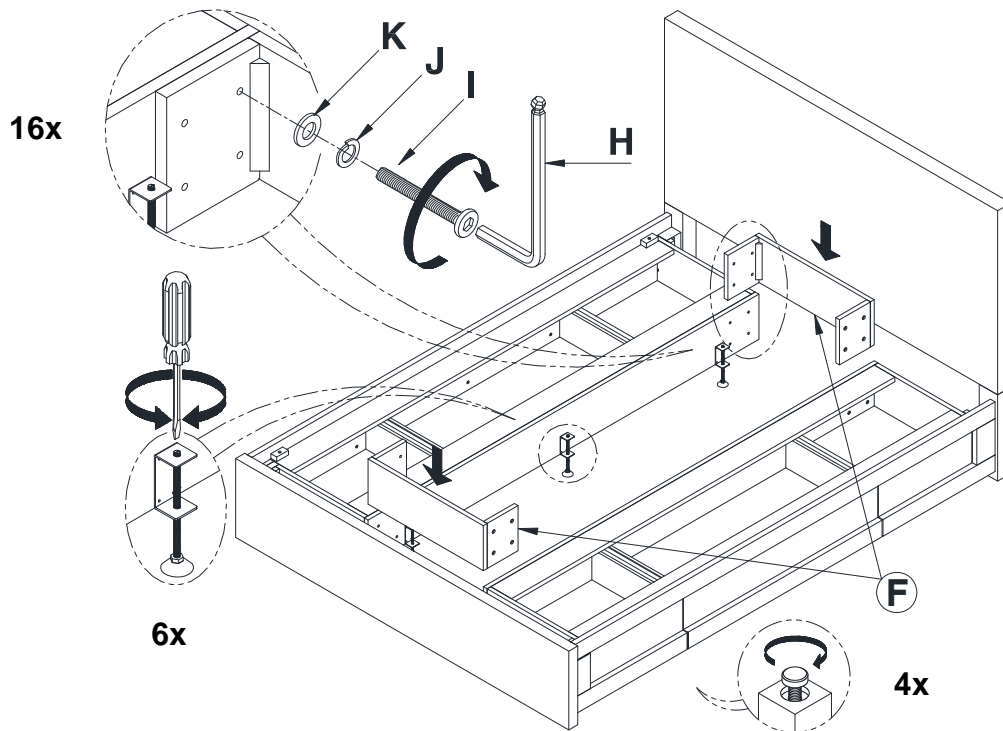
1. Thread the 4 Support Feet (E) into the metal inserts located on bottom of Right Side Storage Unit (C) and Left Side Storage Unit (D) respectively, as shown below. Do not over tighten. Adjust the levelers as needed.
2. Use Allen Key (H) to pull out the leveler feet from the U-brackets at the back of the units until the levelers reach the proper height.



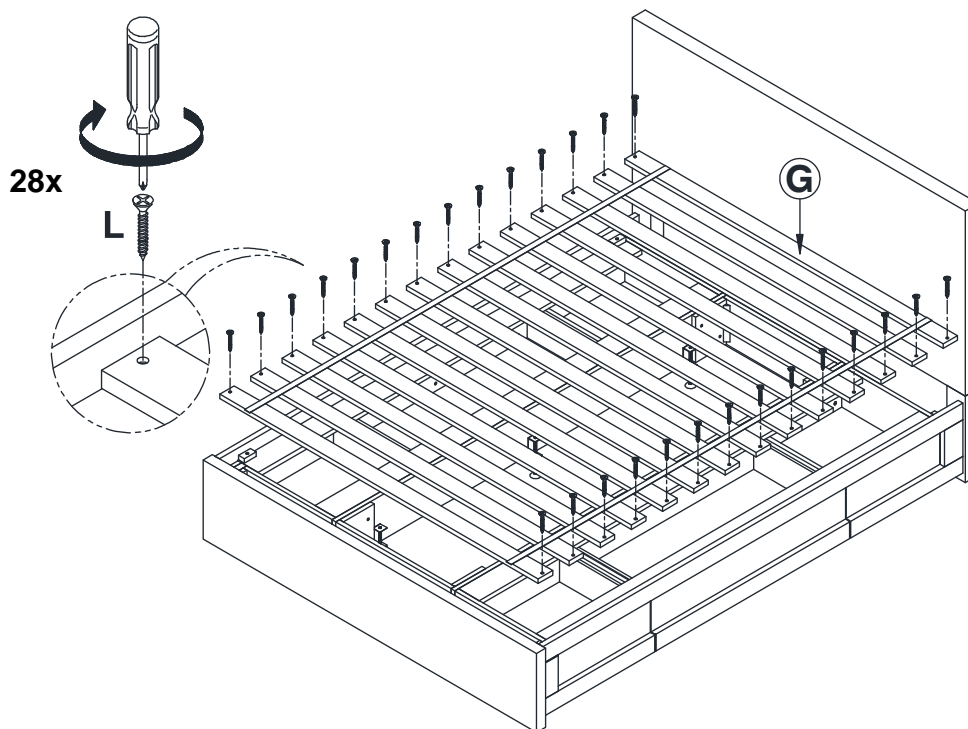
3. Hold Right/Left Side Storage Unit (C&D) up and align the hooks to the slots on the legs of Dover Classic Headboard (A). Insert the hooks of each Side Storage Unit into the slots. Push down firmly on top of the side storage units until they slot themselves over the pins inside the legs.
4. Repeat the above procedure for the Footboard (B).



- Place one Bracket (F) into the front part of the assembled frame to connect Right Side Storage Unit (C) and Left Side Storage Unit (D). Slide a Spring Washer (J) and a Flat Washer (K) onto each Bolt (I) and insert (4x) bolts with washers through pre-drilled holes on each side of Bracket (F) into metal inserts on Left/Right Side Storage Units. Tighten using Allen key (H). Do not over tighten the bolts. Repeat the same procedure for the other Bracket (F) in the rear part of the bed frame.
- Use a Flat Head Screwdriver to adjust the U-bracket levelers from the top until all of them stand firmly on the floor; adjust levelers located on bottom of Support Feet (E) as needed.



- Assemble Slat Roll (G) to the bed frame using (28x) Wood Screws (L) with a Philips Screwdriver as shown.



CARE INSTRUCTIONS:

- Dust often using a clean, soft, dry lint-free cloth.
- Blot spills immediately, and wipe with a clean, damp, cloth.
- We do not recommend the use of chemical cleansers, abrasives, or furniture polish on our lacquered finish.