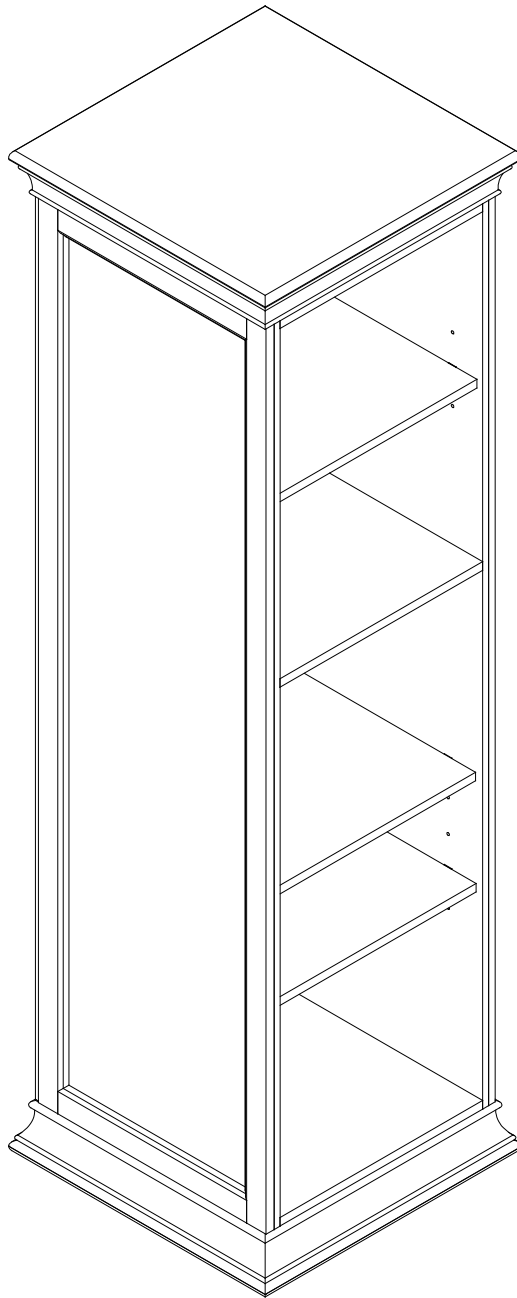




DISPLAY-IT STORAGE MIRROR
ASSEMBLY INSTRUCTIONS



Important Safety Instructions:

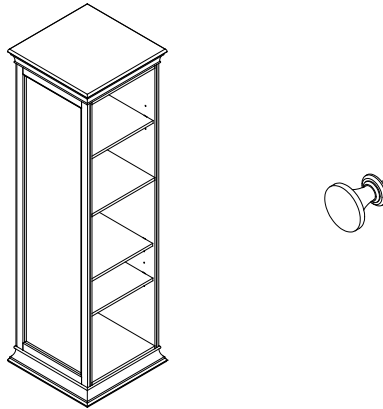
- Please read all instructions carefully before assembling this furniture.
- For your safety, assembly by two or more adults is strongly recommended.
- Keep these instructions for future use.
- Use only vendor-supplied hardware to assemble this item. Using unauthorized hardware could jeopardize the structural integrity of the item.

Pre-assembly:

- Remove all parts and hardware from the box. Place them on a carpeted or scratch-free work surface, as this will avoid damaging parts during assembly. The shipping box provides an ideal work surface.
- To avoid accidentally discarding small parts or hardware, do not dispose of any packaging or contents of the shipping carton until assembly is complete.
- Use the parts and hardware lists below to identify, and separate each of the pieces included.
- The illustrations provided allow for easier assembly when used in conjunction with the assembly instructions.
- The use of power tools to aid in assembly is not recommended. Power tools can damage hardware and split wood.

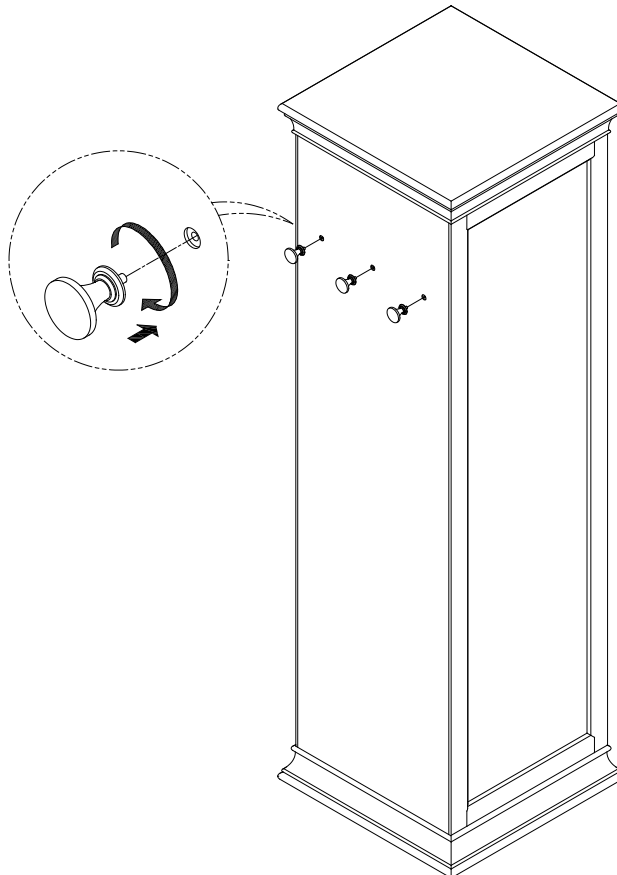
Parts Included:

- (A) Storage Mirror (1x)
- (B) Wooden knob (3x)

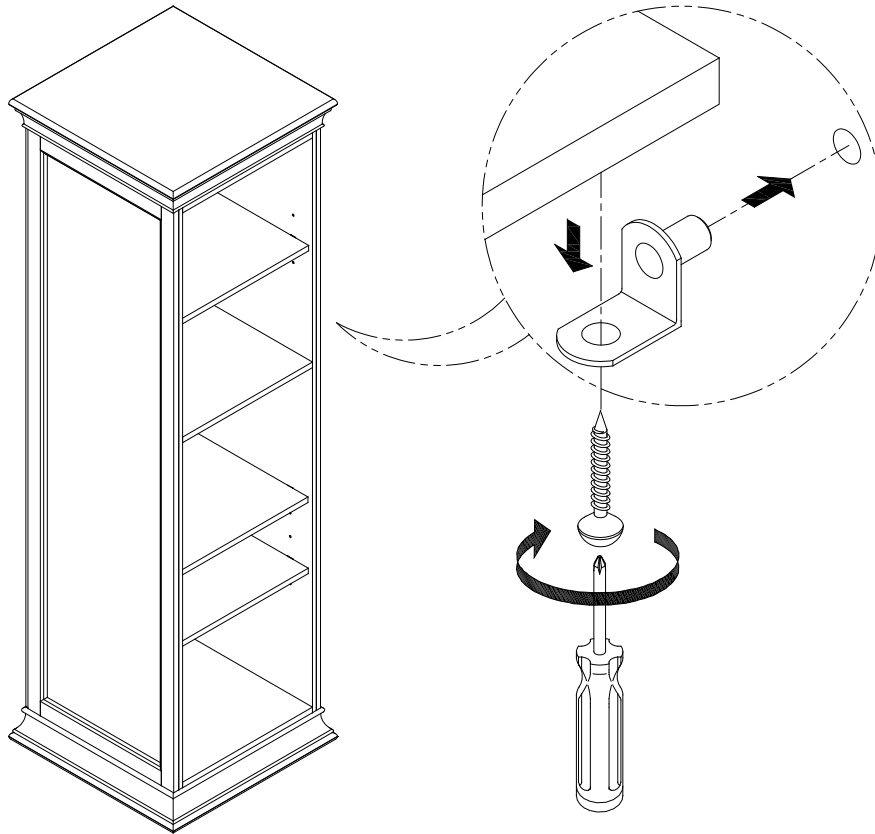


Assembly Instruction Steps:

1. Place the unit in upright position in its desired location.
2. Thread (3) Wooden Knobs into pre-installed insert nuts located on the back panel. Do not over tighten.



3. To change the shelf position: unscrew the screws found under the shelf bottom and remove the shelf from the shelf supports, as seen in the illustration below.
4. Remove the shelf supports and insert the shelf supports into corresponding holes of the new desired position.
5. Place the shelf onto the shelf supports and make sure each shelf is stable.
6. Insert the original wood screw through the pre-drilled holes of the shelf supports and into the shelf bottom.
7. Tighten the screws using a Philips Head Screwdriver (not provided). Do not over tighten.



Care Instructions:

- Dust often using a clean, soft, dry, and lint-free cloth.
- Blot spills immediately and wipe with a clean, damp cloth.
- We do not recommend the use of chemical cleansers, abrasives, or furniture polish on our lacquered finish.
- Hardware may loosen over time. Periodically check to make sure all connections are tight.
Re-tighten if necessary.