

Westclox® tech

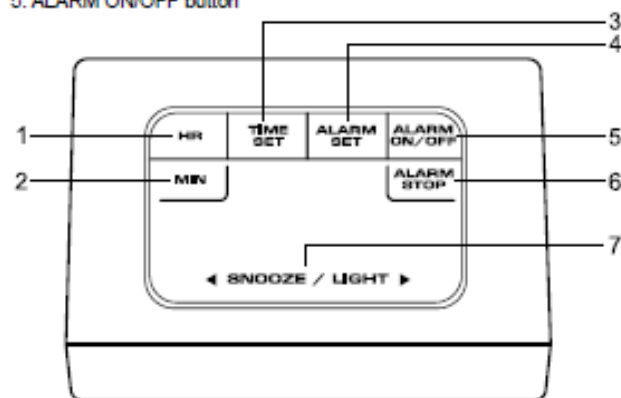
INSTRUCTIONS & WARRANTY

Model# 70035

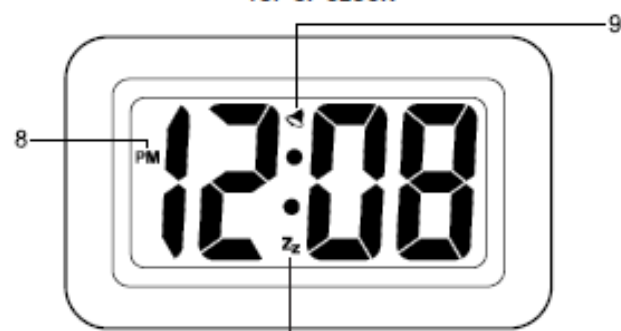
Thank you for your purchase of this quality clock. The utmost care has gone into the design and manufacture of your clock. Please read these instructions carefully and store them in a safe place for future reference.

PRODUCT DESCRIPTIONS

1. HOUR button
2. MINUTE button
3. TIME SET button
4. ALARM SET button
5. ALARM ON/OFF button
6. ALARM STOP button
7. SNOOZE/LIGHT bar
8. PM indicator
9. ALARM ON indicators



TOP OF CLOCK



FRONT OF CLOCK

The following instructions explain how to operate your Westclox digital alarm clock.

INSTALLING OR REPLACING THE BATTERIES

1. Remove the battery compartment cover located on the back of the clock by using your index finger to gently pull down on the latch until you feel the cover release and open.
2. Install two "AA" batteries into the battery compartment. Make sure the polarity is correct by following the (+ or -) symbols engraved inside.
3. Replace the battery compartment cover.

IMPORTANT: Extended storage can cause batteries to leak and damage the unit. Leaky batteries should be discarded immediately. Skin burns or other personal injury can result. Always dispose of batteries according to federal, state and local regulations.

IMPORTANT:

- Clean the battery contacts and also those of the device prior to battery installation.
- Remove batteries from equipment which is not to be used for an extended period of time.
- Remove used batteries promptly
- Do not mix old and new batteries
- Do not mix alkaline, standard (carbon-zinc), or recharge able (ni-cad, nimh, etc) batteries

SETTING THE TIME

1. Press and hold the TIME set button located on the top of the clock.
2. While pressing and holding the TIME set button, use your other index finger to press the HOUR button. Intermittently pressing and releasing the HOUR button will advance the hour for the time of day in one hour increments. Press the hour button as necessary until the correct hour is displayed.

Note: When setting the hour be sure you are in the correct AM or PM time period. When the "PM" indicator appears on the display, the time displayed is in the 12 hour period between 12:00 noon and midnight.

3. While pressing and holding the TIME set button, use your other index finger to press the MINUTE button. Intermittently pressing and releasing the MINUTE button will advance the minutes for the time of day in one minute increments. Press the minute button as necessary until the correct minute is displayed.
4. When the desired time setting is reached for both the hour and minutes, release your finger from the TIME set button. The desired time of day will now be displayed.

SETTING THE ALARM TIME

1. Press and hold the ALARM set button located on the top of the clock.
2. While pressing and holding the ALARM set button, use your other index finger to press the HOUR button. Intermittently pressing and releasing the HOUR button will advance the hour for the alarm time in one hour increments. Press the hour button as necessary until the correct alarm hour is displayed.

Note: When setting the hour be sure you are in the correct AM or PM time period. When the "PM" indicator appears on the display, the time displayed is in the 12 hour period between 12:00 noon and midnight.

3. While pressing and holding the ALARM set button, use your other index finger to press the MINUTE button. Intermittently pressing and releasing the MINUTE button will advance the minutes for the alarm time in one minute increments. Press the minute button as necessary until the correct alarm time is displayed.
4. When the desired alarm time setting is reached, release your finger from the ALARM set button.

Note: Any time you wish to check what time the alarm is set for, simply press the ALARM set button.

ACTIVATING THE ALARM ON/OFF

1. The ALARM ON/OFF button is located on the top of the clock. To turn the alarm on, press the ALARM ON/OFF button. The ALARM ON indicators will appear on the digital display indicating the alarm is activated.
2. To turn the alarm off, press the ALARM ON/OFF button. The ALARM ON indicator will no longer be illuminated on the display indicating the alarm is deactivated.

USING THE SNOOZE

To use the snooze, press down on the SNOOZE bar when the alarm is sounding. The alarm will be silenced temporarily, but will resume sounding after 8 minutes.

ALARM STOP

When the alarm is sounding, press the ALARM STOP button on the top of the clock. The alarm will be silenced. The alarm will still be ON, however it will not sound until the next day at the alarm set time.

USING THE LIGHT

Press the SNOOZE / LIGHT bar located on the top of the clock to activate the display backlight. The backlight will illuminate for approximately 5 seconds.

CARE OF YOUR CLOCK

1. Store the clock without batteries when not in use.
2. A soft cloth or paper towel may be used to clean your clock.
Do not use corrosive cleanser or chemical solutions on the clock.
Keep the clock clean and dry to avoid any problems.
3. Avoid putting the clock in a highly humid environment such as poolside or in a bathroom.
4. Do not expose the clock to direct sunlight, extreme hot or cold temperatures.

ONE-YEAR LIMITED WARRANTY

NYL Holdings LLC warrants the original consumer purchaser of this product that it shall be free of defects in materials and workmanship for one year from the purchase date of this product. Defects caused by tampering, improper use, unauthorized modifications or repairs, immersion in water or abuse are not covered by this warranty. If a defect covered by this warranty occurs during the warranty period, package your clock carefully and send it to the following address:

Att: Repair center
NYL Holdings LLC
1212 East Broward Blvd. Suite 203
Fort Lauderdale, FL 33301
(954) 462-6848

You must include a Proof of Purchase, either the original receipt or a photocopy and a check or money order for USD \$4.95 to cover the cost of shipping and handling. Also include your return address inside the package. NYL Holdings LLC will repair or replace the clock and return it to you. NYL Holdings LLC will not be liable for any loss or damages, including incidental or consequential damages of any kind: from any breach of warranty either expressed or implied relating to the product. Since some states do not allow the exclusion or limitation of incidental or consequential damages, these limitations may not apply to you. This warranty gives you specific legal rights, and you may have other rights that vary from state to state.