



Beadboard Canopy Twin & Full Size

PRE- ASSEMBLY:

- Remove all parts and hardware from box and lay out on a carpeted or scratch-free work surface (The shipping box provides an ideal work surface), as this will avoid damaging any parts during assembly. Do not dispose of any contents until assembly is completed to avoid accidentally discarding small parts or hardware.
- Two people are recommended for ease of assembly.
- Use the parts and hardware lists to identify and separate each of the pieces included prior to starting assembly.
- The illustrations provided allow for easier assembly when used in conjunction with the assembly instructions.
- Note: Do not fully tighten all bolts until all parts are in place. Failure to follow these instructions may cause the bolts to misalign during assembly.
- If using power tools to aid in assembly please use caution. Power tools can damage hardware of split wood.

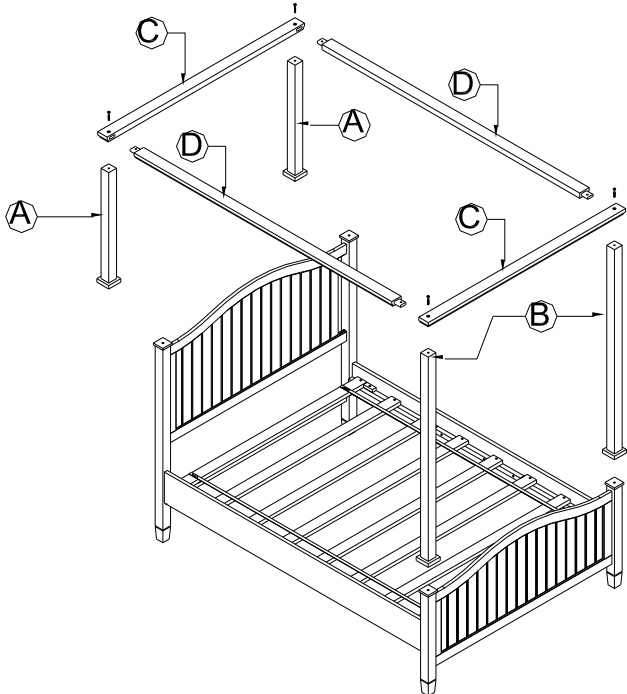
Parts Included:

A – Short Canopy Post (x2)

B – Long Canopy Post (x2)

C – Short Cross Support (x2)

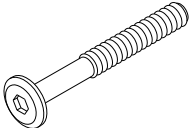
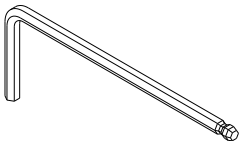
D – Long Cross Support (x2)



Hardware Included:

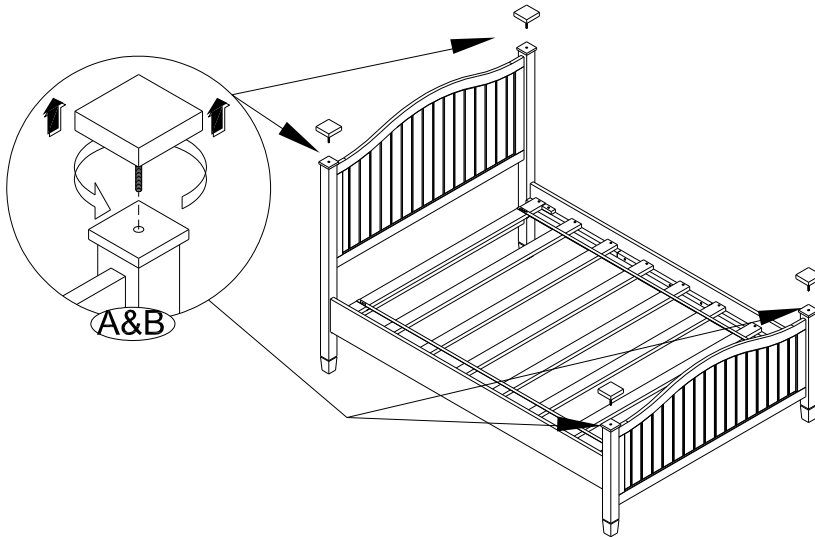
E – Ball Tip Allen Key (included)

F – Hex Bolt 1/4"×50×13mm (x4)

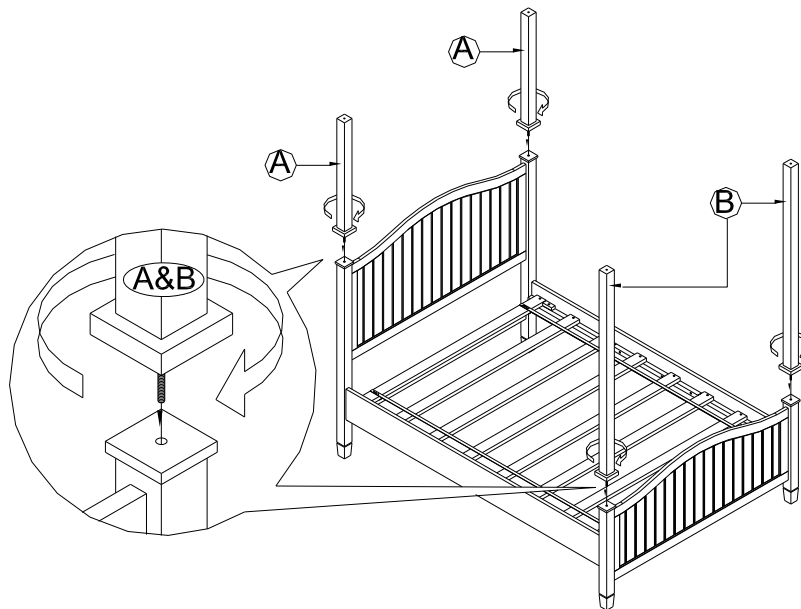


Instruction:

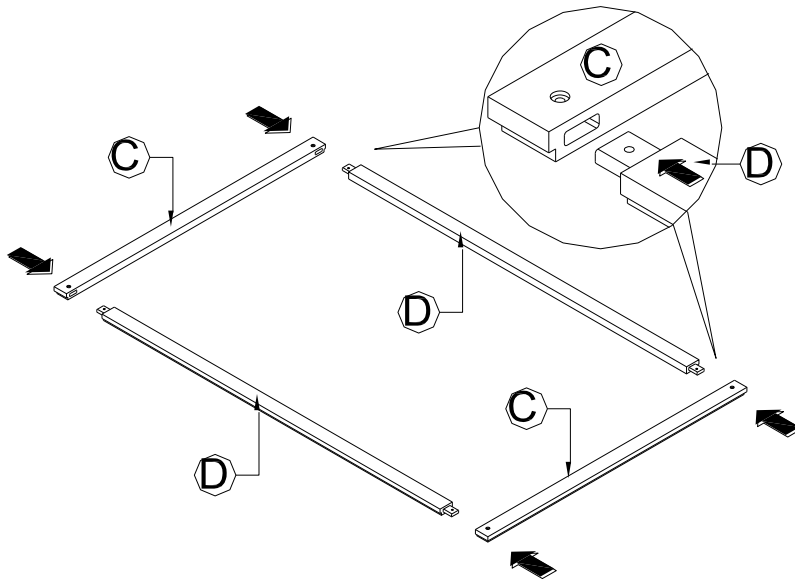
1. Turning the cover with clockwise direction on the finial of Headboard and Footboard.



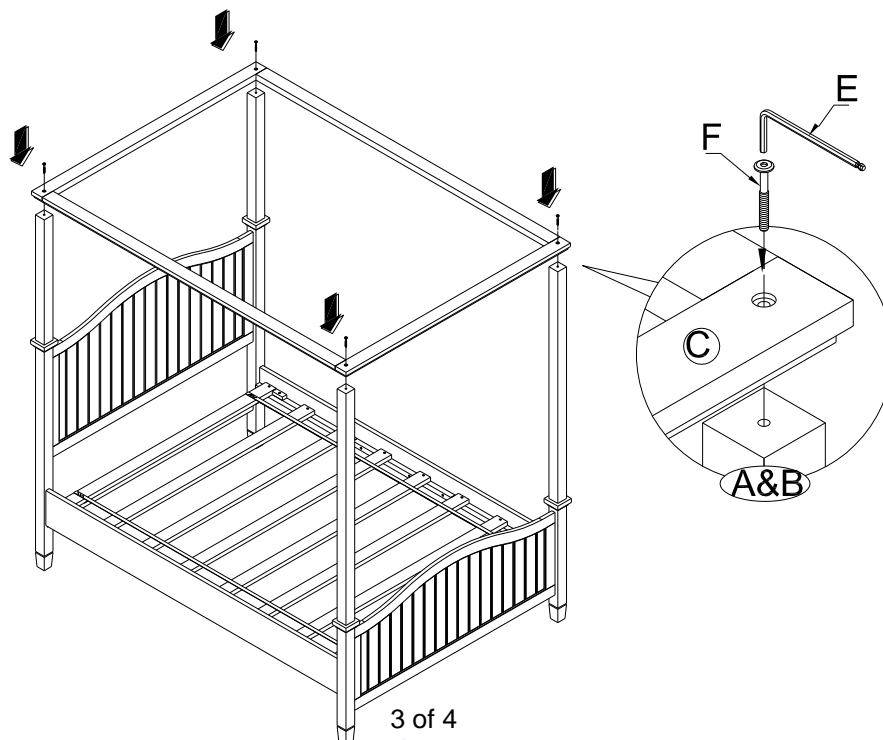
2. Attach Posts (A&B) to bed Headboard and Footboard by insert the bolt on the bottom post to pre-drilled hole of Headboard and Footboard. Turning the posts with counter-clockwise direction to tighten the posts as shown below.



3. Insert the Long cross support (D) to Short cross support (C) as shown below.

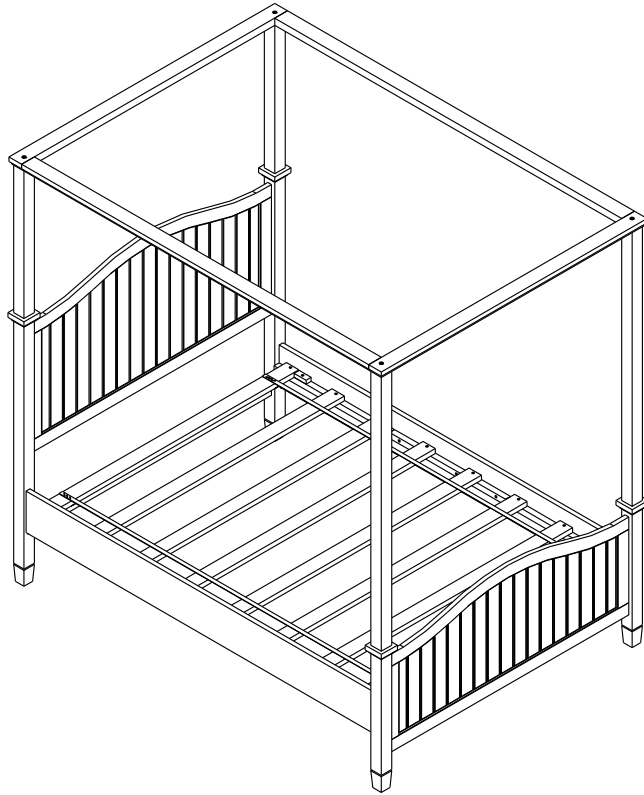


4. Attached assembled Cross supports(C&D) to the finial of bed Canopy Posts(A&B). Insert 4pcs Hex Bolts (F) to each corner of Canopy as shown below , tighten all bolts with Allen Key (E) but do not over tight.



3 of 4

www.pbteen.com



Care Instructions:

- Avoid direct sunlight and excessive temperatures.
- Dust often using a clean, soft, dry and lint-free cloth.
- Slightly moisten cloth with water. A damp cloth holds dust and prevents scratching.
- Waxing is not recommended on lacquered finish.