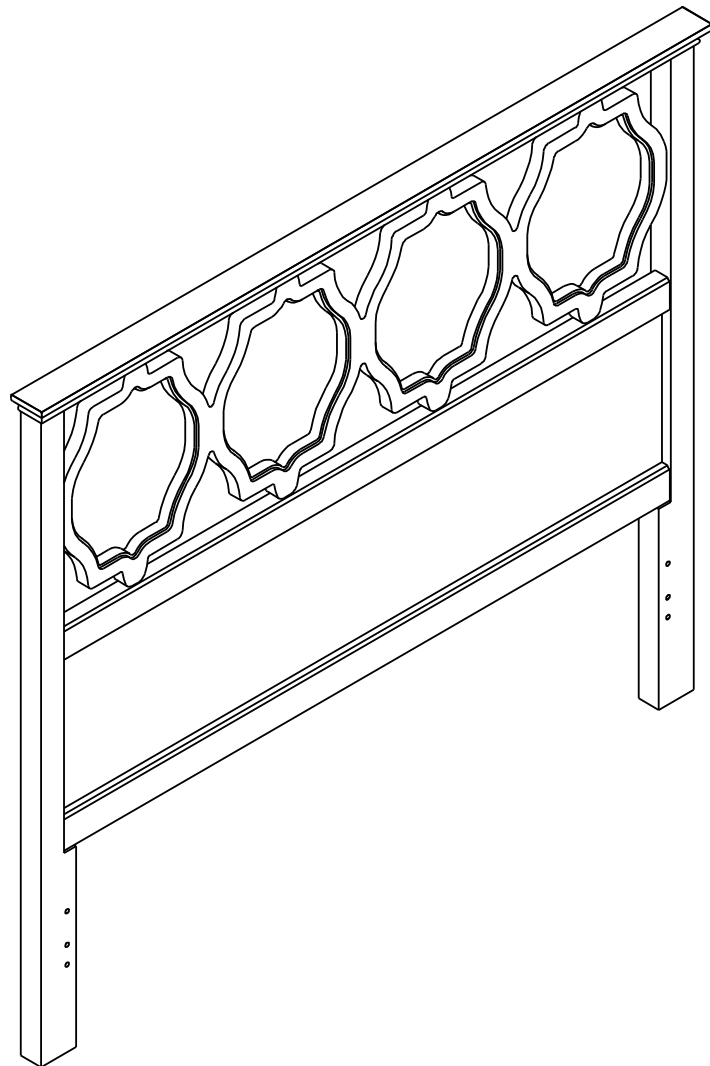




Elsie Headboard Only – Twin / Full



IMPORTANT SAFETY INSTRUCTIONS:

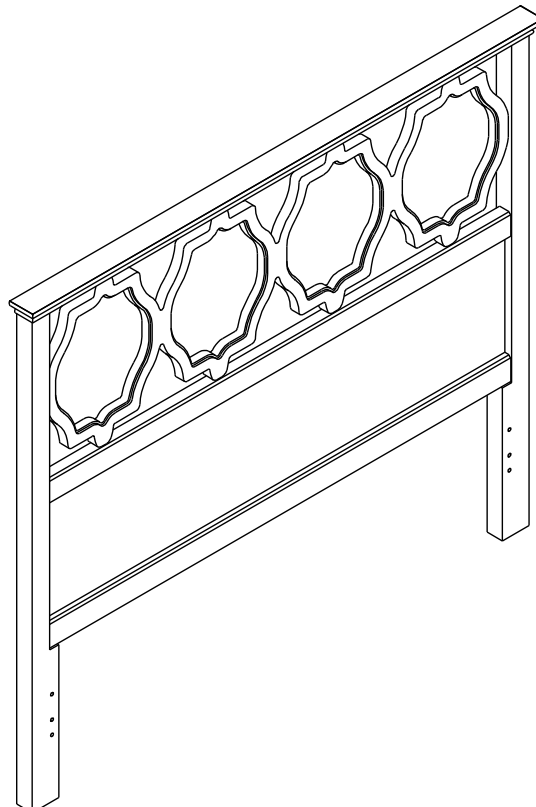
- Please read all instructions carefully before assembling.
- For your safety, assembly by two or more adults is recommended.
- Keep instructions for future use.
- Use only vendor supplied hardware to assemble. Using unauthorized hardware could jeopardize the structural integrity of the item.
- Do not remove warning labels from the crib. Labels are permanent and not designed to be removed.

PRE-ASSEMBLY:

- Remove all parts and hardware from the box and place them on a carpet, or scratch-free work surface, as this will avoid damaging parts during assembly. The shipping box provides an ideal work surface.
- To avoid accidentally discarding small parts or hardware, do not dispose of any packaging or contents of the shipping carton until assembly is complete.
- Use the parts and hardware lists below to identify and separate each of the pieces included.
- The illustrations provided allow for easier assembly when used in conjunction with the assembly instructions.
- The use of power tools to aid in assembly is not recommended. Power tools can damage hardware and split wood.

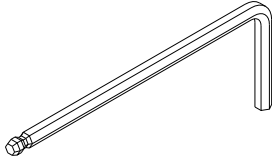
PARTS INCLUDE:

(F) Headboard - (1Pc.)

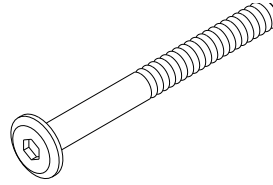


HARDWARE REQUIRED:

(A) – Allen Key 4x95x30mm (1x)



(B) – Hex Bolt 1/4"x45x13mm (6x)



(C) – Spring Washer 1/4"x10x1.5mm (6x)



(D) - Flat washer 1/4"x12x1.5mm(6x)

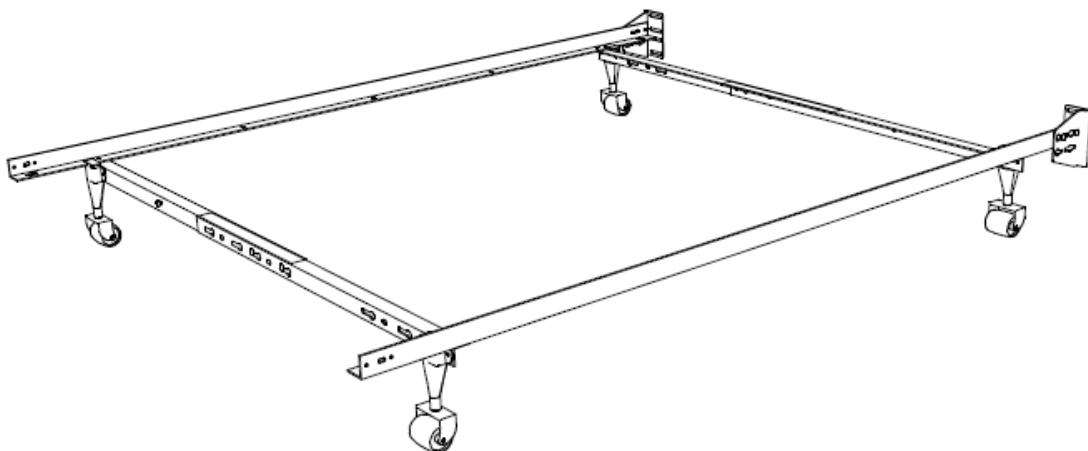


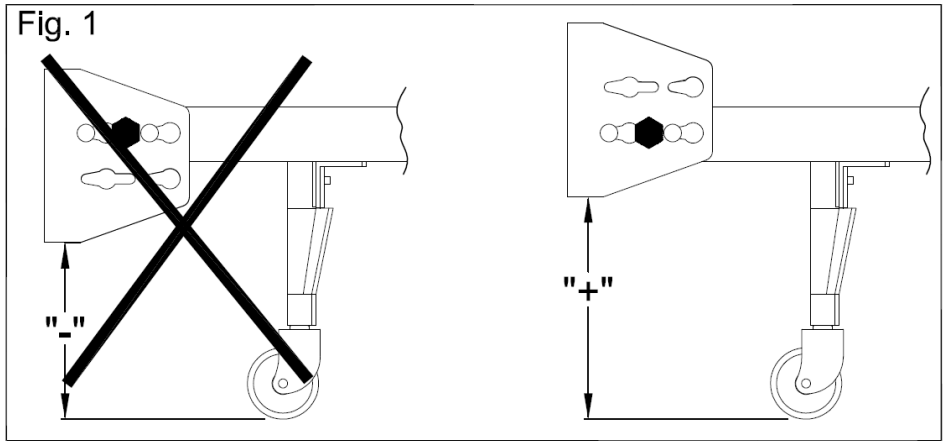
ASSEMBLY INSTRUCTIONS:

IMPORTANT:

This headboard is designed to attach to our box spring frame (sold separately). Use the hardware that was supplied with the headboard to attach the headboard to the box spring frame.

1. Assemble the Box Spring Frame (sold separately) according to the instructions included with the frame. Make sure the face plate on the bed frame is set to the higher "+" position. See Fig.1.





- 3 Hold Headboard (A) upright and tilted slightly towards the faceplates of the pre-assembled bed frame. Align the slots in the faceplate with the predrilled holes of the headboard. If the holes do not align perfectly, adjustable levelers have been provided at the bottom of each leg to provide adequate alignment (see fig.2). Carefully lift the item slightly to provide access to the leveler attached to the bottom. Turn the leveler until adequate alignment has been reached. Repeat above step for the other foot.

Insert the Hex Bolt (B) into a Spring washer (C) and then through a Flat washer (D) as shown in below picture into the hole in the front side of the Left post and Right Post of the Headboard (F). Tighten all bolts using Allen Key (A).

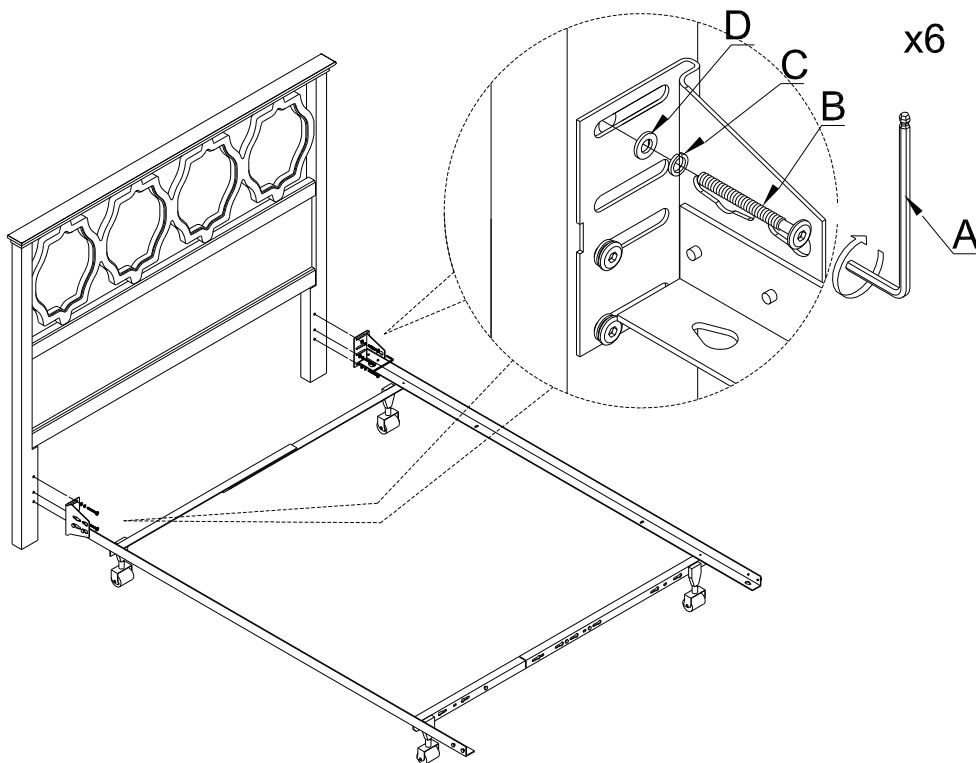
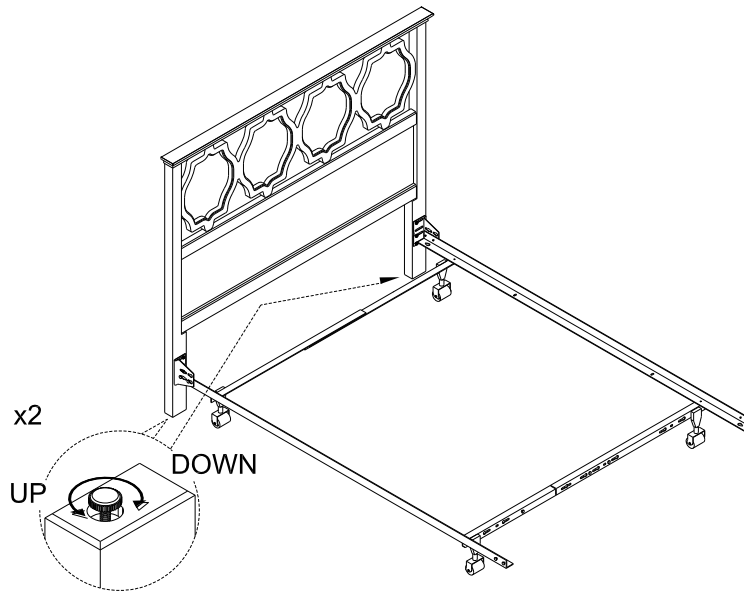
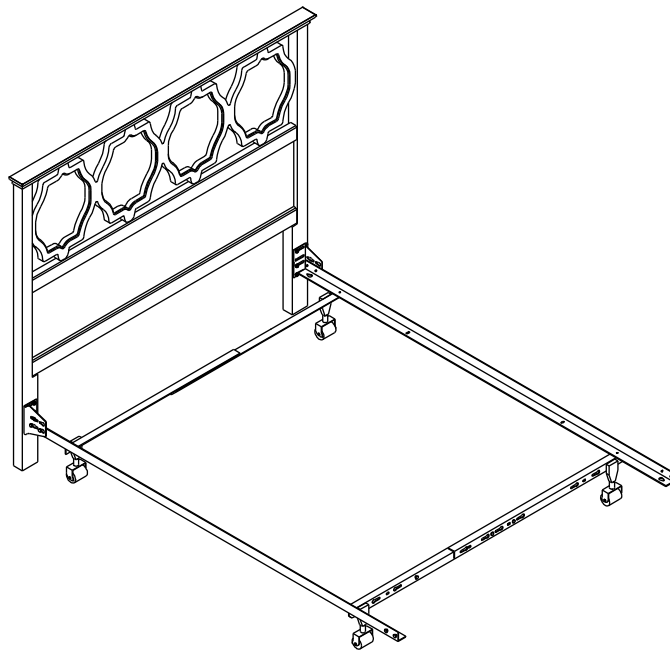


Fig.2



Assembly is now complete. Keep assembly instructions for future reference.



CARE INSTRUCTIONS :

- Dust often using a clean, soft, dry, and lint-free cloth.
- Blot spills immediately and wipe with a clean, damp cloth.
- We do not recommend the use of chemical cleansers, abrasives, or furniture polish on our lacquered finish.
- Hardware may loosen over time. Periodically check to make sure all connections are tight.
Re-tighten if necessary.