












Over-the-Door Mirror Rack

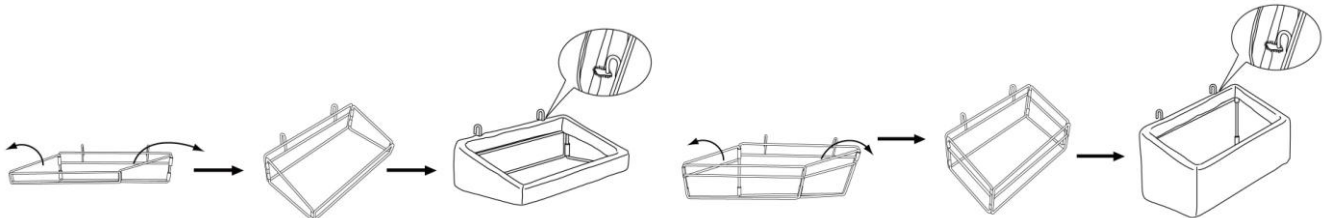
Parts:

| | | | | | | | | |
|---|---|---|---|---|--|---|---|---|
| A | B | C | D | E | F | G | H | I |
|  |  |  |  |  |  |  |  |  |
| Screws | Mirror | Wire hook | Hook | Large wire bins | Small wire bins | Large canvas bins | Small canvas bins | 3M Velcro |
| 6 PCS | 1 PC | 1 PC | 2 PCS | 2 PCS | 2 PCS | 2 PCS | 2 PCs | 1 SET |

Tools: Phillips screwdriver.

Assembling product:

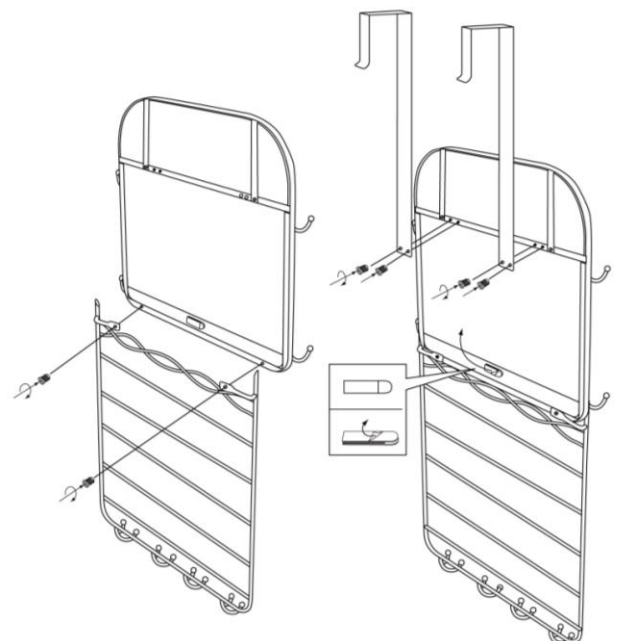
1. Open wire bin and assemble canvas bin with wire bin as shown in below photos.



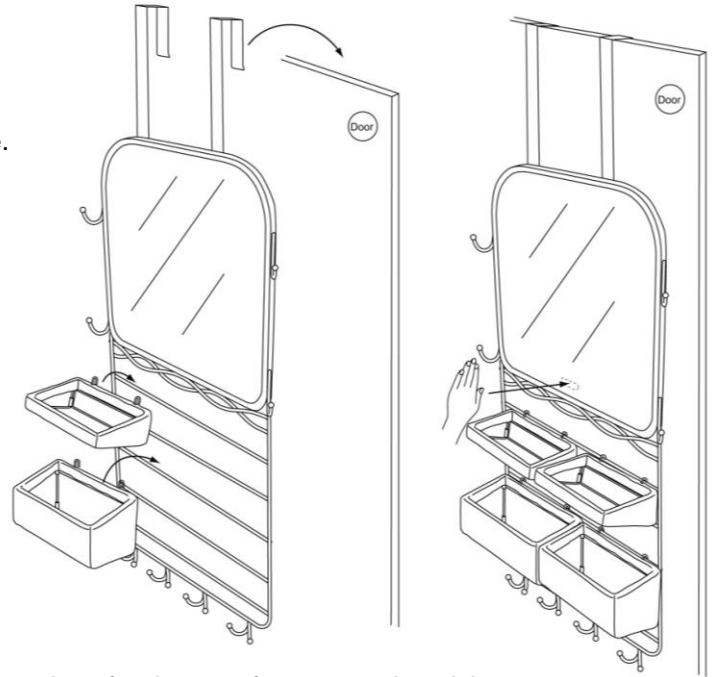
1. Attach the mirror (B) to the wire hook (C) by aligning the mirror holes with the two threaded holes and secure the mirror using 2 x screws (A) and a screwdriver.

2. Attach 2 hooks (D) to the mirror (B) by aligning the hook holes with the two threaded holes and secure the hooks using 4 x screws (A) and a screwdriver.

3. Attach the 3M Velcro on the back of the mirror. Clean the surface with isopropyl rubbing alcohol, wipe gently, let dry. Do not use household cleaners. Separate strips. Press fasteners together until they snap. Remove one red liner. Position the set of strips on back of mirror and press firmly. Remove remaining red liners. Press firmly for 30 seconds.



4. Hang the product on the door as shown in photo.
5. Hang the wire bins on the product as shown in photo.
6. Grab the mirror at the bottom and peel off the protective surface. Do not pull directly toward you to remove. Firmly press all 3 areas of strips for 30 seconds. Wait 1 hour to mount the frame. Press fasteners firmly together until they click. If item is not level, reposition.



To Remove 3M Velcro:

Grab bottom corners and remove bamboo board as shown. Never pull strip towards you. Lightly press top of strip and grab tab, slowly stretching downward along wall. Continue stretching at least 6 inches (15cm) until strip releases from wall.

Important:

Failure to follow instruction carefully may cause damage! Save instructions for damage-free removal or visit command.com

Caution:

Do not use with wallpaper. May not adhere well to vinyl surfaces. Do not use for antique, heirlooms, or other valuable or irreplaceable items. Do not hang items over beds.

Noted:

Apply to surfaces above 50°F (10°C). Adhesive could lose adhesion above 150°F (40°C).

Care Instructions:

- Wipe with a soft, dry cloth
- Do not use strong chemical or abrasive cleaners.
- You can use a household glass cleaner to clean the glass, but apply the cleaner to a clean cloth first and then use the cloth to clean the mirrored surfaces. Avoid spraying the cleaner directly onto the frame of this item.

Thank you for your purchase.
www.pbteen.com