



## Locker Bed – Queen and Full

### Pre-Assembly:

- Please read all instructions before beginning assembly.
- Two-adult assembly is recommended.
- Save all packing materials until assembly is complete to avoid accidentally discarding smaller parts or hardware.

If using power tools to aid in assembly please use with caution. Power tools can damage hardware.

Note: Do not fully tighten all bolts until all parts are in place. Failure to follow these instructions may cause the bolts to misalign during assembly.

### Parts and Tools Included:

#### TOOLS REQUIRED:

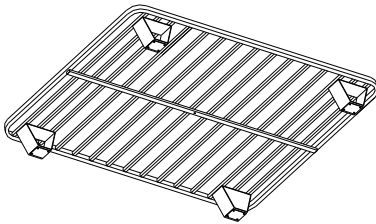


Allen Wrench (4mm)

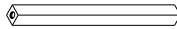


Allen Wrench (5mm)

#### PARTS INCLUDED:



A - Bed - 1pc



B - Support Leg with Adjustable Leveler – 1pc

#### HARDWARE LIST:



a – Small Bolt ( $\Phi$  1/4" \* 1/2" L) – 16pcs



b – Lock Washer et – 16pcs



c – Flat Washer – 16pcs



d – Big Bolt ( $\Phi$  5/16" \* 1" L) – 1pc



e – Caster without Brake – 2pcs

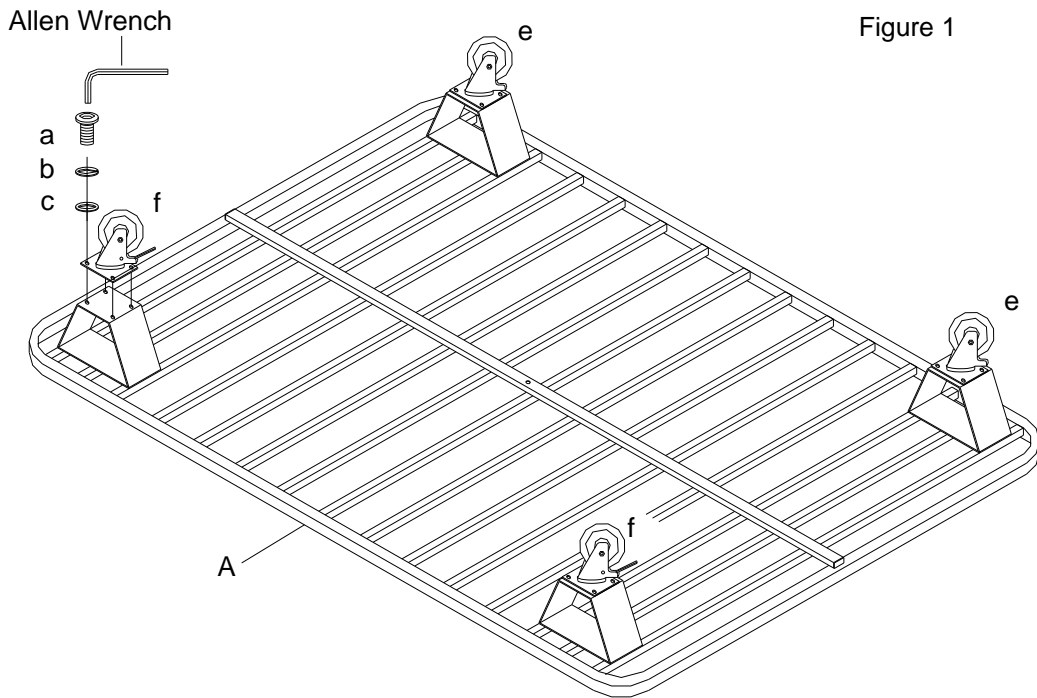


f – Caster with Brake – 2pcs

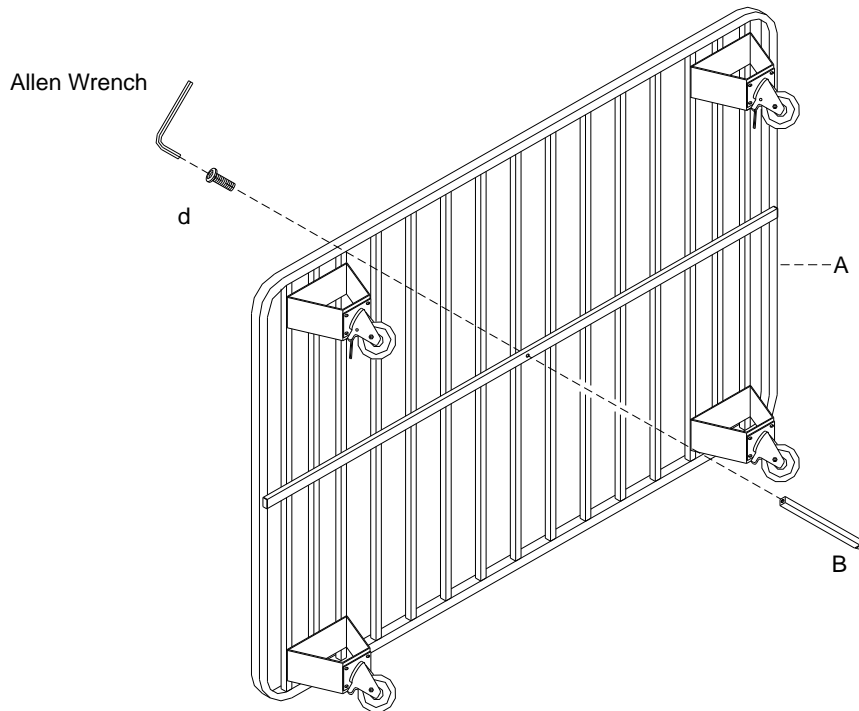
**Note:** All parts and hardware are delivered in one carton.

**Assembly Instructions:**

1. Place the bed (A) upside down on a clean, soft surface such as a carpet or rug.
2. Attach the caster (e & f) to the bracket of bed as shown, using flat washer (c), lock washer (b) and big bolt (a) . Securely tighten the bolt with Allen wrench (4mm). Do not over tighten the bolt. See Figure 1.

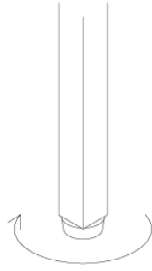


3. Attach the support leg (B) to the center of bed as shown, using small bolt (d). Securely tighten the bolt with Allen wrench (5mm). Do not over tighten the bolt. See Figure 2.



4. Turn the bed to an upright position. If Bed is not level you may slowly unscrew the adjustable leveler to attain a level position. See Figure 3.

Figure 3



5. Assembly is now completed.

**Care Instructions:**

- Furniture polishes, abrasive cleaner and household cleaners are not recommended for use. Use a slightly damp cloth to clean.
- Dry thoroughly.