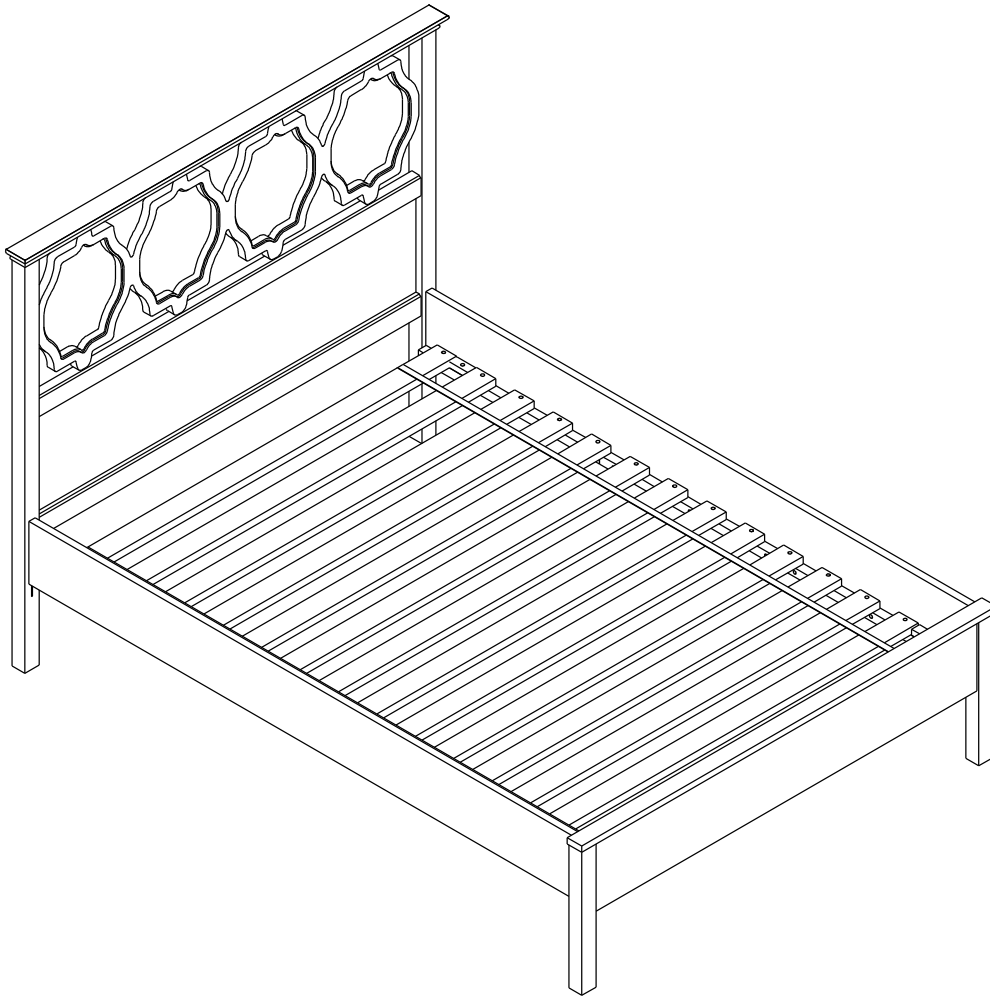


ELSIE BED TWIN & FULL

ASSEMBLY INSTRUCTION



IMPORTANT SAFETY INSTRUCTIONS:

- Please read all instructions carefully before assembling this bed.
- For your safety, assembly by two or more adults is strongly recommended.
- Keep these instructions for future use.
- Use only vendor-supplied hardware to assemble this item. Using unauthorized hardware could jeopardize the structural integrity of the item.

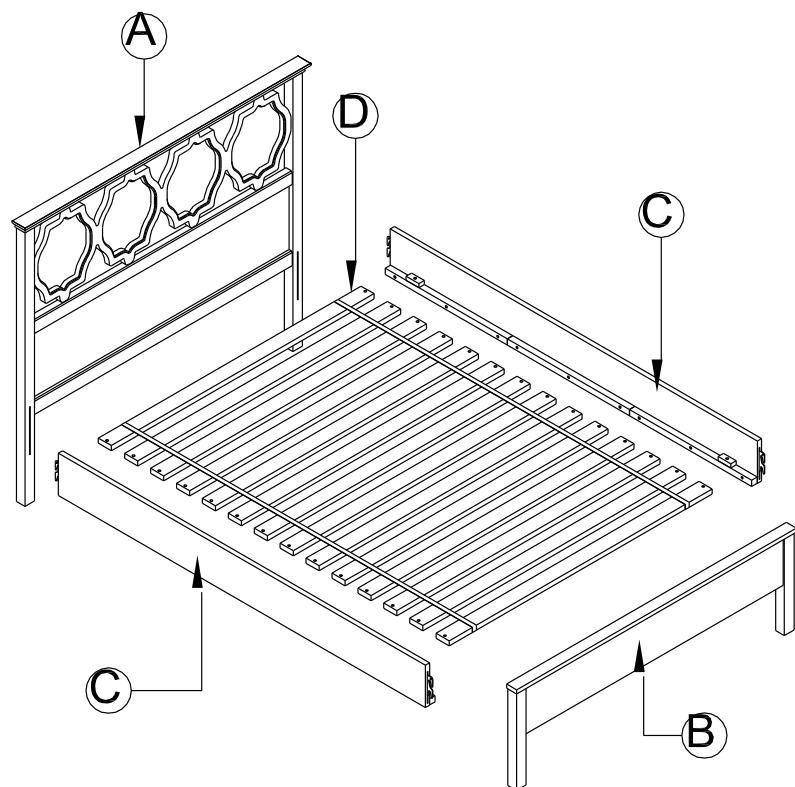
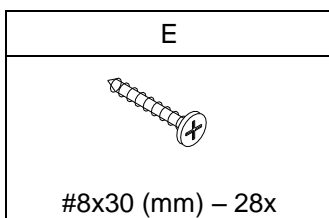
PRE- ASSEMBLY:

- Remove all parts and hardware from the box. Place them on a carpeted or scratch-free work surface, as this will avoid damaging parts. The shipping box provides an ideal work surface.
- To avoid accidentally discarding small parts or hardware, please do not dispose of any contents until assembly is complete.
- Two people are recommended for your safety and ease of assembly.
- Prior to starting this assembly, use the parts and hardware lists to identify and separate each of the pieces included.
- The illustrations provided allow for easier assembly when used in conjunction with the assembly instructions.
- Note: Do not fully tighten any of the bolts until all parts are in place. Failure to follow these instructions may cause the bolts to misalign during assembly.
- Please use caution if using power tools to aid in assembly. Power tools can damage the hardware or split the wood.

PARTS INCLUDED:

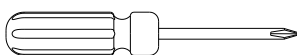
- A – Headboard (x1)
- B – Footboard (x1)
- C – Side Rail (x2)
- D – Slat Roll (x1)

HARDWARE INCLUDED:



TOOL REQUIRED (but not included):

Phillips Head Screwdriver

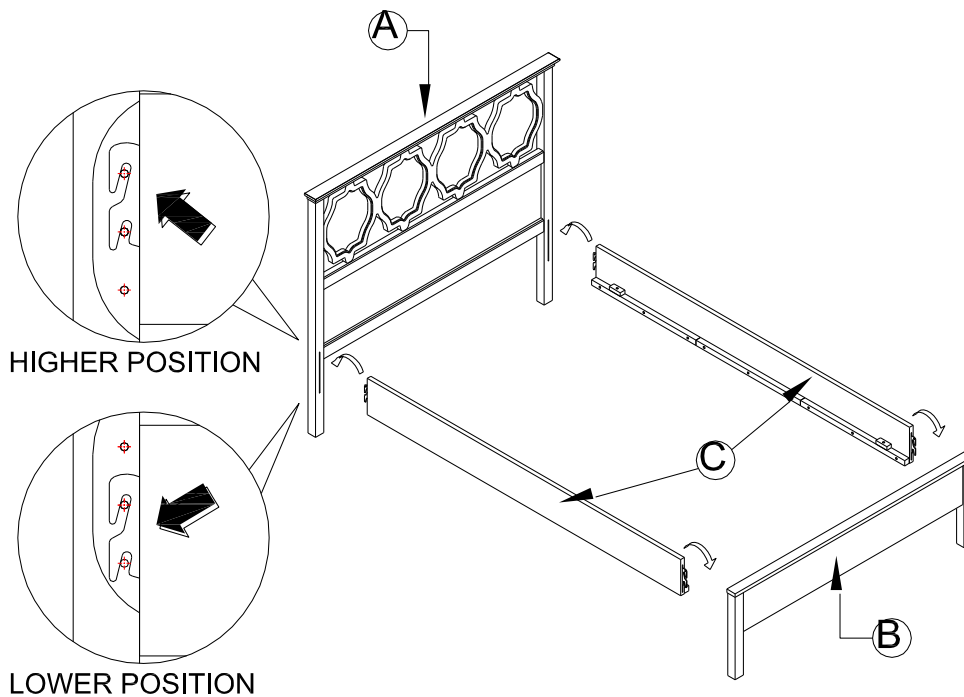


ASSEMBLY INSTRUCTION STEPS:

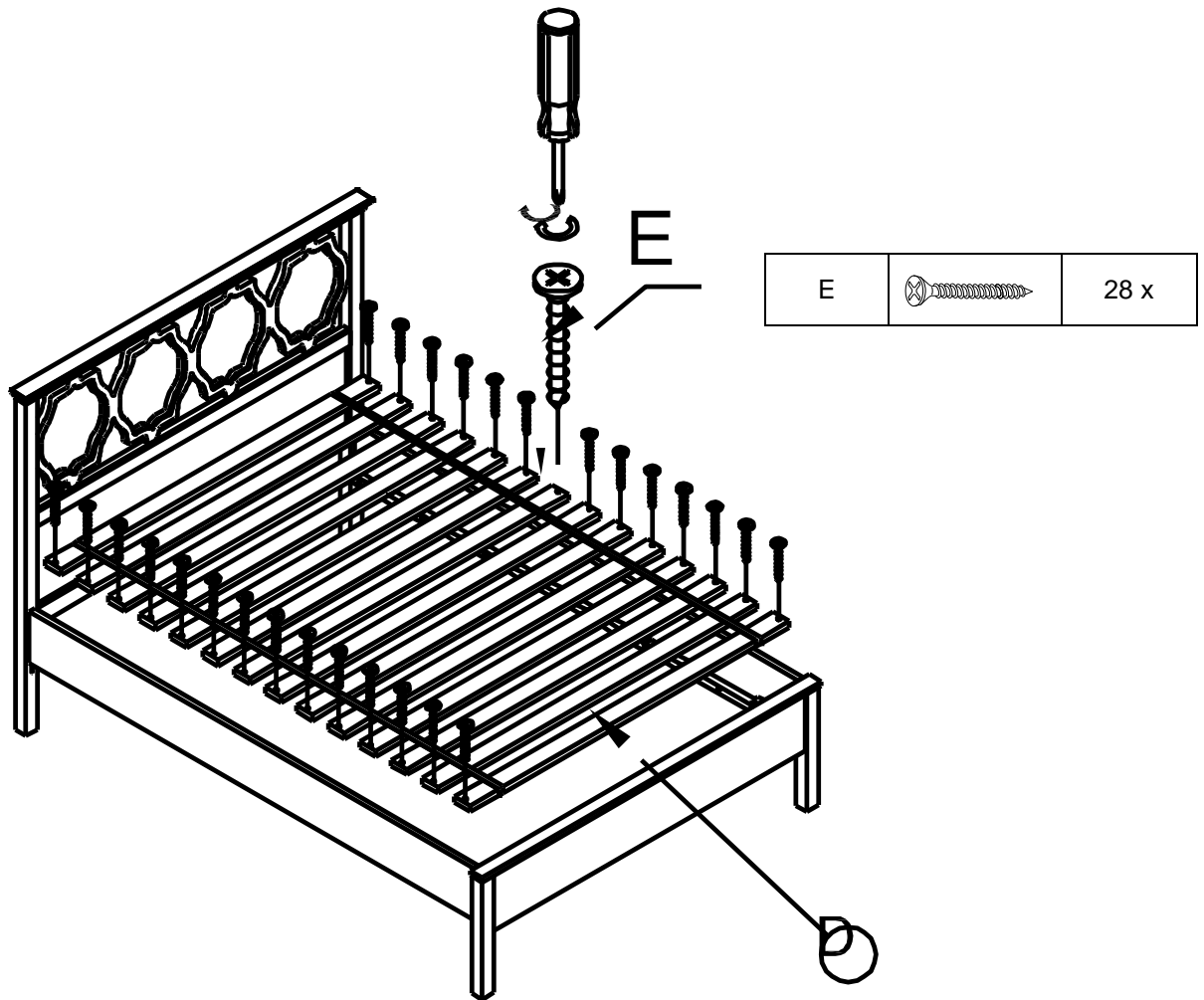
1. Determine the desired location of the bed.
2. Hold Headboard (A) in a vertical position tilted slightly forward.
3. Attach each Side Rail (C) to the Headboard legs by inserting the pre-fixed hooks at the ends of the Side Rail (C) into the corresponding slots on the Headboard legs. Push down firmly on the top of the Side Rails (C), until they sit themselves over the pins inside the leg slots, as shown in the illustration below.
Be sure the small ledge on each Side Rail (C) is facing inward.

NOTE: There are two levels for the Side Rails (C). If you plan to use a trundle, please use the higher setting.

4. Repeat Step #3 to assemble the Footboard (B), as seen in the illustration below.



5. Place the Slats Roll (D) onto the opening of the two Side Rails (C). Make sure the ends of the slats rest upon the small ledge inside of the Side Rails (C), as seen below.
6. Insert 28 Phillips Screws (E) through the pre-drilled holes at the end of each Slat and through to the mattress support on the Side Rails (C), as seen in the illustration below.
7. Tighten with a Phillips Head Screwdriver (not provided).
8. Hardware should be checked periodically for tightness.



CARE INSTRUCTIONS:

- Dust often using a clean, soft, dry, and lint-free cloth.
- Blot spills immediately and wipe with a clean, damp cloth.
- We do not recommend the use of chemical cleansers, abrasives, or furniture polish on our lacquered finish.
- Hardware may loosen over time. Periodically check to make sure all connections are tight.
Re-tighten if necessary.