

E+M Metal desk

Important Safety Instructions:

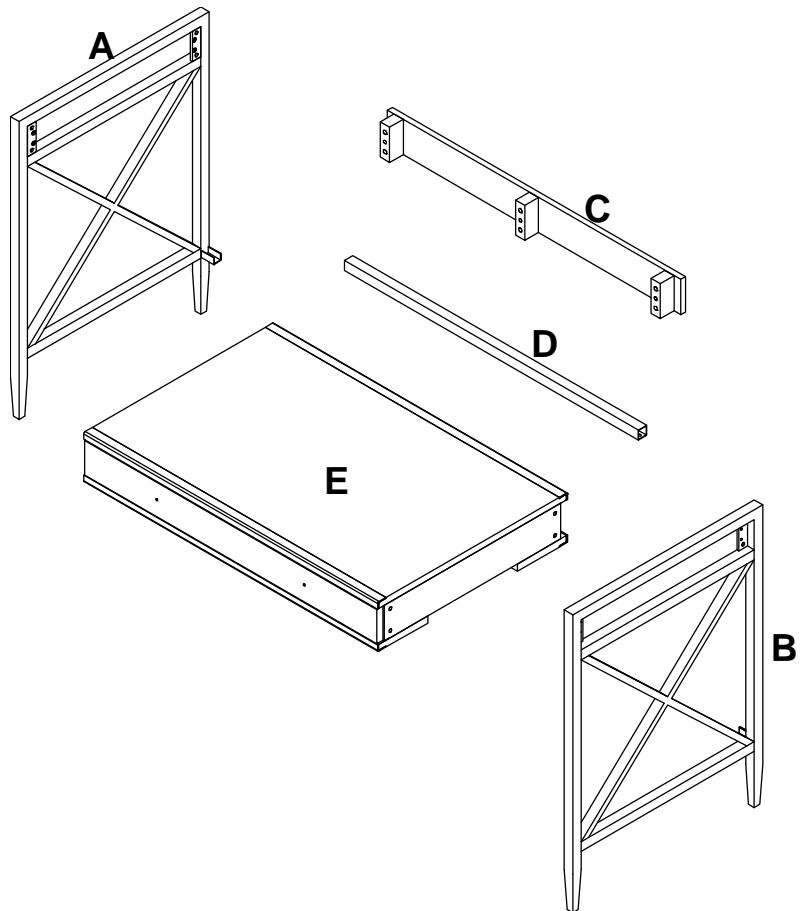
- Please read all instructions carefully before assembling.
- For your safety, assembly by two or more adults is strongly recommended.
- Keep instructions for future use.
- Use only vendor supplied hardware to assemble. Using unauthorized hardware could jeopardize the structural integrity of the item.

Pre-assembly:

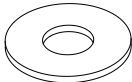
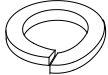
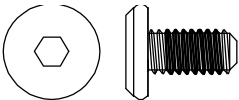
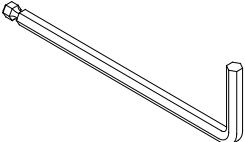
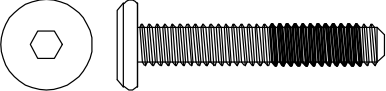
- Remove all parts and hardware from the box and lay out on a clear carpeted or scratch-free work surface, as this will avoid damaging parts during assembly. The shipping box provides an ideal work surface.
- Do not dispose of any packaging or contents of the shipping carton until assembly is completed to avoid accidentally discarding small parts or hardware.
- Use the parts and hardware lists below to identify and separate each of the pieces included.
- The illustrations provided allow for easier assembly when used in conjunction with the assembly instructions.
- The use of power tools to aid in assembly is not recommended. Power tools can damage hardware and split wood.

Parts Included:

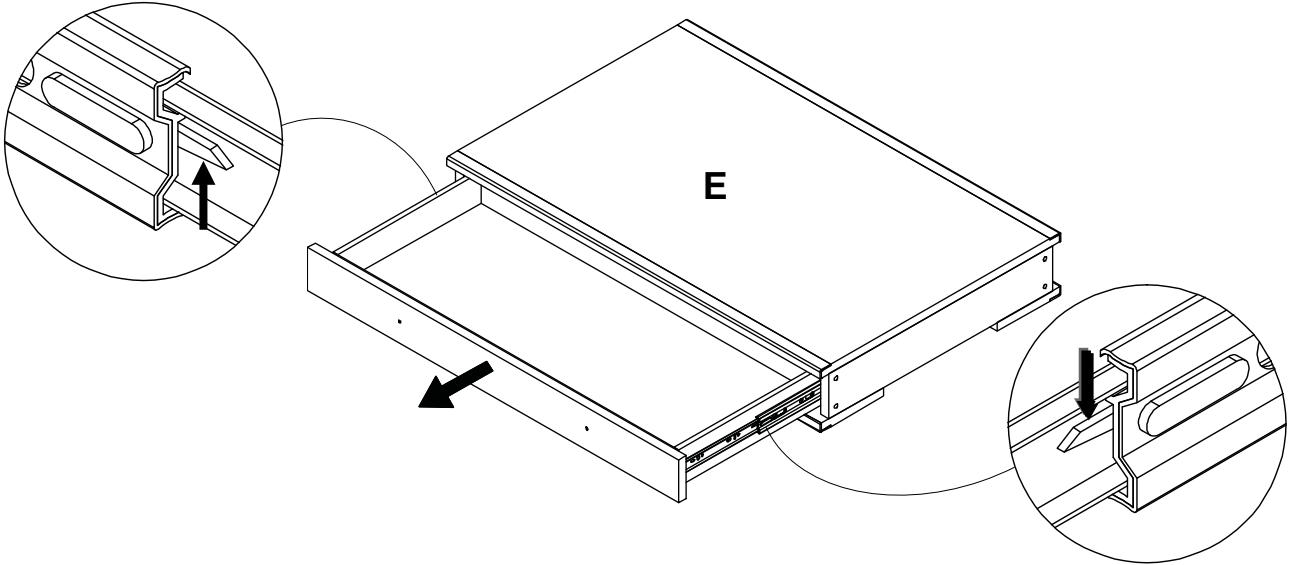
- (A) Left Frame 1x
- (B) Right Frame 1x
- (C) Top Rail 1x
- (D) Bottom Rail 1x
- (E) Drawer Box 1x



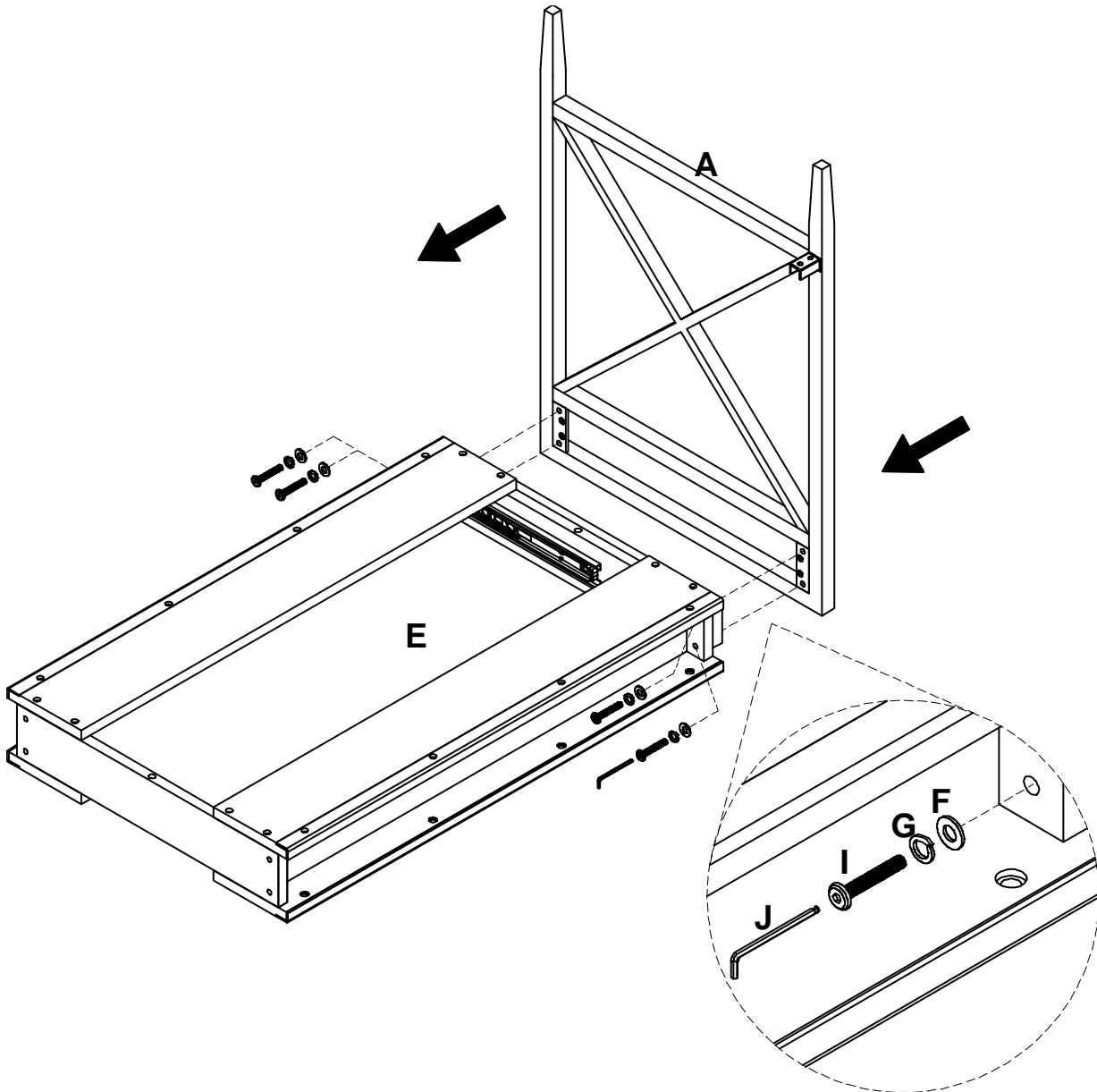
Hardware Included:

<p>(F) Flat Washer</p>  <p>15x</p>	<p>(G) Spring Washer</p>  <p>15x</p>	<p>(H) Bolt M6 x 15mm</p>  <p>4x</p>	<p>(J) Allen Wrench</p>  <p>1x</p>
		<p>(I) Bolt M6 x 35mm</p>  <p>11x</p>	

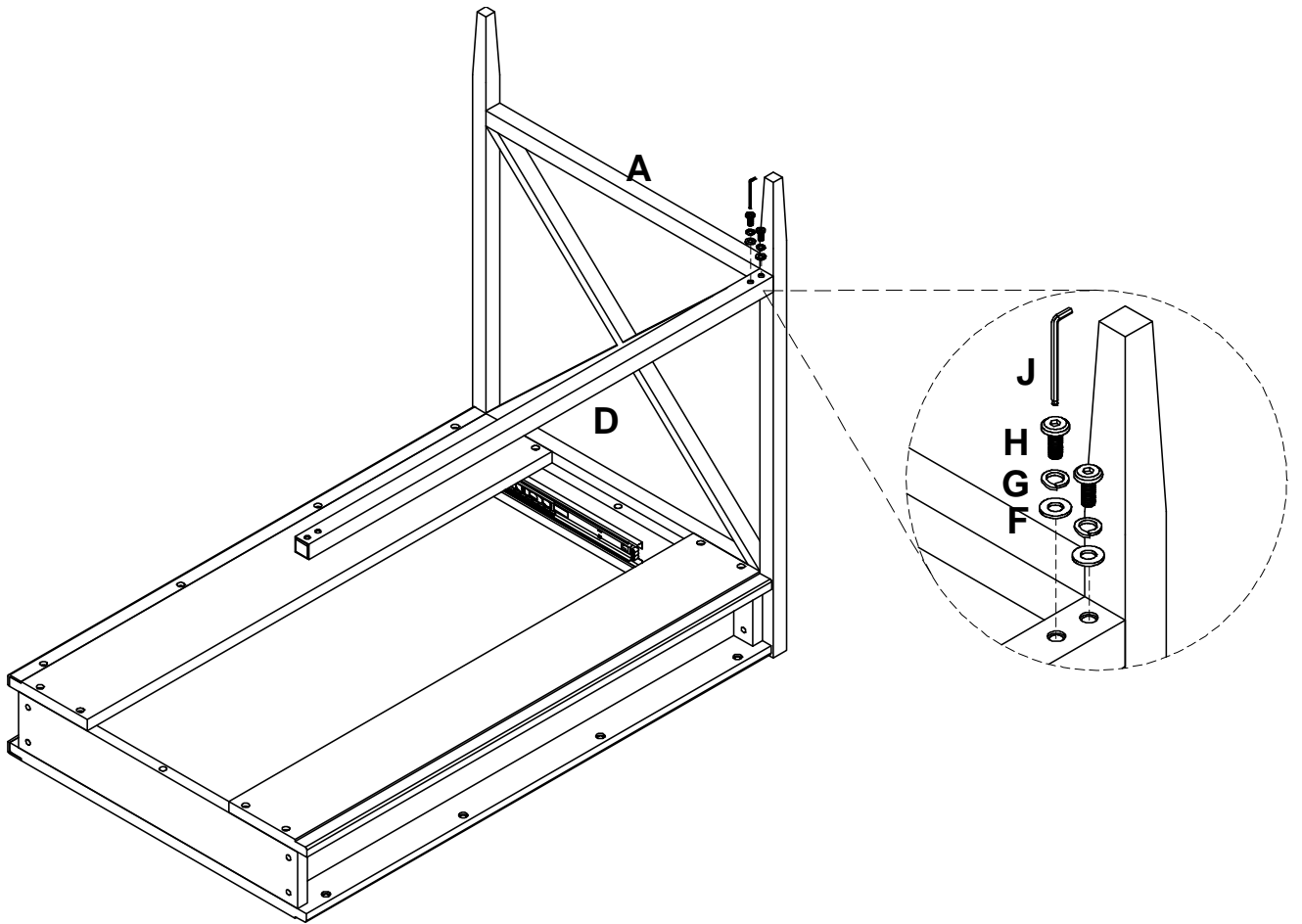
1. Remove the drawer from Drawer Box (E) by pressing the plastic locks on the side drawer slides upwards and downwards as shown while pulling drawers out.



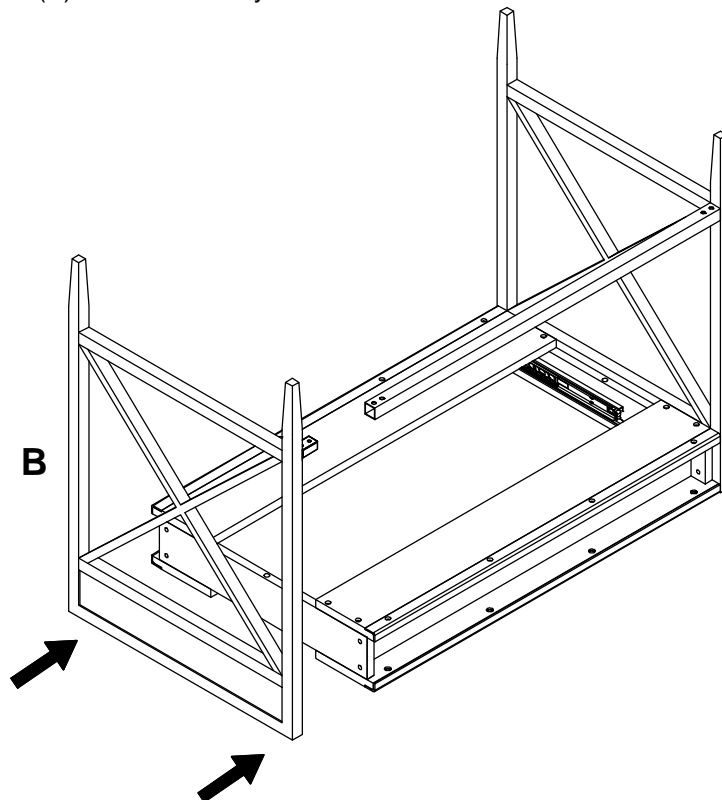
2. Attach Left Frame (A) to the drawer box as shown, insert Bolt (I) thru Spring Washer (G) and Flat Washer (F), tighten with Allen Wrench (J).



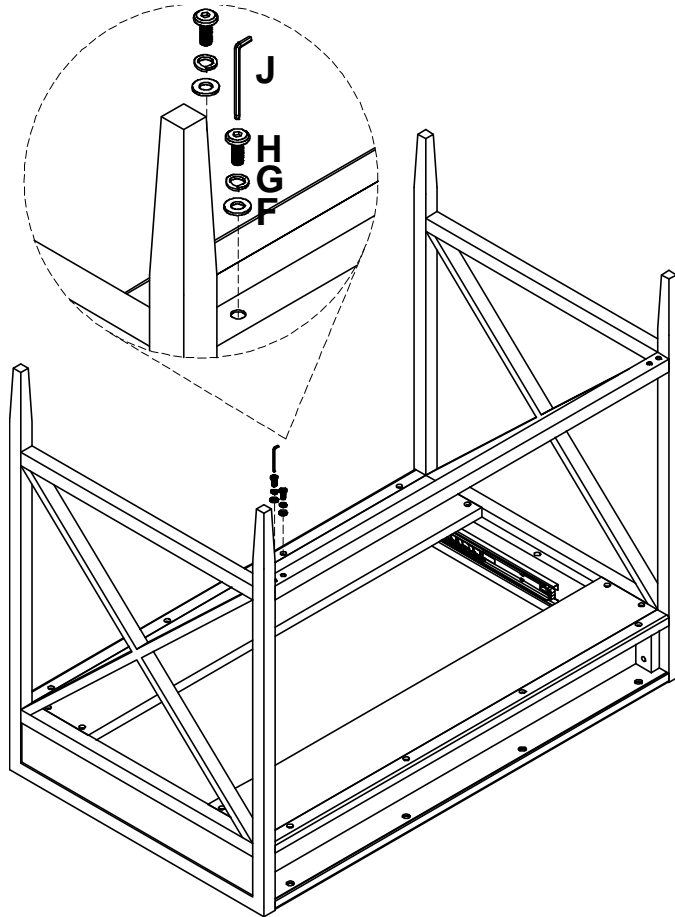
3. Attach Bottom Rail (D) to Left Frame (A) as shown, insert Bolt (H) thru Spring Washer (G) and Flat Washer (F), tighten with Allen Wrench (J).



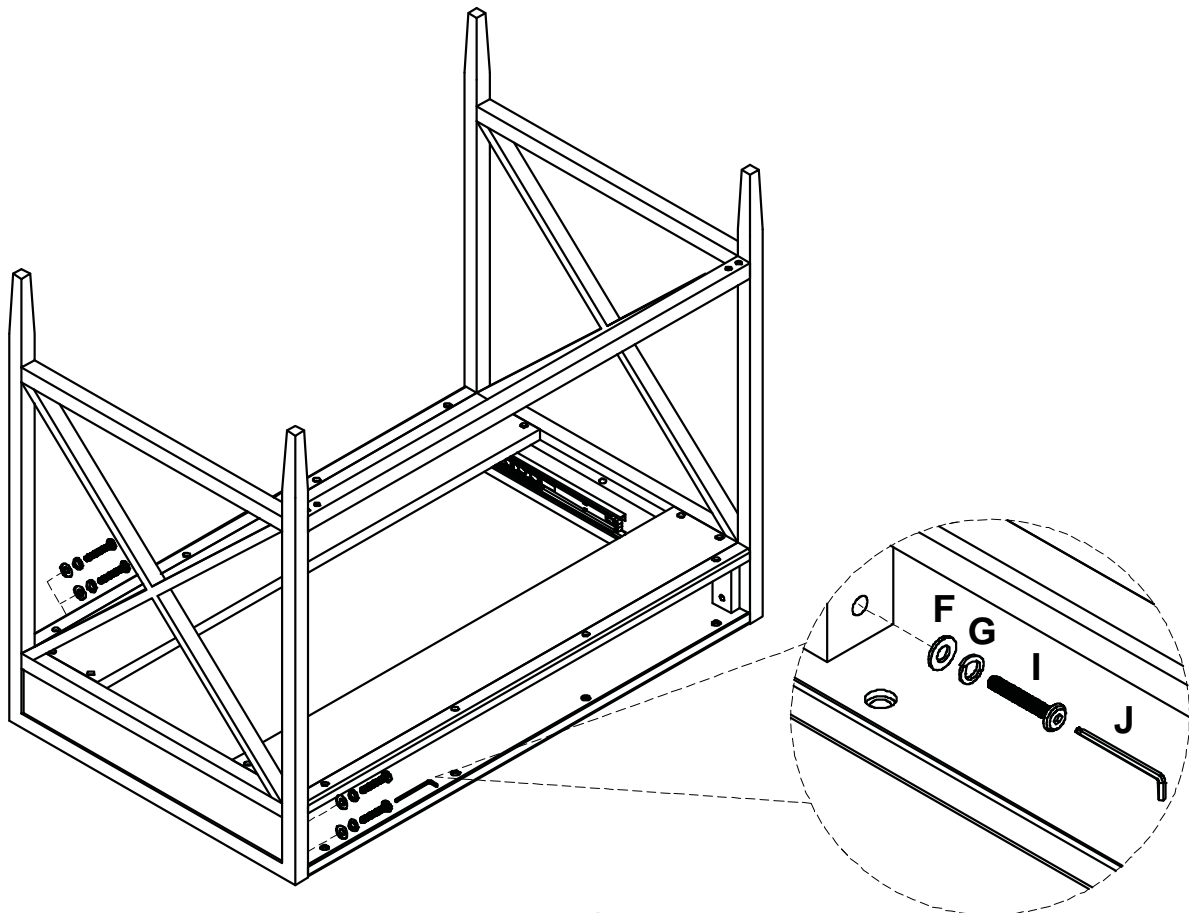
4. Attach Right Frame (B) to the assembly as shown.



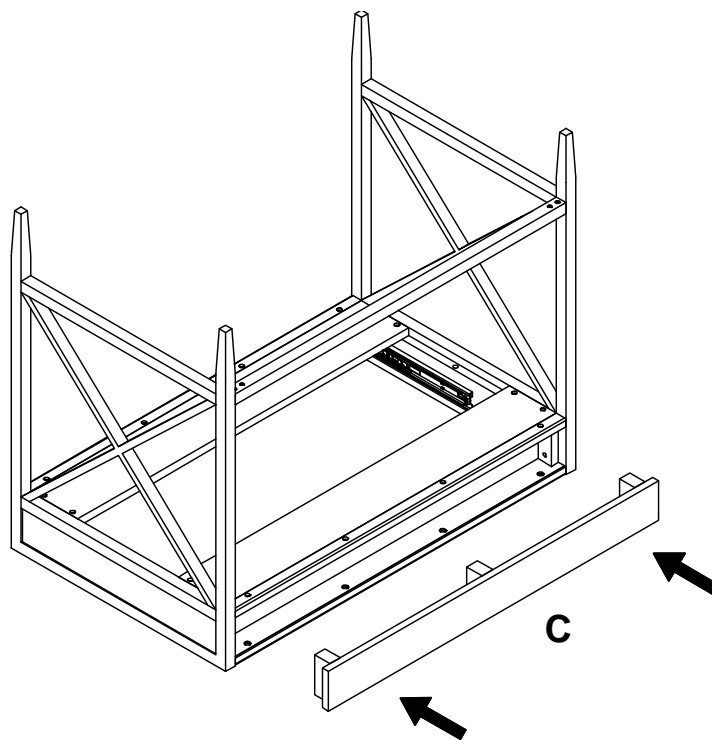
5. Secure the bottom rail with Bolt (H), Spring Washer (G) and Flat Washer (F), tighten with Allen Wrench (J).



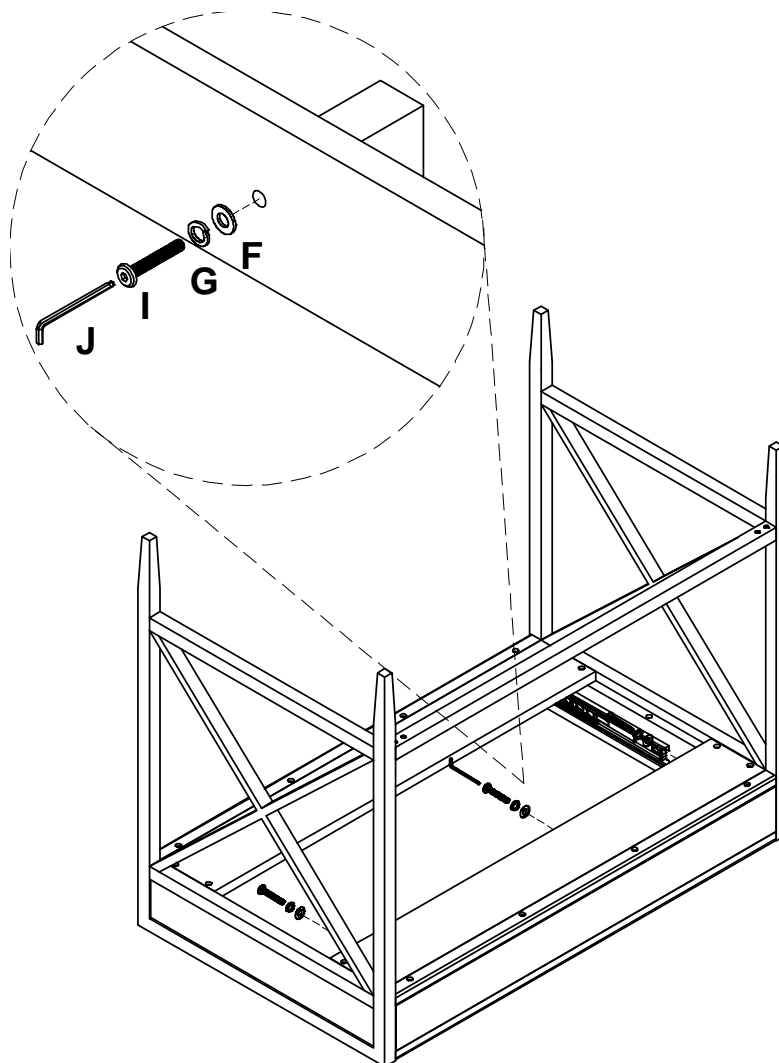
6. Secure the side frame with Bolt (I), Spring Washer (G) and Flat Washer (F), tighten with Allen Wrench (J).



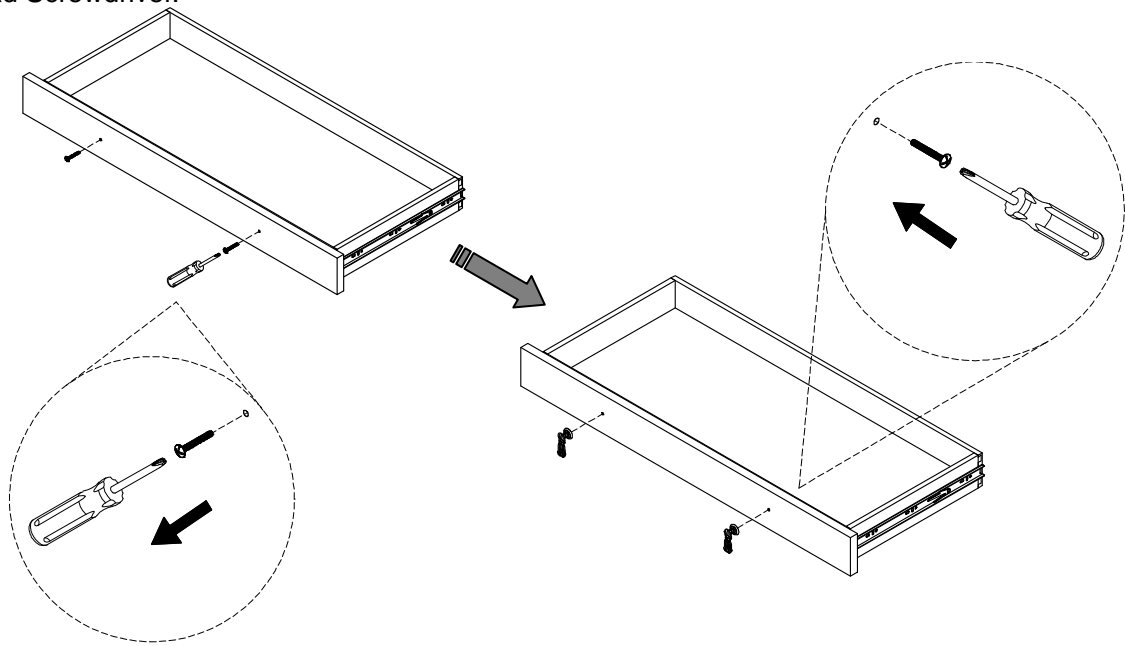
7. Attach Top Rail (C) to the assembly as shown.



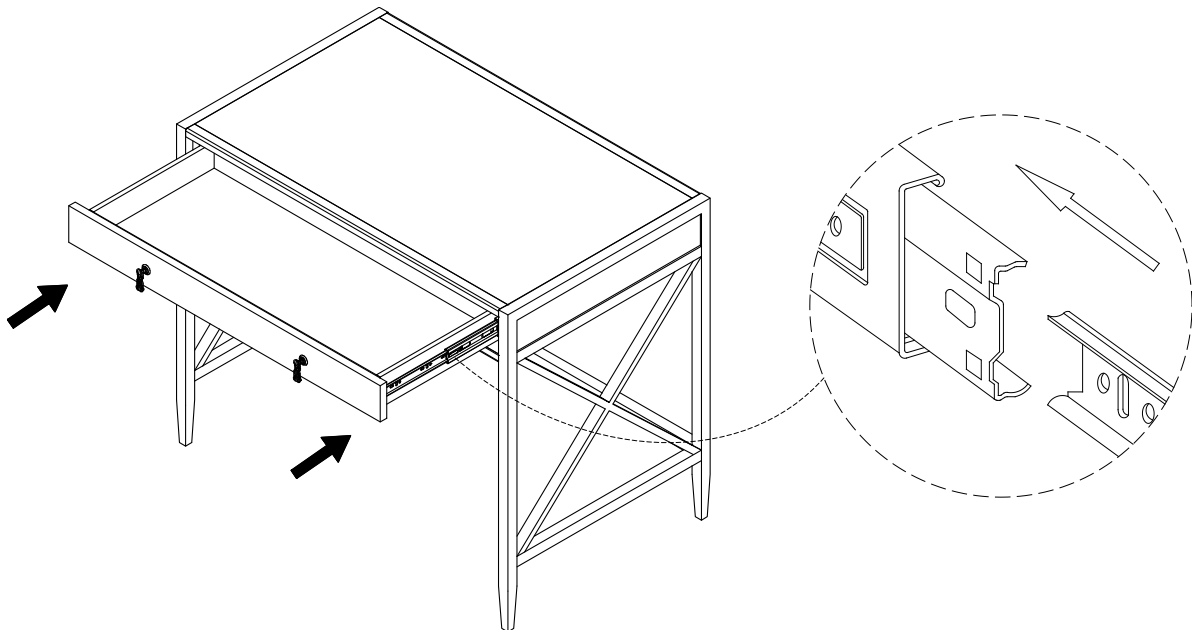
8. Secure the rail from inner side of drawer box by using Bolt (I), Spring Washer (G) and Flat Washer (F), tighten with Allen Wrench (J).



9. Unscrew the handle from interior of drawer, and then screw it on to the exterior of the drawer using Phillips Head Screwdriver.



10. Pull out the inner rail of the slide on drawer box out to the maximum extent. Align the slide on drawer with the slide on drawer box as shown, push drawer into the box. Push and pull the drawer back and forth a few times until it is locked firmly.



Care Instructions:

- Dust often using a clean, soft, dry and lint-free cloth.
- Blot spills immediately and wipe with a clean, damp, cloth.
- We do not recommend the use of chemical cleansers, abrasives or furniture polish on our lacquered finish.
- Hardware may loosen over time. Periodically check to make sure all connections are tight. Re-tighten if necessary.

Thank you for your purchase
Stores | catalog