

pottery barn kids

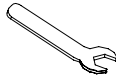
CAROLINA KIDS LARGE TABLE

Please read all instructions before beginning assembly. Save all packing materials until assembly is complete to avoid accidentally discarding smaller parts or hardware. Do not substitute parts, use only vendor-supplied hardware.

CAUTION: Assembly required. This item contains small parts that have sharp points and edges in the unassembled state. Care should be taken when unpacking and assembling this item. Use caution when using power tools to aid in assembly. Power tools can split wood or strip hardware if not used carefully. Never over tighten hardware.

TOOLS REQUIRED:

Open End Wrench (included) (A)



PARTS INCLUDED:

1 Table Top

4 Legs

4 Lock Washers (B)



4 Nuts (C)



4 Flat Washers (D)

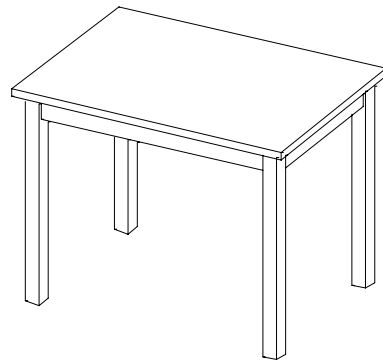
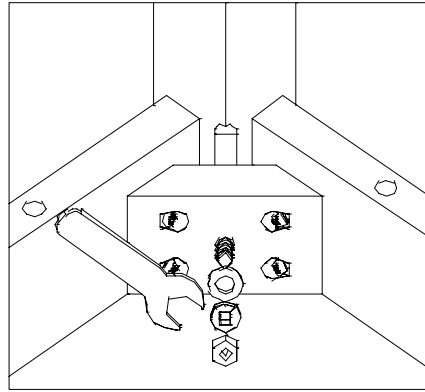
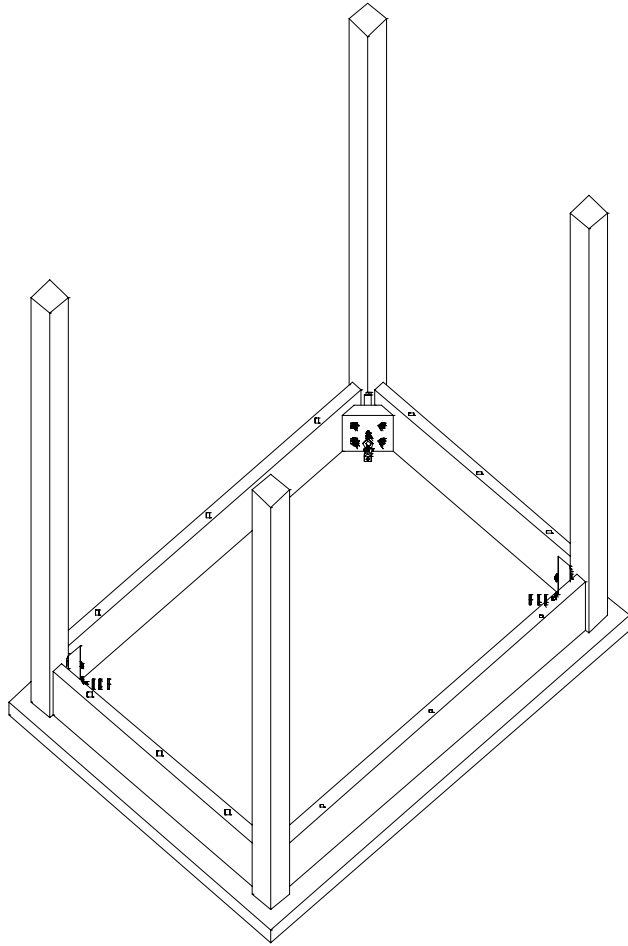


ASSEMBLY:

1. Lay Table Top upside-down on a soft surface such as a rug or carpet as shown.
2. Insert a Leg into the corner slot of Table Top.
3. Place over threaded Leg bolt in this order: Flat Washer (D), then Lock Washer (B) and finally Nut (C).
4. Tighten with Open End Wrench (A).

CARE:

Dust often with a soft dry cloth.



Thank you for your purchase
stores | catalog | www.potterybarnkids.com
1.800.290.8181