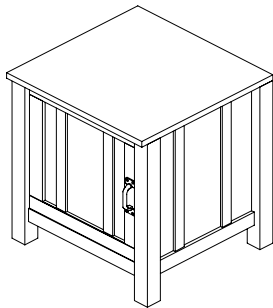


pottery barn kids

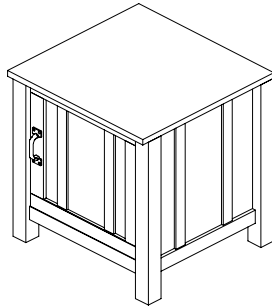
CAMP SKINNY BASE LEFT/RIGHT

PRE-ASSEMBLY:

- For your safety and ease, assembly by two adults is recommended.
- Please read all instructions before beginning assembly. The illustrations provided allow for easier assembly when used in conjunction with the assembly instructions.
- Remove all parts and hardware from box and lay out on a carpeted or scratch-free work surface. The shipping box provides an ideal work surface. Do not dispose of any contents until assembly is completed to avoid accidentally discarding small parts or hardware.
- Use the parts and hardware lists to identify and separate each of the pieces included prior to starting assembly.
- Note: DO not fully tighten the bolts until all parts are in place. Failure to follow these instructions may cause the bolts to misalign during assembly.
- If using power tools to aid in assembly please use caution. Power tools can damage hardware or split wood.



LEFT




RIGHT

PARTS INCLUDED:

- (A) Skinny Base – 1pc
- (B) Removable Shelf – 1pc

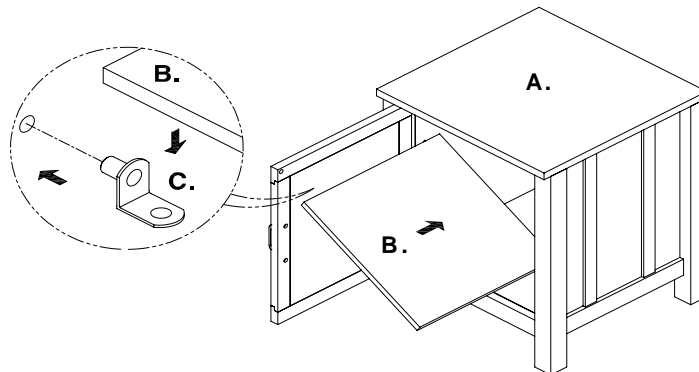
HARDWARE INCLUDED:

- (C) Shelf Support Peg  - 4pcs

Note: Left Skinny Base and Right Skinny Base are sold separately.

ASSEMBLY INSTRUCTIONS:

1. Insert the (4) Shelf Support Pegs (C) into the pre-drilled holes on interior sides of the Left/Right Side Panels of the Skinny Base at the desired height. Place the Removable Shelves (B) onto the Shelf Support Pegs (C).



CARE INSTRUCTIONS:

- Dust often using a clean, soft, dry lint-free cloth.
- Blot spills immediately, and wipe with a clean, damp, cloth.
- We do not recommend the use of chemical cleansers, abrasives, or furniture polish on our lacquered finish.

Thank you for your purchase.
stores | catalog | www.potterybarnkids.com
USA 1.800.290.8181