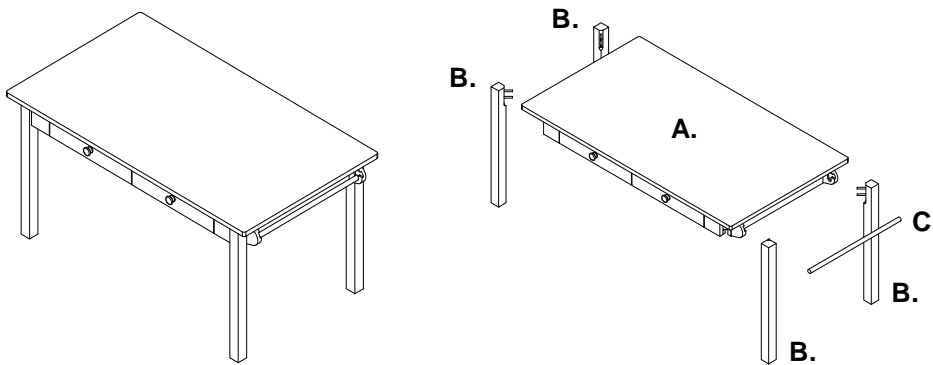


pottery barn kids

Carolina Craft Table Two Drawer

PRE-ASSEMBLY:

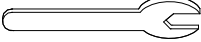
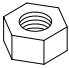


- Please read all instructions before beginning assembly.
- For your safety and ease, assembly by two adults is recommended.
- Remove all parts and hardware from box and lay out on a carpeted or scratch-free work surface, as this will avoid damaging any parts during assembly. The shipping box provides an ideal work surface.
- Do not dispose of any contents until assembly is completed to avoid accidentally discarding small parts or hardware.
- Use the parts and hardware lists to identify and separate each of the pieces included.
- Note: Do not fully tighten all bolts until all parts are in place. Failure to follow these instructions may cause the bolts to misalign during assembly.
- The use of power tools for assembly is not recommended. Power tools can damage hardware or split wood.



PARTS INCLUDED:

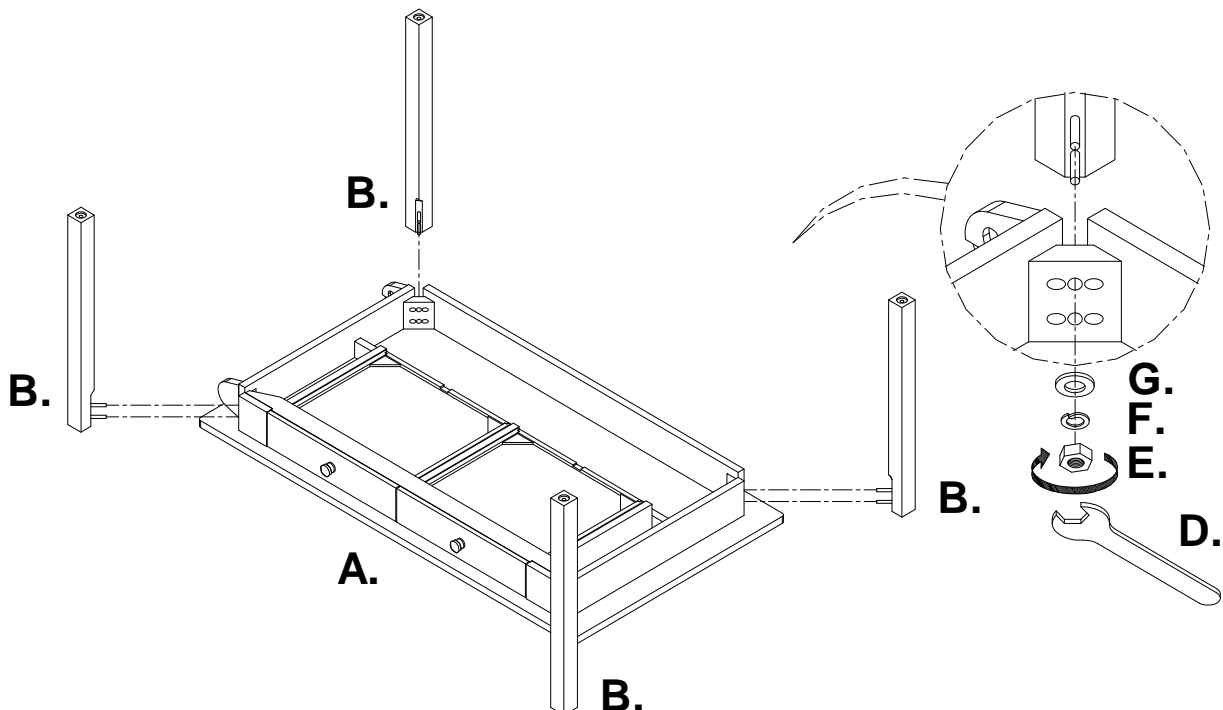
- (A) Tabletop – 1pc
- (B) Leg – 4pcs
- (C) Paper Rod -1pc

HARDWARE INCLUDED:

			
(D) Wrench – 1pc	(E) Nut 5/16" – 8pcs	(F) Spring Washer – 8pcs	(G) Flat Washer – 8pcs

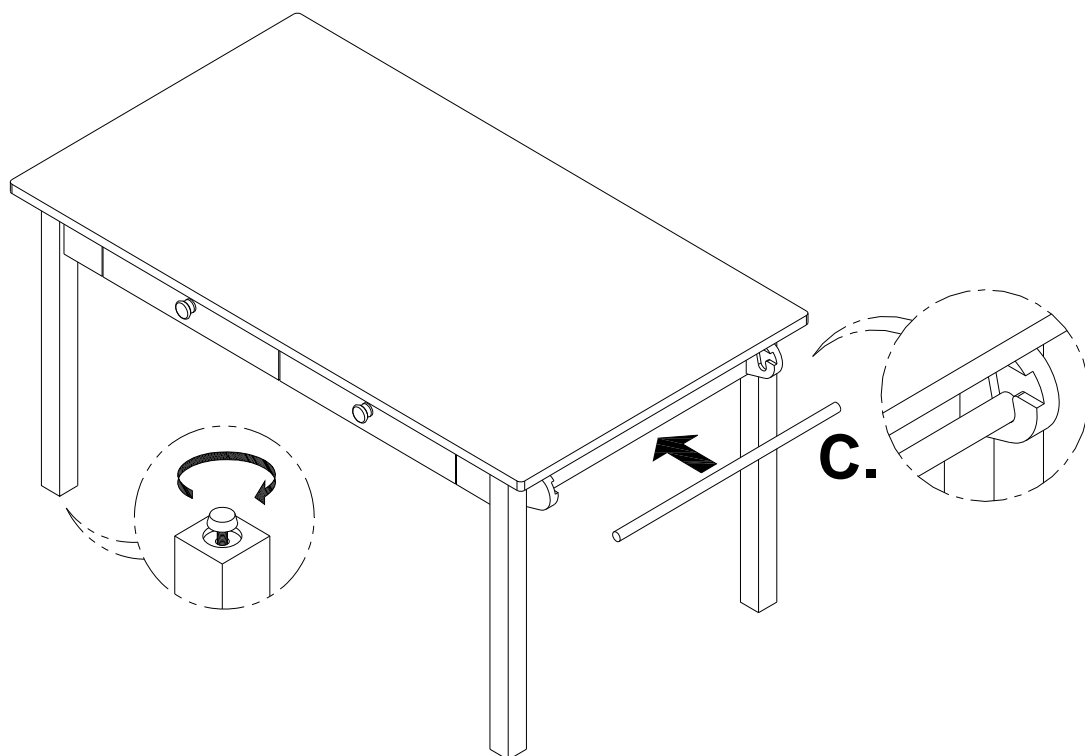
ASSEMBLY INSTRUCTIONS:

1. Place Desktop (A) upside down on a soft, scratch free surface. Attach a Leg (B) to one corner and secure it with a Flat Washer (G), Spring Washer (F), Nut (E) and Wrench (D) on each hanger bolt as shown below. Repeat with the other (3) legs.



2. Turn the assembled table in upright position. Place the Paper Rod (C) into cut-outs of the wooden blocks on the right side. NOTE: Paper Roll is not included.

Adjust levelers on bottom of legs to keep table level when needed.



CARE INSTRUCTIONS:

- Dust often using a clean, soft, dry lint-free cloth.
- Blot spills immediately, and wipe with a clean, damp, cloth.
- We do not recommend the use of chemical cleansers, abrasives or furniture polish

Thank you for your purchase.
stores | catalog | www.potterybarnkids.com
USA 1.800.290.8181