

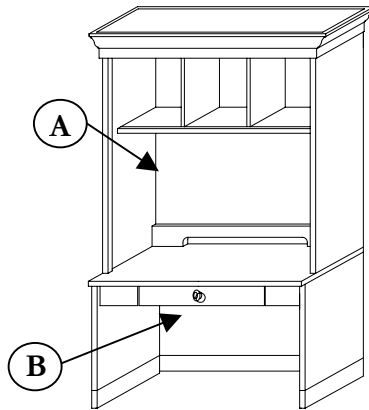
pottery barn kids

thomas wall system desk hutch

- Please read all instructions carefully before beginning assembly.
- For your safety, assembly by two people is recommended.
- Save all packing materials until assembly is complete to avoid accidentally discarding smaller parts or hardware.
- Philips head screwdriver is required, but not included.

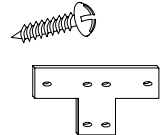
Parts Enclosed:

- (1) Wall Desk Hutch (A)
- (1) Wall Desk (B)



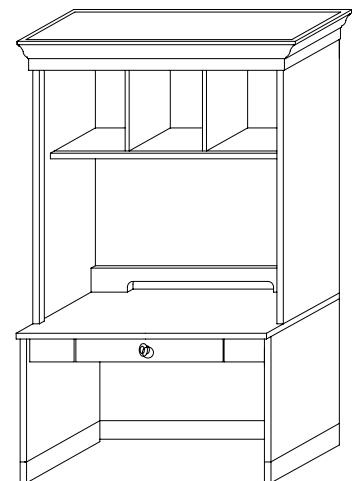
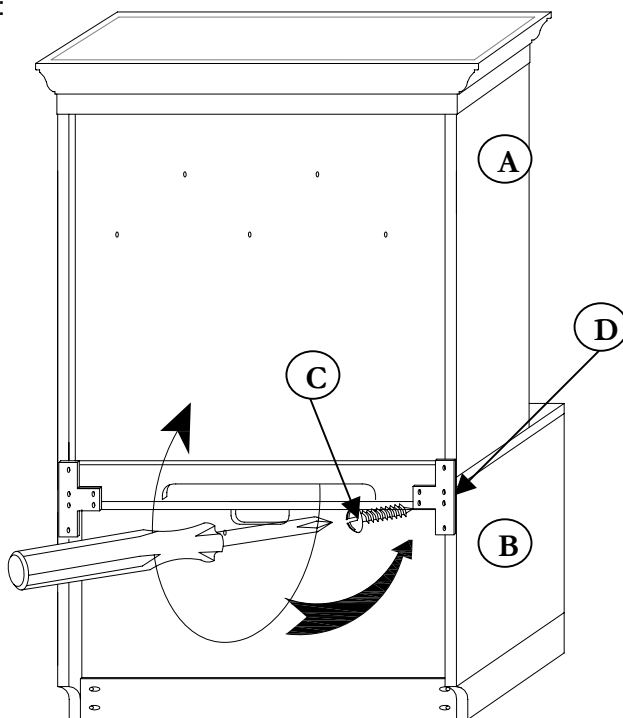
Hardware Enclosed:

- (12) PHS M4x16mm (C)
- (2) T Mending Plate (D)



To attach wall hutch to the cabinet, please follow these steps:

ASSEMBLY:



Assembled

1. Using two people: carefully raise the hutch (A) up and place on the desktop (B). Attach the connection plates (D) by aligning the plates with the pre-drilled pilot holes. Use PHS screws (C) to fasten the connections.
2. Assembly is complete.

The use of power tools during the assembly of this item can cause the hardware to strip or the wood to split. Please proceed with extreme care.

CARE INSTRUCTIONS:

- To clean, wipe with a soft dry or slightly damp cloth.

Thank you for your purchase