

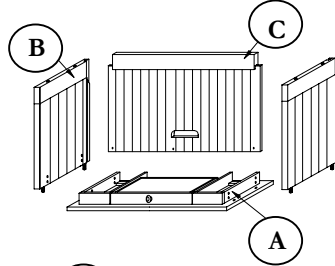
pottery barn kids

thomas wall desk

- Please read all instructions carefully before beginning assembly.
- For your safety, assembly by two people is recommended.
- Save all packing materials until assembly is complete to avoid accidentally discarding smaller parts or hardware.
- Philips head screwdriver not included.

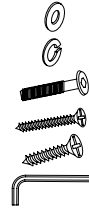
Parts Enclosed:

- (1) Table top (A)
- (2) Left & Right Side Panel (B)
- (1) Back Panel (C)

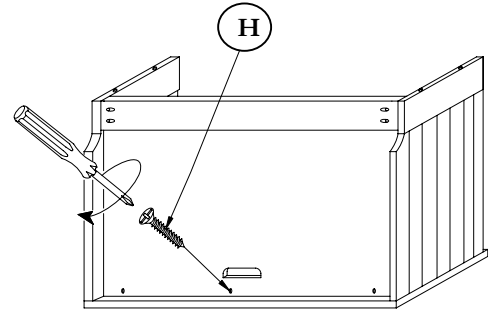
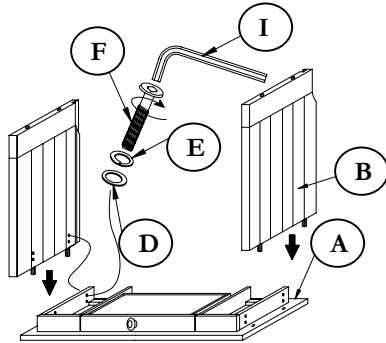


Hardware Enclosed:

- (8) Flat Washer M6 (D)
- (8) Spring Washer M6 (E)
- (8) JCBC M6x35mm (F)
- (4) CBS M4x30mm (G)
- (3) CBS M4 x 20mm (H)
- (1) Allen Key (I)

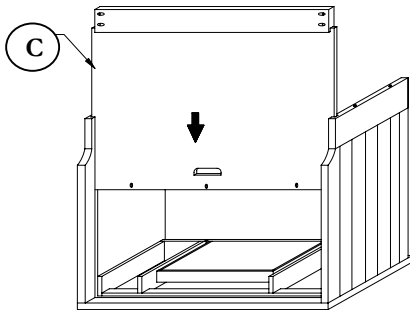


ASSEMBLY:

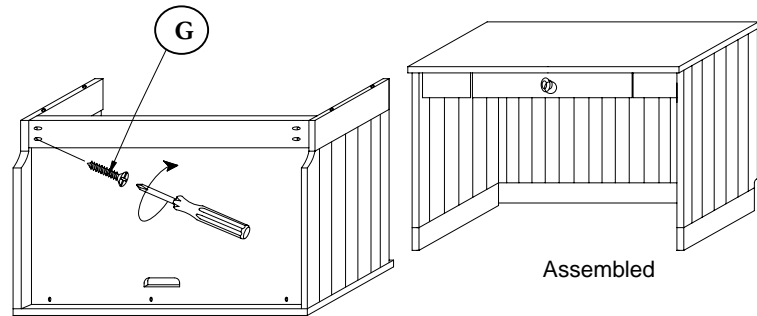


3. Use CBS screws (H) to fasten back panel as shown.

- Carefully lay the table top (A) upside down on scratch-free surface such as a rug or carpet. Attach the side panel (B) to the table top using the wood dowels and pre-drilled holes as guides. Use flat washer (D), spring washer M6 (E), and JCBC screw (F) to fasten the connection with Allen Key (I). Repeat same procedure for the opposite side panel.



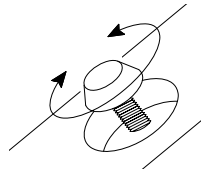
- Carefully slot the back panel (C) along the groove line designed into the side panels until it seats inside the table top.



- Align the pre-drilled hole on both Left & Right of side panel to the Back panel. Use CBS screw (G) to fasten the bottom part of back panel to the side panel with screw driver. Grip the table firmly at each end and turn upright. Assembly is complete.

If your floor is not perfectly even, the furniture may not sit level causing it to wobble. If the piece wobbles, determine which corner does not completely touch the ground. With two people, follow these steps:

- Carefully elevate the item slightly to provide access to the levellers attached to the bottom.
- Turn the levellers in a counter-clockwise direction.
- Gently set down the piece and check stability.
- Repeat steps until the furniture sits firmly on the ground.



The use of power tools during the assembly of this item can cause the hardware to strip or the wood to split. Please proceed with extreme care.

CARE:

- To clean, wipe with a soft dry or slightly damp cloth.

Thank you for your purchase