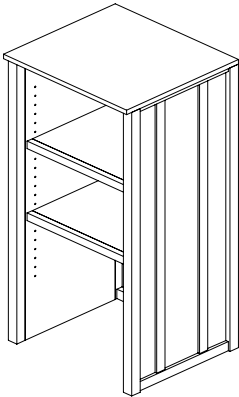


pottery barn kids CAMP SKINNY HUTCH

PRE-ASSEMBLY:

- For your safety and ease, assembly by two adults is recommended.
- Please read all instructions before beginning assembly. The illustrations provided allow for easier assembly when used in conjunction with the assembly instructions.
- Remove all parts and hardware from box and lay out on a carpeted or scratch-free work surface. The shipping box provides an ideal work surface. Do not dispose of any contents until assembly is completed to avoid accidentally discarding small parts or hardware.
- Use the parts and hardware lists to identify and separate each of the pieces included prior to starting assembly.
- Note: DO not fully tighten the bolts until all parts are in place. Failure to follow these instructions may cause the bolts to misalign during assembly.
- The use of power tools for assembly is not recommended. Power tools can damage hardware or split wood.



PARTS INCLUDED:

(A) Skinny Hutch – 1pc

PARTS REQUIRED:

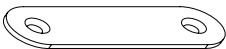

Skinny Base– 1pc, packaged separately

TOOLS REQUIRED:

Phillips Screwdriver (Not included)

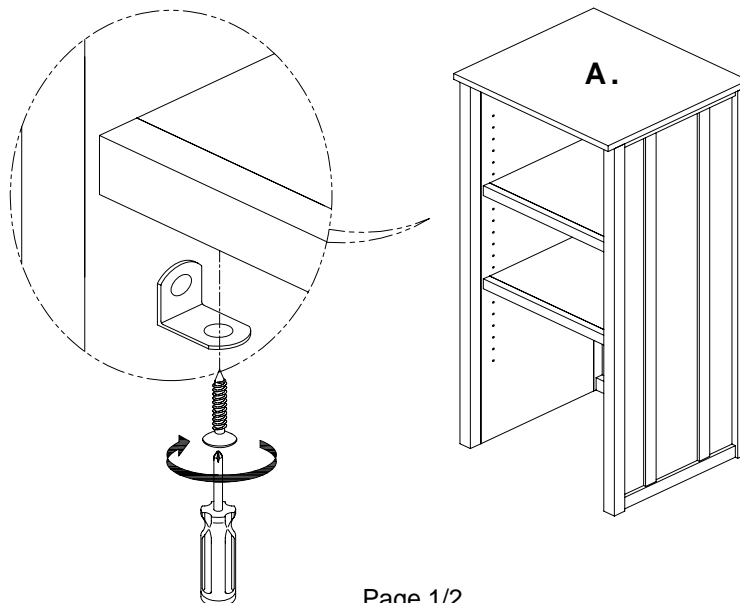


HARDWARE INCLUDED:

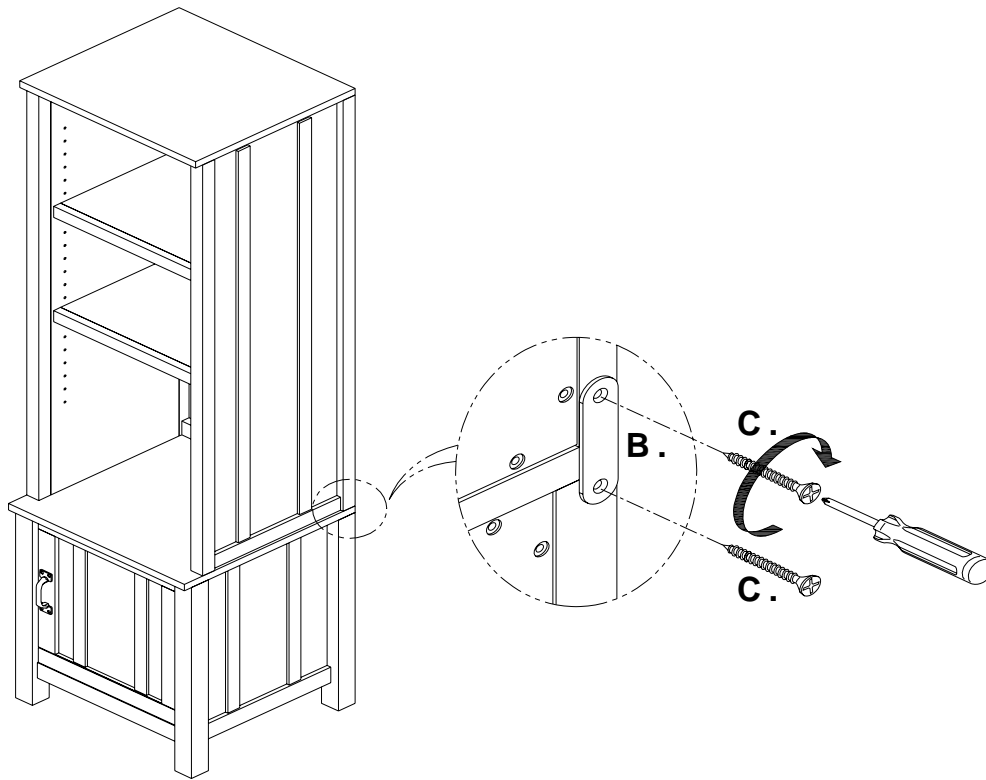
 (B) Connecting Bracket – 2pcs	 (C) Short Wood Screw 3.5 x 12mm – 4pcs
--	---

ASSEMBLY INSTRUCTIONS:

1. The Shelves are pre-installed inside the Hutch (A). To move any shelf, remove the Screws pre-attached to the Shelf Pins using a Phillip Head Screwdriver. Set the Shelf aside and the remove the Shelf Pins. Reinsert the Shelf Pins at the desired height and replace the Shelf. Fasten using the Philips Head Screwdriver (not included).



2. Carefully place the Skinny Hutch (A) on the Skinny Base (packaged separately). Align a Connecting Bracket (B) over the predrilled holes on the Small Hutch and the Small Base and secure with (2) Short Wood Screws (C). Repeat with the other Connecting Brackets on the other side.



CARE INSTRUCTIONS:

- Dust often using a clean, soft, dry lint-free cloth.
- Blot spills immediately, and wipe with a clean, damp, cloth.
- We do not recommend the use of chemical cleansers, abrasives, or furniture polish on our lacquered finish.

Thank you for your purchase.
stores | catalog | www.potterybarnkids.com
USA 1.800.290.8181