

pottery barn kids

CAMP MEDIA WALL HUTCH



CAUTION

The top shelf of this cart/stand is intended for use with:
Plasma/LCD/DLP/HD televisions having a maximum screen size of 45 inches and weight of 100 lbs.
All other support shelves should not be loaded more than 25 lbs.

DO NOT EXCEED RECOMMENDED LOAD. Use with products heavier than the maximum sizes and weights indicated may result in instability causing possible injury.

This unit contains a permanent sticker located either beneath media support shelf or inside drawer.

Do not allow children under 16 years to move cart.



MISE EN GARDE

L'étagère supérieure de ce support ou chariot est destinée à recevoir :
une télévision à écran plasma ou haute densité dont l'écran ne mesure pas plus de 114 cm et qui ne pèse pas plus de 45.4 kg.

Les autres étagères ne doivent pas recevoir une charge de plus de 11 kg.

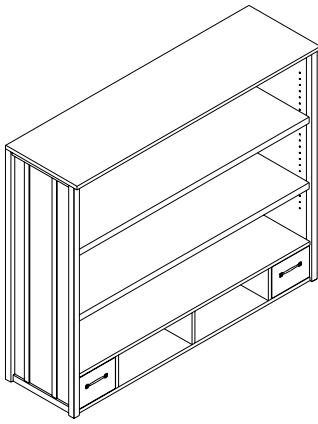
NE PAS DÉPASSER LA CHARGE RECOMMANDÉE. L'utilisation avec des articles qui dépassent la taille et le poids recommandés peut rendre l'article instable et entraîner des blessures.

Cet article comprend un autocollant permanent, placé soit sous l'étagère supérieure, soit à l'intérieur du tiroir.

Il faut interdire à tout enfant de moins de 16 ans de déplacer le chariot.

PRE-ASSEMBLY:

- For your safety and ease, assembly by two adults is recommended.
- Please read all instructions before beginning assembly. The illustrations provided allow for easier assembly when used in conjunction with the assembly instructions.
- Remove all parts and hardware from box and lay out on a carpeted or scratch-free work surface. The shipping box provides an ideal work surface. Do not dispose of any contents until assembly is completed to avoid accidentally discarding small parts or hardware.
- Use the parts and hardware lists to identify and separate each of the pieces included prior to starting assembly.
- Note: DO not fully tighten the bolts until all parts are in place. Failure to follow these instructions may cause the bolts to misalign during assembly.
- If using power tools to aid in assembly please use caution. Power tools can damage hardware or split wood.



PARTS INCLUDED:

- (A) Media Wall Hutch – 1pc
- (B) Removable Shelf – 2pcs

PARTS REQUIRED:


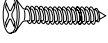

Camp Media Wall Base (Sold Separately)

TOOLS REQUIRED:

Philips Screwdriver (Not included)

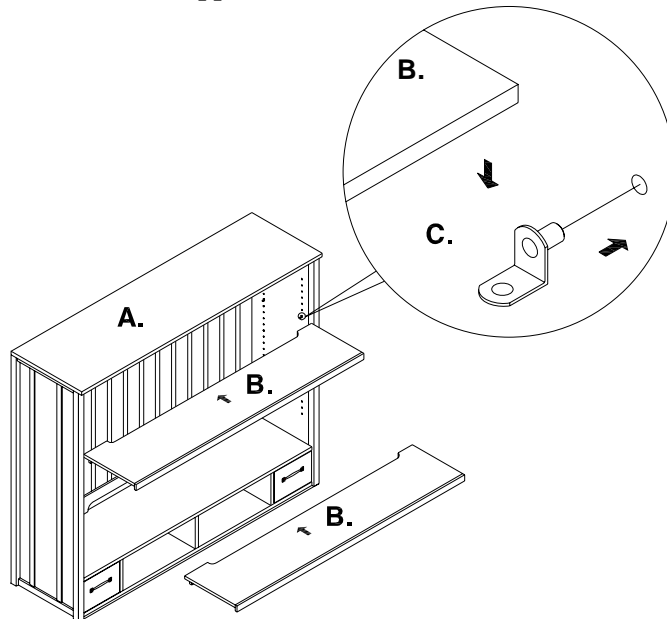


HARDWARE INCLUDED:

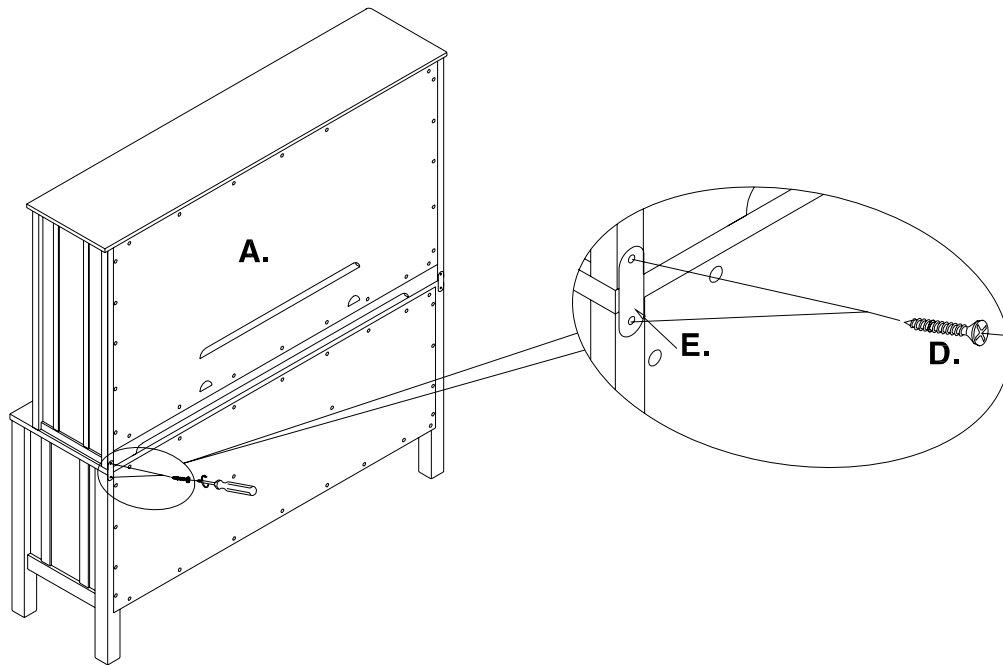
 <p>(C) Shelf Support Peg – 8pcs</p>	 <p>(D) Short Wood Screw 3.5 x 12mm – 4pcs</p>	 <p>(E) Connecting Bracket – 2pcs</p>
---	---	--

ASSEMBLY INSTRUCTIONS:

1. Insert (4) Shelf Support Pegs (C) into the pre-drilled holes on interior sides of the Left/Right Side Panels of the Media Wall Hutch at the desired height. Place Removable Shelf (B) on the Shelf Support Pegs (C). Repeat with second shelf. **NOTE: Support shelves should not be loaded more than 25 lbs.**



2. To connect Media Wall Hutch (A) to the Media Wall Base (Sold Separately), carefully lift the Media Wall Hutch (A) onto the Media Wall Base. Align a Connecting Bracket (E) over the predrilled holes on the Media Wall Hutch and the Media Wall Base and secure with (2) Short Wood Screws (D). Repeat with the other Connecting Bracket on the other side.



CARE INSTRUCTIONS:

- Dust often using a clean, soft, dry, lint-free cloth.
- Blot spills immediately, and wipe with a clean, damp cloth.
- We do not recommend the use of chemical cleansers, abrasives, or furniture polish on our lacquered finish.

Thank you for your purchase.
stores | catalog | www.potterybarnkids.com
USA 1.800.290.8181