

pottery barn kids

THOMAS DRESSER HUTCH

PRE-ASSEMBLY:

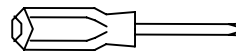
Please read all instruction before beginning assembly. For your safety and ease, assembly by two-person assembly is recommended. Save all packing materials until assembly is complete to avoid accidentally discarding smaller parts or hardware. Use caution when using power tools to aid in assembly. Power tools can split wood or strip hardware if not used carefully.

PARTS INCLUDED:

Shelf (1)

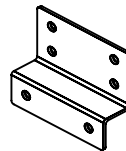
TOOLS INCLUDED:

Phillips head screwdriver (not included)

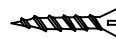


HARDWARE:

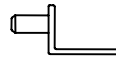
A- Metal plate (x2)



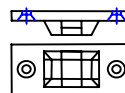
B- Small Phillips head screws (x14)



C- Shelf support pegs (x4)



D- Brackets 48x21x10mm (2)



E- Long screws 6x32mm (2)



F- Short screws 6x19mm (2)



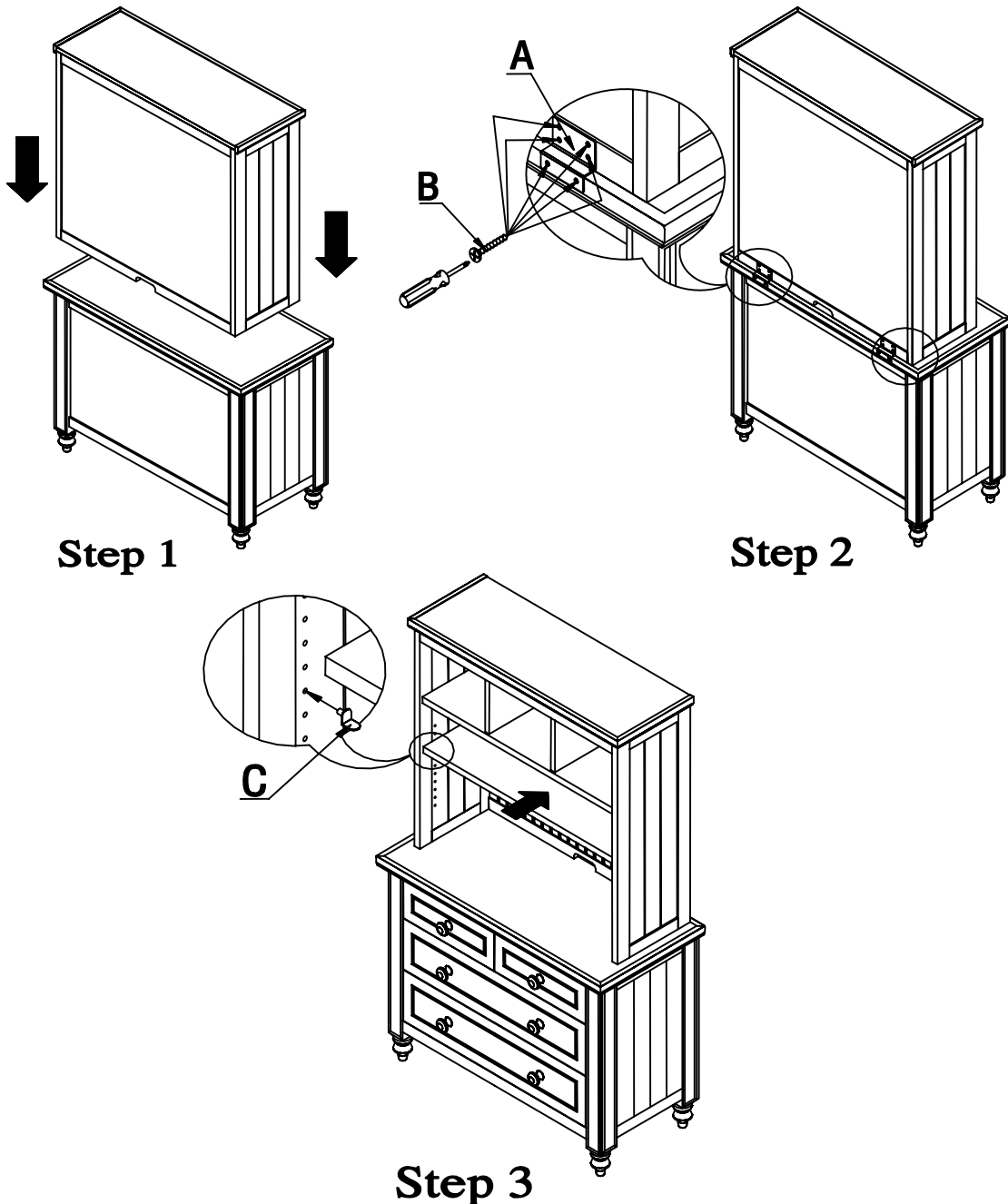
G- Nylon strap 255x12x8mm (1)



ASSEMBLY:

Step#1 through #3

1. Set the dresser hutch on the short dresser.
2. Attach one of the (A) metal plates near the back edge of the dresser hutch by inserting the (B) small Phillips head screws through the holes in the bracket. Allow the screws to drill directly into the wood of the furniture. Repeat with other bracket.
3. Determine the desired height for shelf using the corresponding peg holes on the hutch interior. Insert the (C) shelf support pegs into the pre-drilled holes until fully secure. Place shelf onto the support pegs making sure the shelf is stable.



Thank you for your purchase.

stores | catalog | www.potterybarnkids.com

USA 1.800.290.8181

FURNITURE TIPPING RESTRAINT

Young children may be injured by tipping furniture. The use of a tipping restraint is highly recommended. When properly installed, this restraint could provide protection against the unexpected tipping of furniture due to small tremors, bumping or climbing. We recommend mounting this restraint to a wall stud.

WARNING: This product is only a deterrent. It is not a substitute for proper adult supervision.

Hardware Included (also described on page one):

D - Brackets (x2)

E - Long screws (x 2)

F - Short screws (x 2)

G - Nylon strap (x 1)

INSTALLATION INSTRUCTIONS:

1. Locate a wall stud behind your furniture, Position a bracket (D) on the stud approximately 1" below the top of the furniture. Mark and drill pilot hole into the center of the stud with a 3/32" drill bit. Attach a bracket (D) to the stud with the long screws (E) provided.
2. On the back of the furniture, a bracket (D) will need to be attached to the furniture frame at the top. To do this, temporarily move the furniture into its final position and mark the location of the wall bracket on the furniture frame. Move the furniture away from the wall and place a bracket on the mark. Mark and drill holes for screws with a 3/32" drill bit. Attach the bracket to the furniture with the short screws (F) provided.
3. Move the furniture into its final position, taking care to line up the wall bracket with the furniture bracket. Thread strap (G) through the bracket as shown in the illustration. Tighten strap until snug. Do not over tighten.

