

# pottery barn kids

## thomas center cabinet base

### PRE-ASSEMBLY:

- Please read all instructions carefully before beginning assembly.
- For your safety, assembly by two people is recommended.
- Save all packing materials until assembly is complete to avoid accidentally discarding smaller parts or hardware.
- Philips head screwdriver not included.

### PARTS INCLUDED:

(A) Shelf – 1 pc

### HARDWARE ENCLOSED:

(B) Shelf Supports – 4pcs

Figure 1

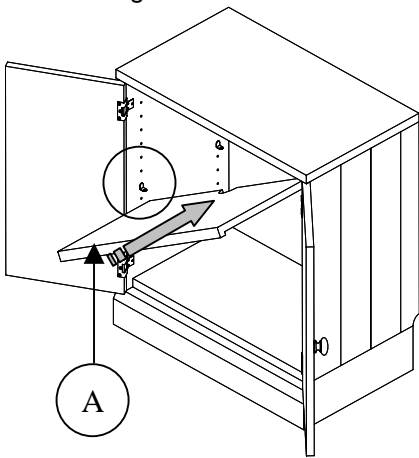


Figure 2

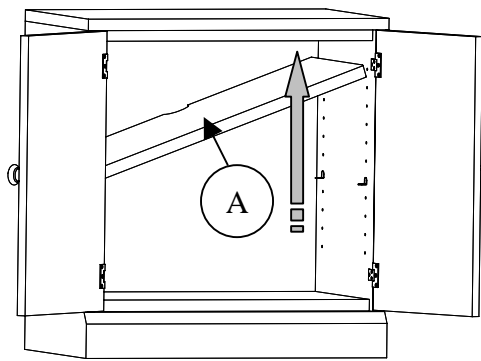
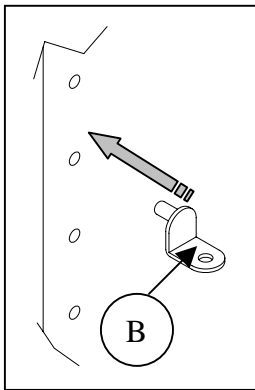
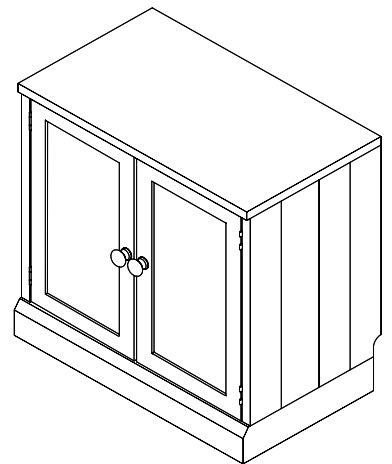


Figure 3



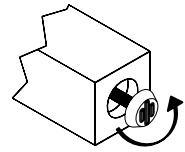
### ASSEMBLY INSTRUCTIONS:

1. Determine the desired height for the shelf (A). **Note: Do not insert all the Shelf Supports at once.** Insert two Shelf Supports (B) into the pre-drilled holes on one side pushing firmly until fully inserted. (Fig 1).
2. Gently tilt the shelf (A) by lowering the other end of the shelf until it seats onto the Shelf Supports (B). Hold the other end in upright position and insert two Shelf Supports (B) into the pre-drilled holes until fully inserted. Gently lower the shelf (A) and rest the entire shelf onto the Shelf Supports (B). (Fig 2)
3. Assembly is complete. (Fig 3)

The use of power tools during the assembly of this item can cause the hardware to strip or the wood to split. Please proceed with extreme care.

If the floor is not perfectly even, the furniture may not sit level causing it to wobble. If the piece wobbles, determine which corner does not touch the ground correctly. With two people follow these steps:

- Carefully elevate the item slightly to provide access to the levellers attached to the bottom.
- Turn the levellers in a counter-clockwise direction.
- Gently set down the piece and check stability.
- Repeat steps until the furniture sits firmly on the ground.



CARE INSTRUCTIONS:

- Dust often using a clean, soft, dry lint-free cloth.
- Blot spills immediately, and wipe with a clean, damp, cloth.
- We do not recommend the use of chemical cleansers, abrasives, or furniture polish on our lacquered finish.

Thank you for your purchase  
stores | catalog | [www.potterybarnkids.com](http://www.potterybarnkids.com)  
USA 1.800.290.8181