

pottery barn kids

thomas wall cabinet & hutch (right & left)

PRE-ASSEMBLY:

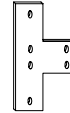
- Please read all instructions carefully before assembling.
- For your safety, assembly by two people is recommended.
- Save all packing materials until assembly is complete to avoid accidentally discarding smaller parts or hardware.
- The use of power tools during the assembly of this item can cause the hardware to strip or the wood to split. Please proceed with extreme care.

PARTS REQUIRED :

- (A) Left Hutch – 1pc
- (B) Left Cabinet – 1pc
- (C) Right Hutch – 1pc
- (D) Right Cabinet – 1pc

HARDWARE ENCLOSED :

- (E) PHS M4 x 16mm – 8pcs
- (F) T Mending Plate – 4pcs



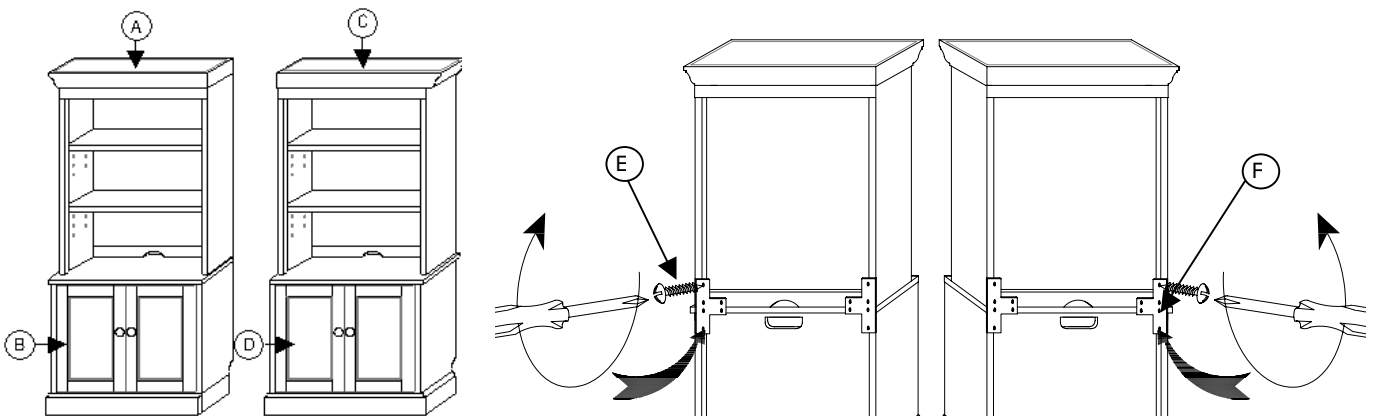
TOOLS REQUIRED:

- Philips head screwdriver (not included)

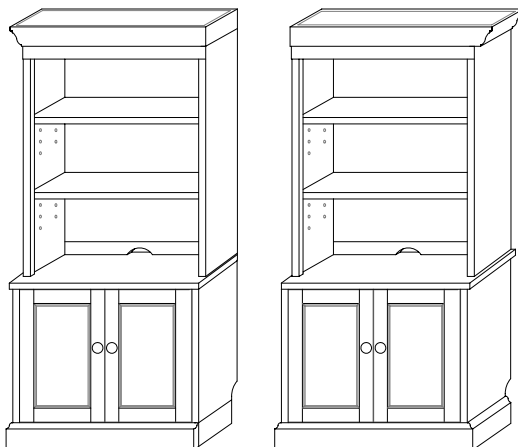
ASSEMBLY:

1. Carefully raise the Left Hutch (A) with another person and set it onto the Left Cabinet (B) as shown. Attach the T mending plate (F) by aligning with the pre-drilled pilot holes. Use PHS screws (E) to fasten the connection by applying gentle pressure to bore through the pilot holes and into the cases. Do not over tighten. Repeat the same procedures for the Right cabinet and Hutch (Fig.1)
2. Assembly is complete. (Fig. 2)

(Fig. 1)



(Fig. 2)



CARE INSTRUCTIONS:

- Dust often using a clean, soft, dry lint-free cloth.
- Blot spills immediately, and wipe with a clean, damp, cloth.
- We do not recommend the use of chemical cleansers, abrasives, or furniture polish on our lacquered finish.

Thank you for your purchase
stores | catalog | www.potterybarnkids.com
USA 1.800.290.8181