

# pottery barn kids

## thomas wall system armoire

### PRE-ASSEMBLY:

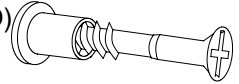
- Please read all instructions carefully before assembling.
- For your safety, assembly by two people is recommended.
- Save all packing materials until assembly is complete to avoid accidentally discarding smaller parts or hardware.

### PARTS REQUIRED :

- (1) Armoire (A)
- (1) Left Cabinet & Hutch (B)
- (1) Right Cabinet & Hutch (C)

### HARDWARE ENCLOSED :

- (1) Connector screw (D)



### TOOLS REQUIRED:

- Philips head screwdriver (not included)

NOTE: Before putting the Connector screw (D), please check to ensure the 3 units (A/B/C) are leveled. By adjusting the leveler at the bottom of each unit, once the horizontal levels of all 3 units (A/B/C) are achieved, you can fasten the connector screw (D).

### ASSEMBLY:

1. Bring all the pieces together. Determine the final position of Wall System. Align the pre-drilled holes on each piece. (Fig. 1)
2. Unscrew each the connector screw (D). Place the female half on the inside of the Armoire (A) and the male half on the inside of the Right cabinet hutch (C). Tighten the two pieces together. Repeat with remaining connector screws for the opposite side. (Fig. 2)
3. Assembly is complete. (Fig. 3)

Figure 1

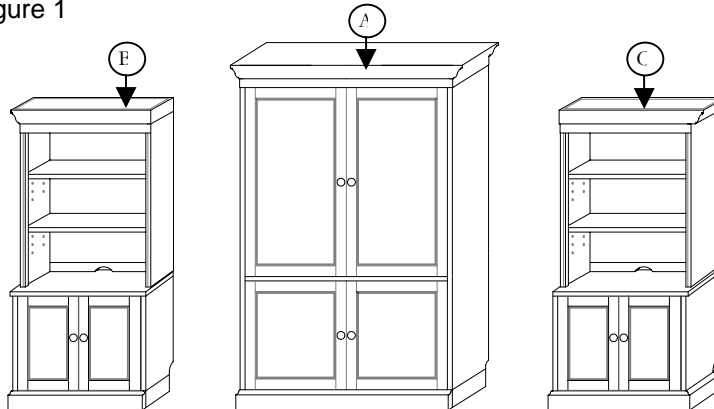


Figure 2

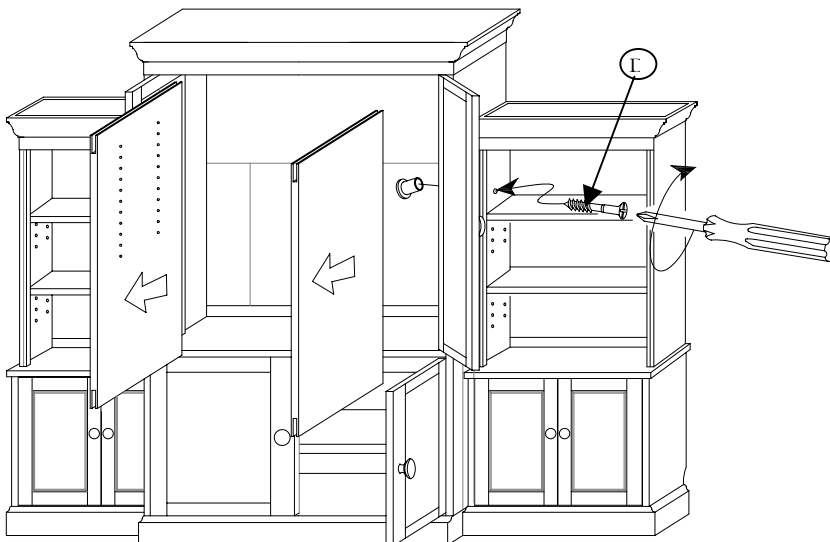
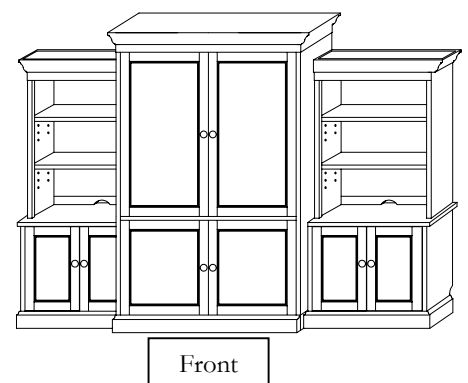


Figure 3



**Note: The wall system should not be moved unless the connector screws are removed.**

The use of power tools during the assembly of this item can cause the hardware to strip or the wood to split. Please proceed with extreme care.

**CARE INSTRUCTIONS:**

- Dust with a clean, soft cloth
- Avoid the use of chemicals and harsh cleaning agents

Thank you for your purchase  
Stores | catalog | [www.potterybarnkids.com](http://www.potterybarnkids.com)  
USA 1.800.290.8181