

pottery barn kids
MADISON CHANGING TABLE



WARNING: FALL HAZARD – To prevent death or serious injury from falls,

always keep child within arm's reach. NEVER LEAVE CHILD UNATTENDED and always use restraining system.

This changing table is intended for use with children weighing up to 50 pounds.

IMPORTANT SAFETY INSTRUCTIONS:

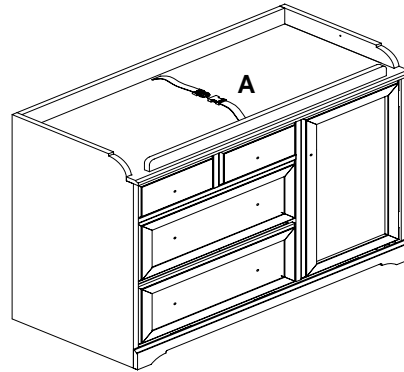
- This changing table is designed to be used with or without a changing pad. The only pad approved for use is the Pottery Barn Kids Contoured Changing Pad (sold separately). The dimensions of that pad are 31 7/8 "(810mm) wide x 15 3/4" (400mm) length x 1 1/2 (40mm) minimum thickness.
- Do not use Changing Table, add on Changing Unit, or Contoured Changing Pad if any parts are damaged or broken.

PRE-ASSEMBLY:

- Please read all instructions before beginning assembly. The illustrations provided allow for easier assembly when used in conjunction with the assembly instructions. Keep instructions for future use.
- For your safety and ease, assembly by two adults is recommended.
- Remove all parts and hardware from box and lay out on a carpeted or scratch-free work surface, as this will avoid damaging any parts during assembly. The shipping box provides an ideal work surface. Do not dispose of any contents until assembly is completed to avoid accidentally discarding email parts or hardware.
- Use the parts and hardware lists to identify and separate each of the pieces included.
- Note: Do not fully tighten all bolts until all parts are in place. Failure to follow these instructions may cause the bolts to misalign during assembly.
- The use of power tools for assembly is not recommended. Power tools can damage hardware or split wood.

PARTS INCLUDED:

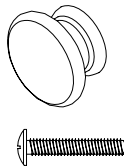
(A) Changing table - 1pc



HARDWARE ENCLOSED:

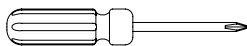
(B) Knob - 7pcs

(C) 3/16" x 1-1/4" Screw - 7pcs



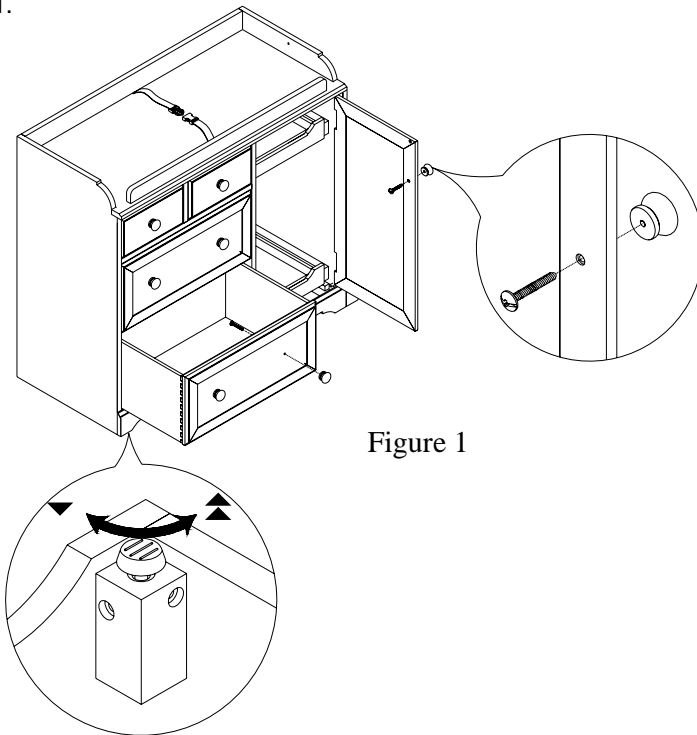
TOOLS REQUIRED:

Phillips head screwdriver (not included)



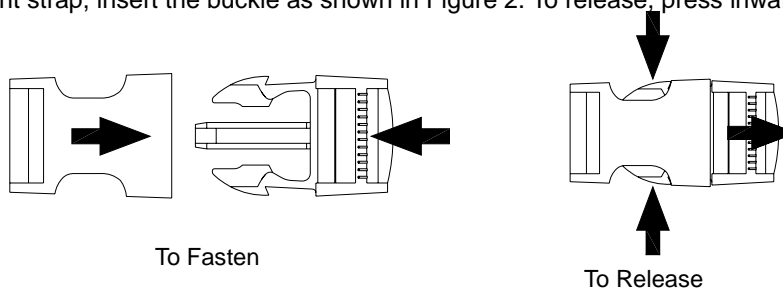
ASSEMBLY INSTRUCTIONS:

1. Fasten Knobs (B) to drawers and door of Changing Table (A) with Screws (C) using Phillips Head screwdriver, as shown in Figure 1.



2. If the piece does not sit level, determine which corner does not touch the ground correctly. With two people follow these steps:
 - Carefully elevate the item slightly to provide access to the levelers attached to the bottom.
 - Turn the levelers in a counter-clockwise direction.
 - Gently set down the piece and check stability.
 - Repeat steps until the furniture sits firmly on the ground. (See Fig.1 above)
3. To fasten restraint strap, insert the buckle as shown in Figure 2. To release, press inward on tabs.

(Fig. 2)



4. **As a safety precaution, please follow the instructions enclosed to secure the changing table to the wall using tipping-restraint kit included.**
5. If you purchase the Pottery Barn Kids Contoured Changing Pad, place it in the large bounded area of the Changing Table (A) for use.

CARE INSTRUCTIONS:

- Dust often using a clean, soft, dry lint-free cloth.
- Blot spills immediately, and wipe with a clean, damp, cloth.
- We do not recommend the use of chemical cleansers, abrasives, or furniture polish on our lacquered finish.
- Check fasteners periodically for tightness. **DO NOT over tighten.** This may cause distortion or breakage.
- Parents should ensure a safe environment for the child by checking regularly, before placing the child in the product, that every component is properly and securely in place.

Thank you for your purchase
stores | catalog | www.potterybarnkids.com
USA 1.800.290.8181