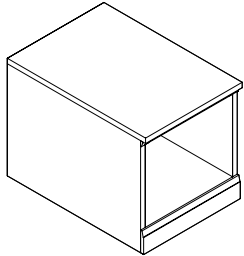


# pottery barn kids

## CAMERON WALL SYSTEM NARROW BASE

### IMPORTANT SAFETY INSTRUCTIONS:




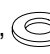
Please read all instructions carefully before assembling.  
For your safety, assembly by two adults is recommended.



### PARTS INCLUDED:

- (A) Top Panel – 1pc
- (B) Bottom Piece – 1pc
- (C) Left Side Panel – 1pc
- (D) Right Side Panel – 1pc
- (E) Back Panel – 1pc

### HARDWARE INCLUDED:

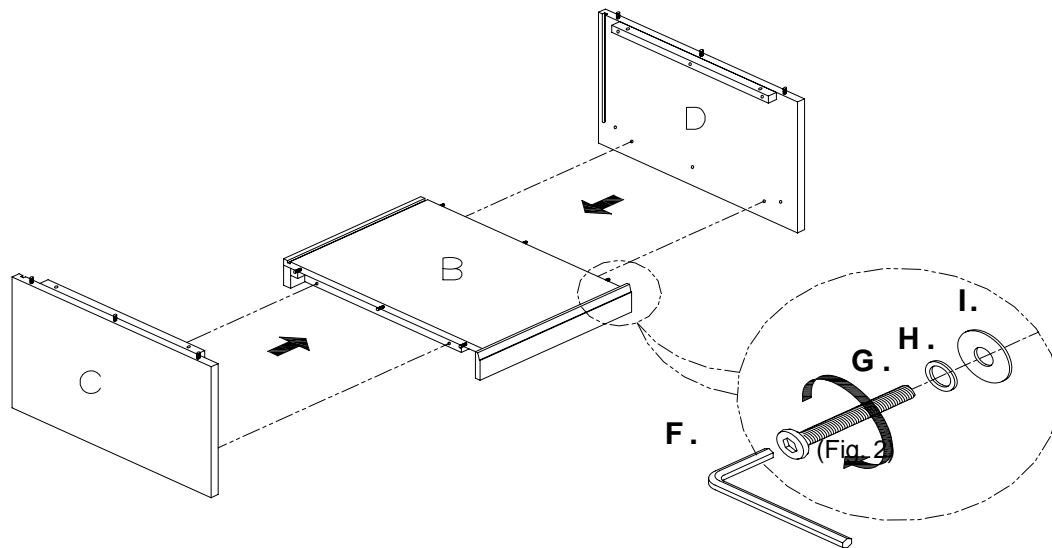
- (F) Allen Key  - 1pc
- (G) Bolt 1/4" x 28mm  - 8pcs
- (H) Spring Washer 1/4"  - 8pcs
- (I) Flat Washer 1/4"  - 8pcs

### PRE-ASSEMBLY:

- Remove all parts and hardware from the box and lay out on a clean, carpeted, or scratch-free work surface, as this will avoid damaging any parts during assembly. The shipping box provides an ideal work surface. Do not dispose of any contents until assembly is completed to avoid accidentally discarding small parts or hardware.
- Use the parts and hardware lists above to identify and separate each of the pieces included.
- The illustrations provided allow for easier assembly when used in conjunction with the assembly instructions.
- Note: Do not fully tighten all bolts until all parts are in place. Failure to follow these instructions may cause the bolts to misalign during assembly.
- If using power tools to aid in assembly please use caution. Power tools can damage hardware or split wood.

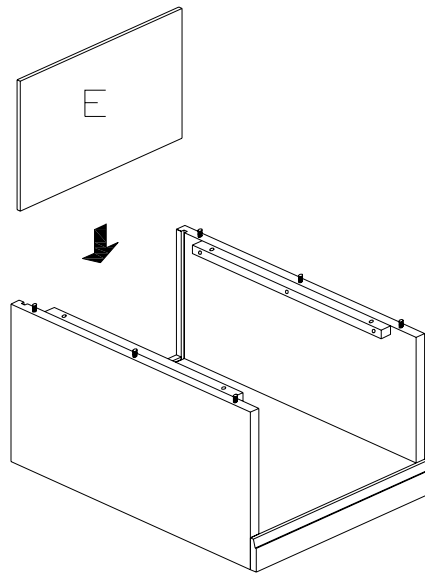
### ASSEMBLY INSTRUCTIONS:

1. Align and insert the pre-drilled holes on the Left/Right Side Panels (C&D) to the wooden dowels on the Bottom Piece (B). Make sure the slots on the Left/Right Side Panels (C&D) are facing each other. (Fig. 1). Secure from the underside of the Bottom Panel (B) with (4) Flat Washers (I), Spring Washers (H) and Bolts (G). Loosely tighten using the Allen Key (F).



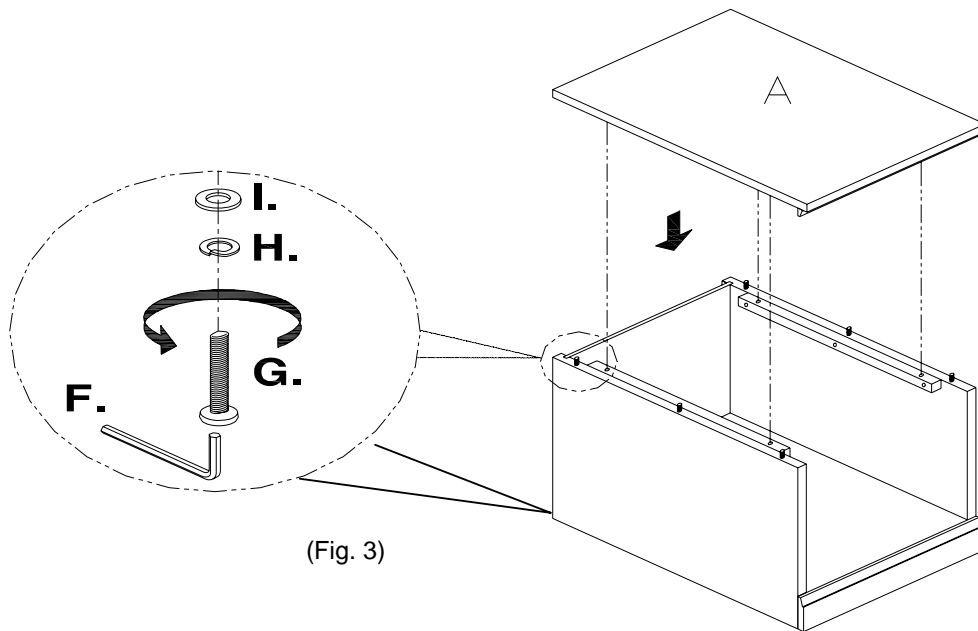
(Fig. 1)

- Slide the Back Panel (E) into the slots on the Left/Right Side Panels (C&D) on the assembled piece. (Fig. 2)



(Fig. 2)

- Place the Top Panel (A) on the assembled piece. Align and insert wooden dowels on the Left/Right Side Panels into the pre-drilled holes on the Top Panel (A). Secure from the underside of the Top Panel (A) with (4) Flat Washers (I), Spring Washers (H) and Bolts (G). Loosely tighten using the Allen Key (F). (Fig.3)



(Fig. 3)

- Check alignments and fully tighten all bolts.

#### CARE INSTRUCTIONS:

- Dust with a clean, soft cloth.
- Bolt spills immediately, and wipe with a clean, damp, cloth.
- We do not recommend the use of chemical cleansers, abrasives, or furniture polish on our lacquered finish.