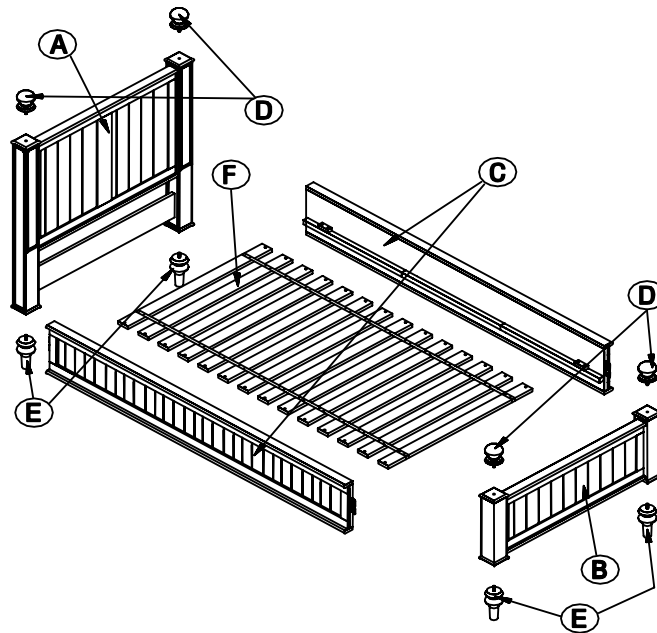


pottery barn kids

THOMAS TWIN/FULL BED

PRE-ASSEMBLY:

- For safety and ease, assembly by two adults is recommended.
- Remove all parts and hardware from the box and lay out on a clean, carpeted, or scratch-free work surface. Use care as some parts or hardware may have sharp points or edges.
- Do not dispose of any contents until assembly is completed to avoid accidentally discarding small parts or hardware.
- Use the parts and hardware lists to identify and separate each of the pieces included.
- Read all instructions before beginning assembly. The illustrations provided allow for easier assembly when used in conjunction with the assembly instructions.
- If using power tools to aid in assembly please use caution. Power tools can damage hardware or split wood.

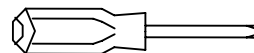


PARTS INCLUDED:

- A - Headboard (1 pc)
- B - Footboard (1 pc)
- C - Side rail (2 pc)
- D - Finials (4 pc)
- E - Feet (4 pc)
- F - Slat Roll (1 pc)

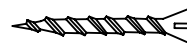
TOOLS NEEDED:

Phillips Head Screwdriver (not included)



HARDWARE INCLUDED:

- G. Phillips Head Screws (28 pc) 8x30mm



ASSEMBLY INSTRUCTIONS:

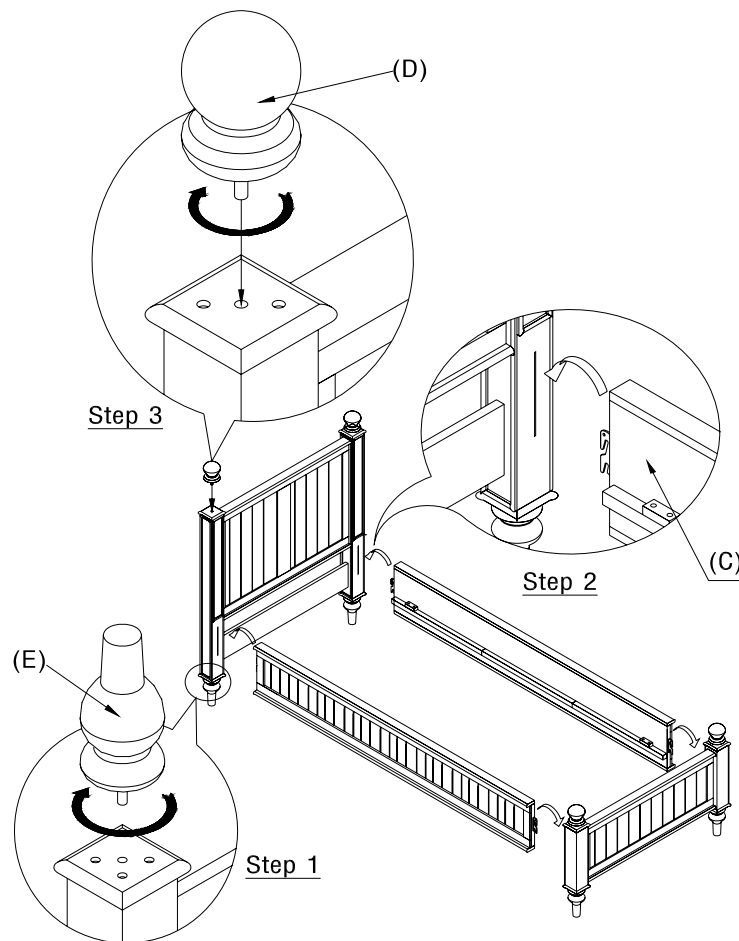
1. Attach the feet (E) to the bottom posts of the headboard and footboard as shown. Important: The bottom of the bedpost has 4 holes, while the top of the bedpost has 3 holes.

2. Attach the side rails (C) to the headboard and footboard by inserting the hooked ends into the corresponding slots.

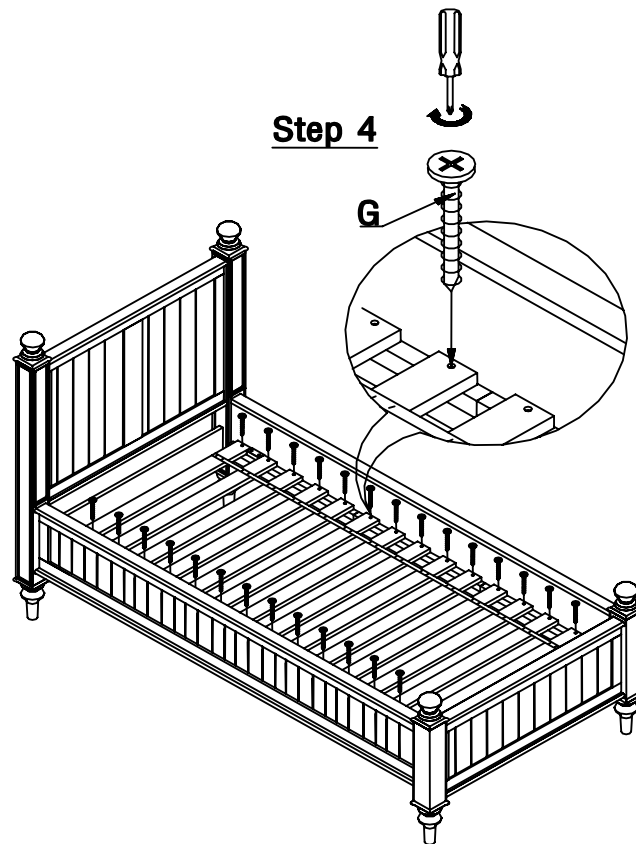
NOTE: Side rails (C) are adjustable to two heights.

- If you are using a **trundle**, or are assembling the bed for to be used with a **mattress only** (no box spring), please insert side rails into upper slots.
- If you are using a **mattress and box spring**, please insert side rails into lower slots.

3. Screw Finials (D) into the post of headboard and footboard.



4. Lay slat roll in place onto the inner ledges of the siderails (C). Attach slats by inserting the Phillips screws (J) through the pre-drilled end holes and tightening with Phillips screwdriver (not included).
5. Periodically tighten screws.



CARE INSTRUCTIONS:

- Dust often using a clean, soft, dry lint-free cloth.
- Blot spills immediately, and wipe with a clean, damp, cloth.
- We do not recommend the use of chemical cleansers, abrasives, or furniture polish on our lacquered finish.
- If the unit's is to be stored, store in cool dry place and carefully package all original hardware to protect from loss or damage.
- Check fasteners periodically for tightness. **DO NOT over tighten.** This may cause distortion or breakage

Thank you for your purchase.
stores | catalog | www.potterybarnkids.com
USA 1.800.290.8181