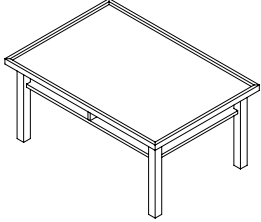


# pottery barn kids

## TALL ACTIVITY TABLE

### IMPORTANT SAFETY INSTRUCTIONS:





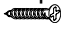
Please read all instructions carefully before assembling.  
For your safety, assembly by two adults is recommended.



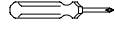
#### PARTS INCLUDED:

- (A) Tabletop – 1pc
- (B) Shelf Divider – 1pc
- (C) Shelf Panel – 1pc
- (D) Leg – 4pcs

#### HARDWARE ENCLOSED:

- (E) Wrench  – 1pc
- (F) Nut 5/16" x 12mm  – 1pc
- (G) Spring Washer 5/16"  – 1pc
- (H) Flat Washer 5/16"  – 1pc
- (I) Wood Screw 4x30mm  – 6pcs

#### TOOLS REQUIRED:

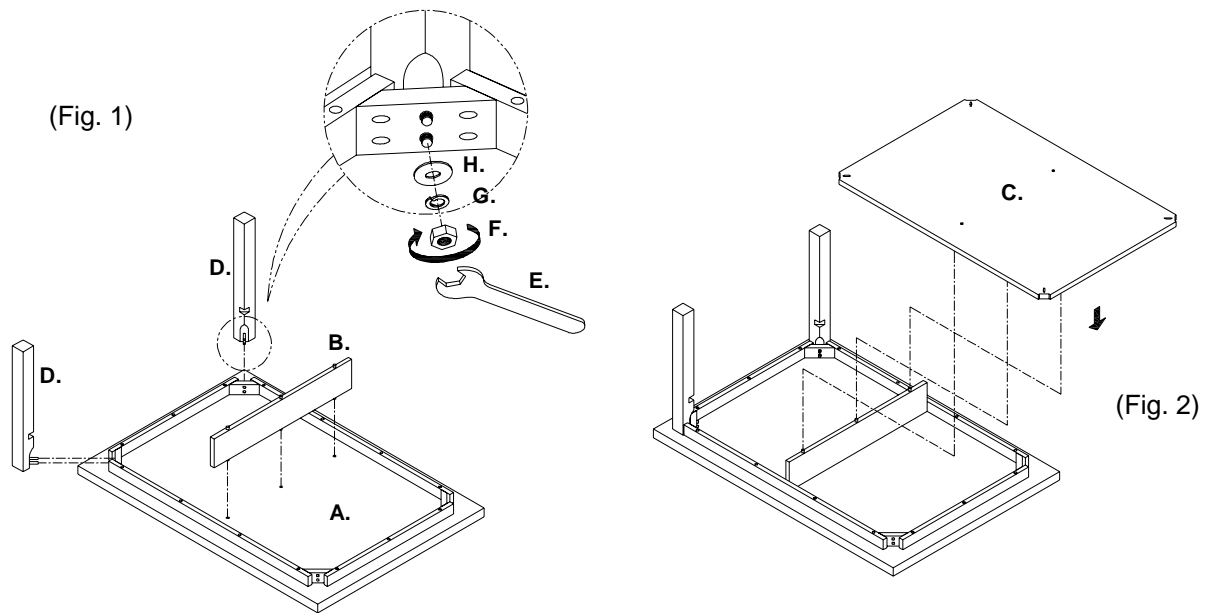
Phillips Screwdriver   
(not included)

### PRE-ASSEMBLY:

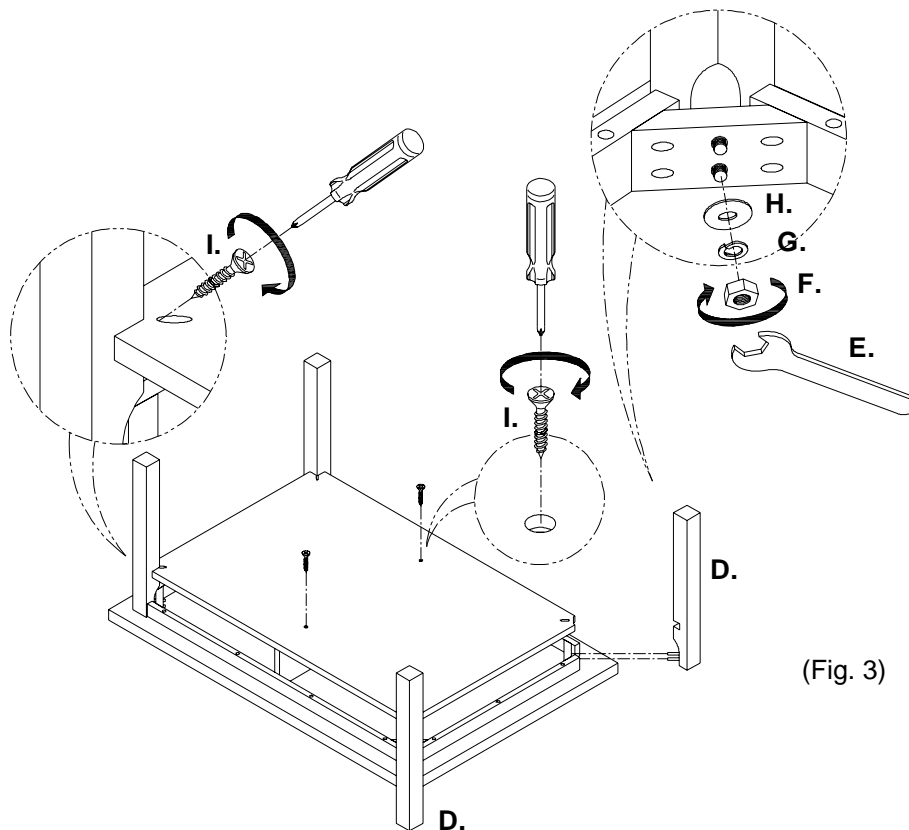
- Remove all parts and hardware from the box and lay out on a clean, carpeted, or scratch-free work surface, as this will avoid damaging any parts during assembly. The shipping box provides an ideal work surface. Do not dispose of any contents until assembly is completed to avoid accidentally discarding small parts or hardware.
- Use the parts and hardware lists above to identify and separate each of the pieces included.
- The illustrations provided allow for easier assembly when used in conjunction with the assembly instructions.
- Note: Do not fully tighten all bolts until all parts are in place. Failure to follow these instructions may cause the bolts to misalign during assembly.
- If using power tools to aid in assembly please use caution. Power tools can damage hardware or split wood.

### ASSEMBLY INSTRUCTIONS:

1. Place the Tabletop (A) upside down on the work surface. Align the Shelf Divider (B) with the pre-drilled holes of the Tabletop.
2. Attach (2) Legs (D) to one side of the table, placing a Flat Washer (H), a Spring Washer (G) and a Nut (F) over the threaded bolt of the Leg. Completely fasten this connection with the Wrench (E). (Fig. 1)
3. Place the Shelf Panel (C) on the assembled piece. Align the Shelf Panel to the dowels on the Shelf Divider (B) and to the cut-out on the assembled Legs (D). (Fig. 2)



4. Attach the remaining (2) Legs (D) to the Table Top (A), placing a Flat Washer (H), a Spring Washer (G) and a Nut (F) over the threaded bolt of the Leg, completely fastening each connection with the Wrench (E).
5. Secure the Shelf Panel (C) to the Shelf Divider (B) by (2) Wood Screws (I) and to the Legs (D) by inserting the (4) Wood Screws (I) with a Phillips head screwdriver (not included). (Fig. 3)
6. Gripping the edge of the tabletop firmly from both sides, carefully turn the table in upright.



CARE INSTRUCTIONS:

- Dust often using a clean, soft, dry lint-free cloth.
- Blot spills immediately, and wipe with a clean, damp, cloth.
- We do not recommend the use of chemical cleansers, abrasives, or furniture polish on our lacquered finish.
- Do not sit or stand on the tabletop.

Thank you for your purchase.

stores | catalog | [www.potterybarnkids.com](http://www.potterybarnkids.com)  
USA 1.800.290.8181