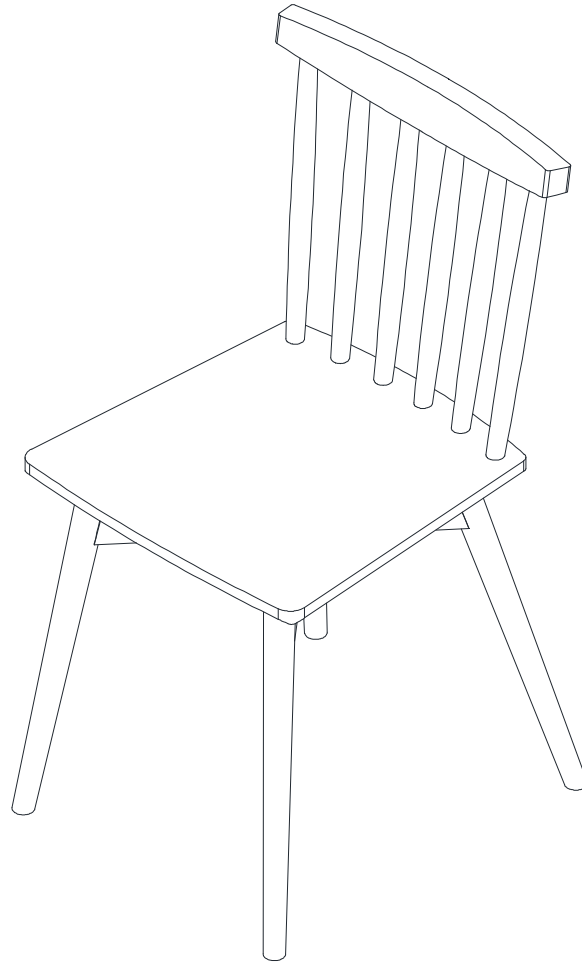


pottery barn kids



SPINDLE PLAY CHAIR

www.potterybarnkids.com

Important Safety Instructions:

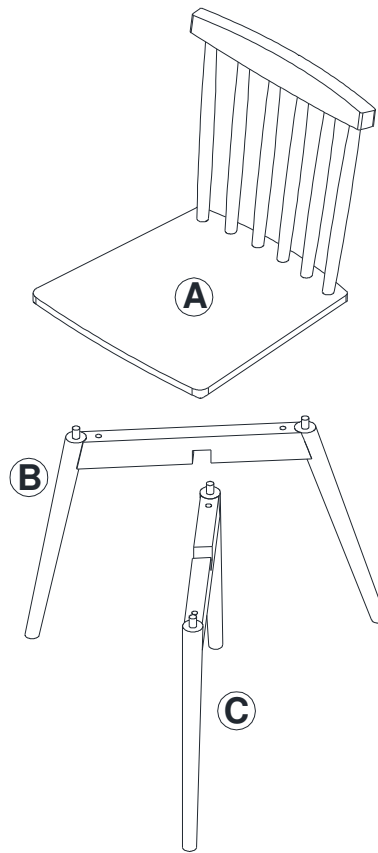
- Please read all instructions carefully before assembling this chair.
- For your safety, assembly by two or more adults is strongly recommended.
- Keep these instructions for future use.
- Use only vendor-supplied hardware to assemble this item. Using unauthorized hardware could jeopardize the structural integrity of the item.

Pre-assembly:


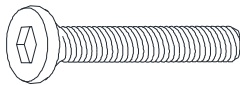

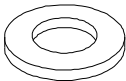
- Remove all parts and hardware from the box. Place all items on a carpeted or scratch-free work surface, as this will avoid damaging parts during assembly. The shipping box provides an ideal work surface.
- To avoid accidentally discarding small parts or hardware, do not dispose of any packaging or contents of the shipping carton until assembly is complete.
- Use the parts and hardware lists below to identify and separate each of the pieces included.
- The illustrations provided allow for easier assembly when used in conjunction with the assembly instructions.
- The use of power tools to aid in assembly is not recommended. Power tools can damage the hardware and split the wood.

Parts Included:

- (A) Chair Seat and Backrest (1x)
- (B) Upper Leg Frame (1x)
- (C) Lower Leg Frame (1x)

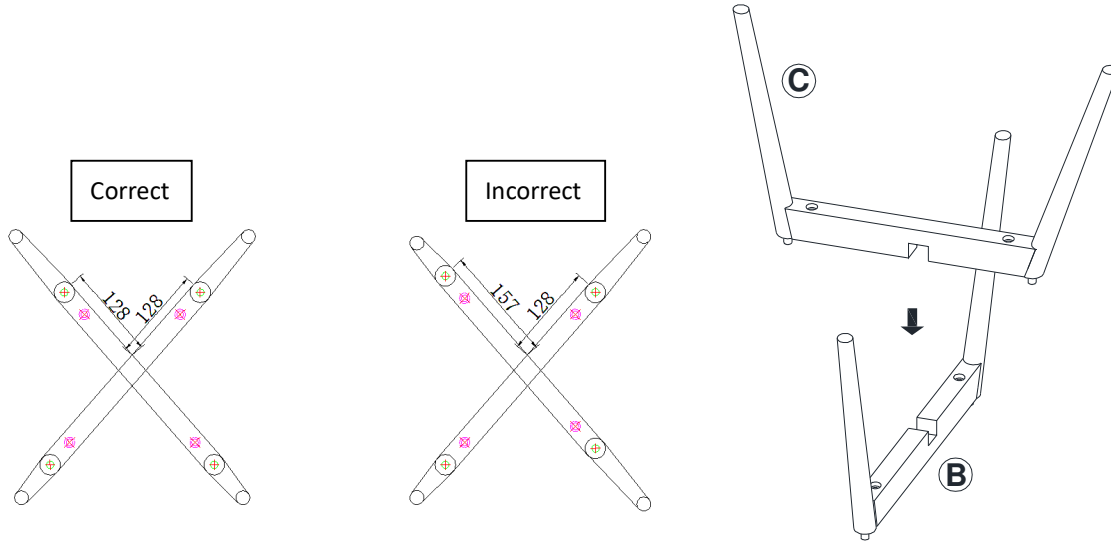


Hardware Included:

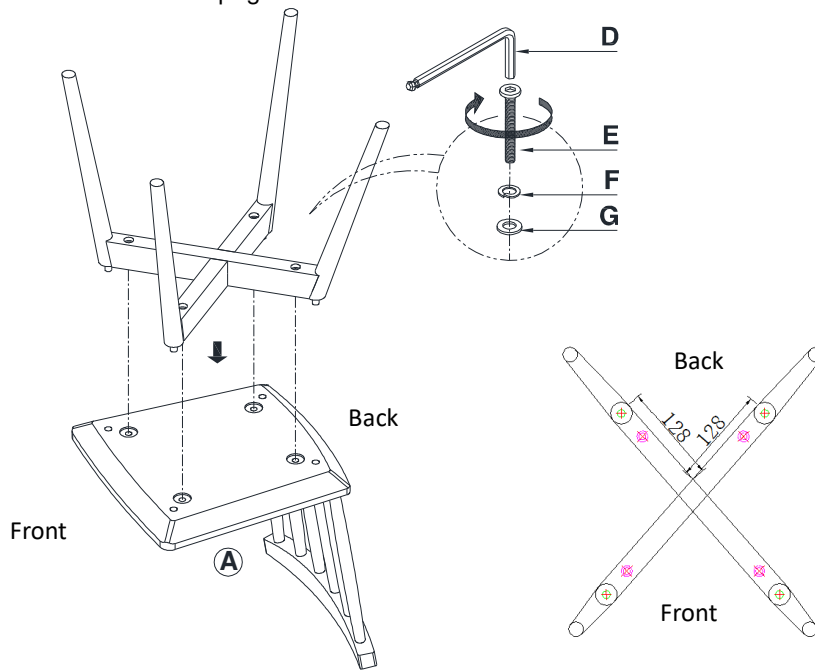
 (D) Allen Key – 1x	 (E) Bolt (1/4"x60mm) – 4x
 (F) Spring Washer (1/4") – 4x	 (G) Flat Washer (1/4") – 4x

Assembly Instruction Steps:

1. Attach the Lower Leg Frame (C) to the Upper Leg Frame (B), by aligning the notches on the middle of the frames to each other, as seen in the illustration below.



2. Place the Chair Seat and Backrest (A) upside down on a clean smooth surface.
3. Align the wooden dowels found on the top of the legs, with the pre-drilled holes on the bottom of the Chair Seat and Backrest (A), as seen below.
4. Insert 4 sets of: Bolt (E), Spring Washer (F), and Flat Washer (G), as shown below.
5. Tighten with Allen Key (D).
6. Stand the chair upright for use.



E		4x
F		4x
G		4x

Care Instructions:

- Dust often using a clean, soft, dry, and lint-free cloth.
- Blot spills immediately and wipe with a clean, damp cloth.
- We do not recommend the use of chemical cleansers, abrasives, or furniture polish on our lacquered finish.
- Hardware may loosen over time. Periodically check to make sure all connections are tight. Re-tighten if necessary.

Thank you for your purchase
 Stores | catalog | www.potterybarnkids.com
 USA 1.800.290.8181