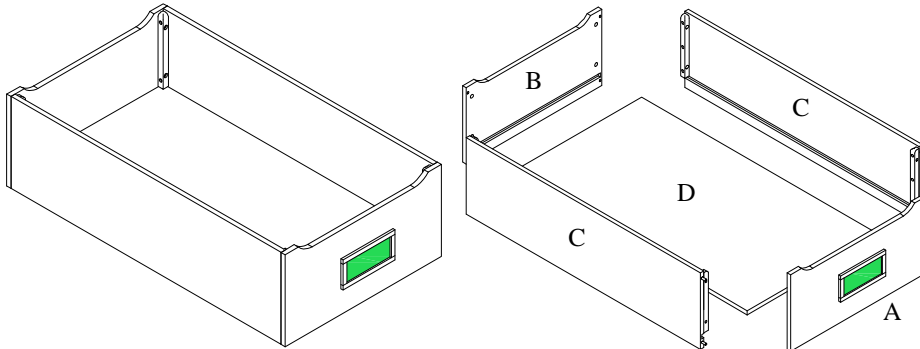


# pottery barn kids

## Carolina Activity Cart S/2

**PRE-ASSEMBLY:**


- Please read all instructions before beginning assembly.
- For your safety and ease, assembly by two adults is recommended.
- Remove all parts and hardware from box and lay out on a carpeted or scratch-free work surface, as this will avoid damaging any parts during assembly. The shipping box provides an ideal work surface.
- Do not dispose of any contents until assembly is completed to avoid accidentally discarding small parts or hardware.
- Use the parts and hardware lists to identify and separate each of the pieces included.
- Note: Do not fully tighten all bolts until all parts are in place. Failure to follow these instructions may cause the bolts to misalign during assembly.
- The use of power tools for assembly is not recommended. Power tools can damage hardware or split wood.




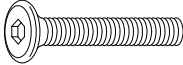



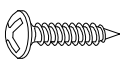
**PARTS INCLUDED:**

- (A) Chalk Panel – 2x
- (B) Short Side Panel – 2x
- (C) Long Side Panel – 4x
- (D) Bottom Panel – 2x

**TOOLS REQUIRED:**

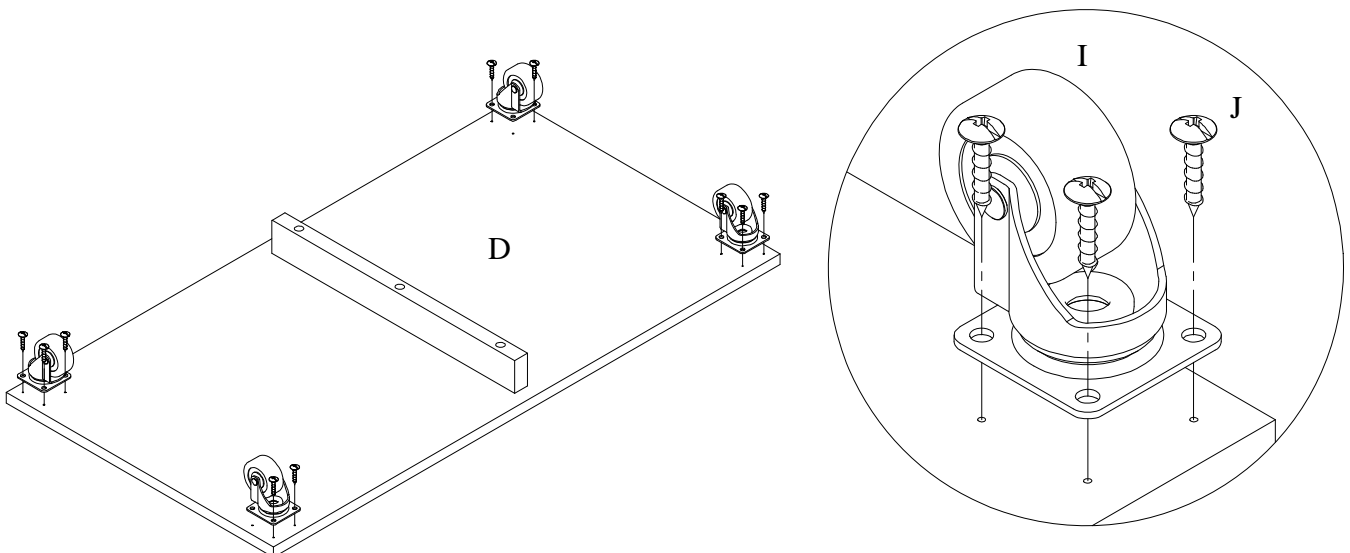
- Philips Head Screw  
Driver   
(not included)

**HARDWARE INCLUDED:**

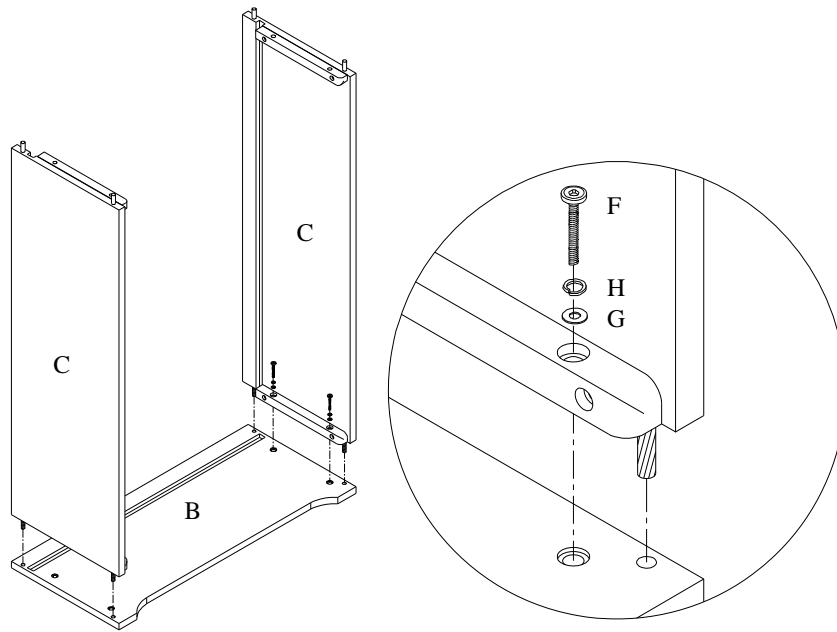
 (E) Allen Key – 1pc	 (F) Bolt 1/4" x 28mm – 16pcs	 (G) Flat Washer – 16pcs
 (H) Spring Washer – 16pcs	 (I) Caster – 8pcs	 (J) Wood Screw – 32pcs

**ASSEMBLY INSTRUCTIONS:**

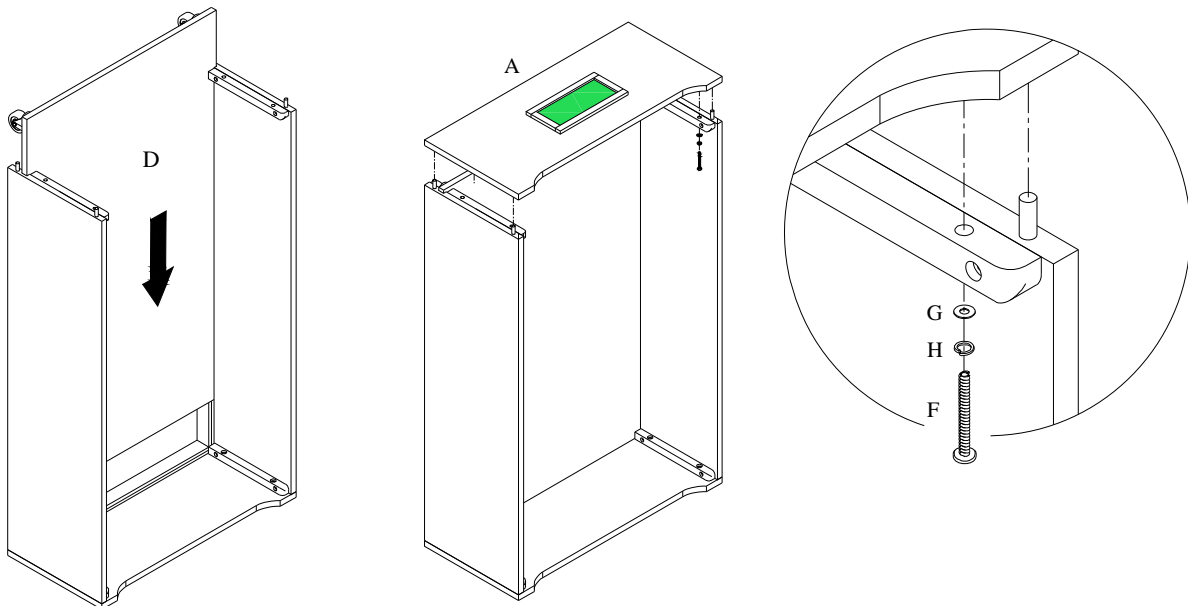
1. Place Bottom Panel (D) upside down on a soft, scratch free surface. Attach (4) Caster (I) to pre-drilled holes near corners of the Bottom Panel (D) and secure each caster with (4) Wood Screws using Philips Head Screw Driver.



- Slide a Flat Washer (G) and a Spring Washer (H) onto each Bolt (F). Attach a Long Side Panel (C) to Short Side Panel (B) by aligning wooden dowels to pre-drilled holes located on the Short Side Panel (B) and insert (2) Bolts with washers to secure the Long Side Panel to the Short Side Panel. Repeat with another Long Side Panel (C). Note: make sure the slots on the panels face each other.



- Slide Bottom Panel (D) into slots of the assembled piece and press firmly to ensure the bottom panel sits well in slots. Place Chalk Panel (A) onto the assembly piece. Insert (4) Bolts with washers from wooden cleats on the Long Side Panels to insert nuts located on Chalk Panel (A) and secure with the Allen Key.



- Repeat the steps to assemble the other cart.

#### CARE INSTRUCTIONS:

- Dust often using a clean, soft, dry lint-free cloth.
- Blot spills immediately, and wipe with a clean, damp, cloth.
- We do not recommend the use of chemical cleansers, abrasives or furniture polish.

Thank you for your purchase.  
 stores | catalog | [www.potterybarnkids.com](http://www.potterybarnkids.com)  
 USA 1.800.290.8181