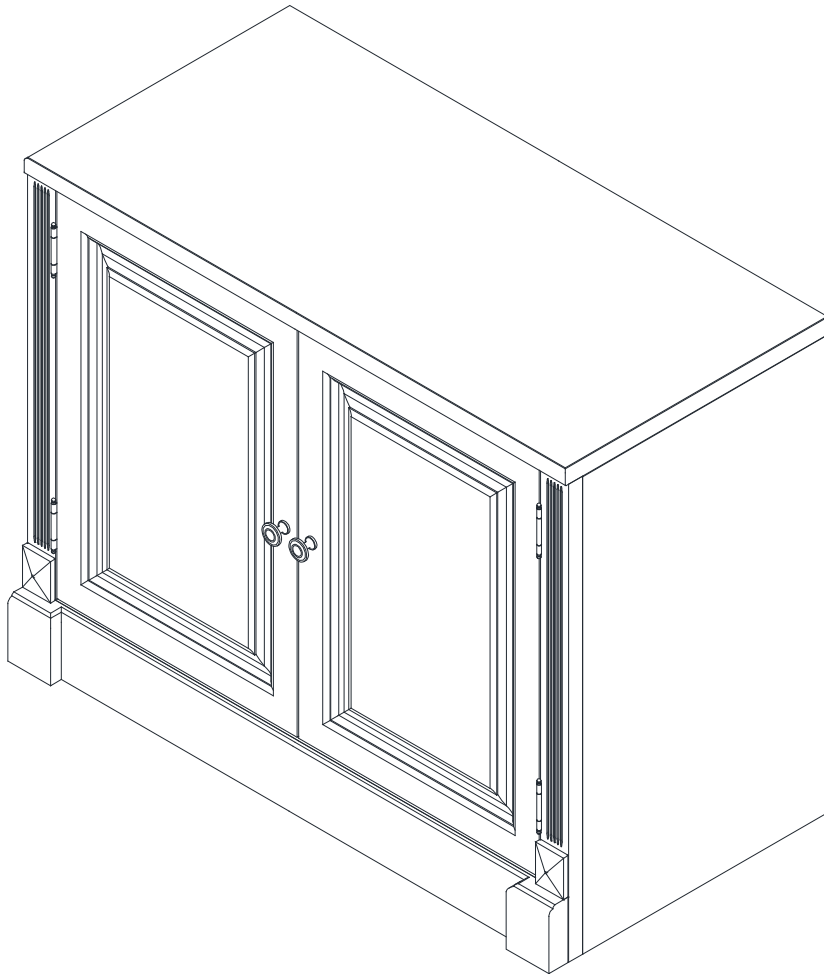


pottery barn kids



GRACE MEDIA BASE

www.potterybarnkids.com

Imported by / Importé par
Pottery Barn Kids
3250 Van Ness, San Francisco, CA 94109



WARNING

For use with televisions weighing **100 lbs/45.5 (Kg)** or less with a maximum width of **37-5/8 inches /95.6 (cm)** which represents the overall width or inside dimension of the unit the TV will be placed on.

Attention: this unit is not rated for use with a CRT type television.



WARNING

Death or serious injury may occur when children climb on audio and/or video equipment furniture. A remote control or toys placed on the furnishing may encourage a child to climb on the furnishing and as a result the furnishing may tip over on to the child.



WARNING

Relocating audio and/or video equipment to furniture not specifically designed to support audio and/or video equipment may result in death or serious injury due to the furnishing collapsing or over turning onto a child.

All other support shelves should not be loaded more than 25 lbs.

DO NOT EXCEED RECOMMENDED LOAD. Use with heavier televisions may result in instability causing tip over resulting in death or serious injury.

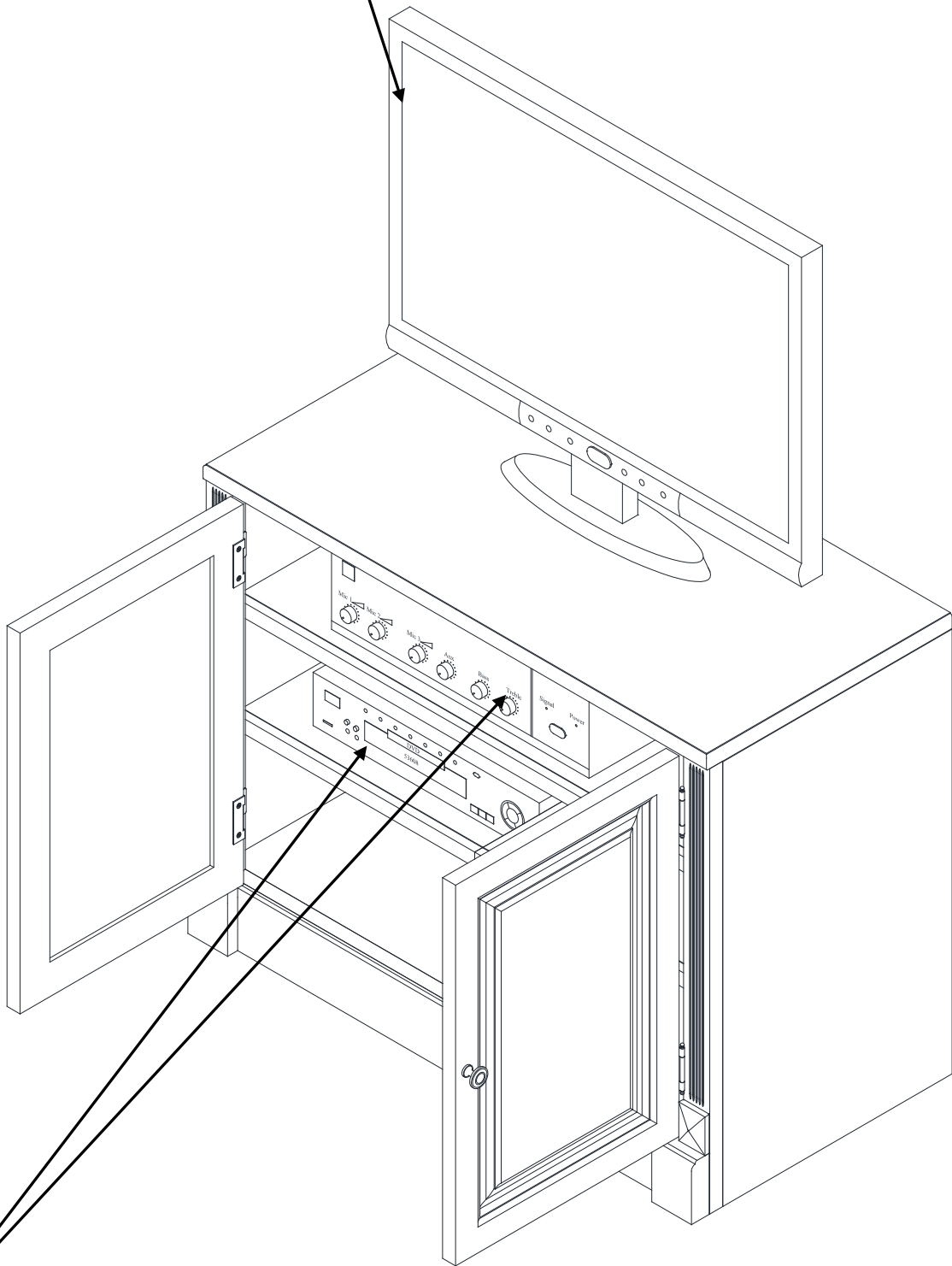
Please use caution when using electrical equipment. Improper use could result in the risk of fire, electric shock or injury to persons associated with the use of this unit during operation, user-maintenance, loading, storage, and, as applicable, electrical issues including grounding or double-insulation.

Electronic components generate heat that may cause damage to the equipment. Please refer to the manufacturer's owner's manual for space and ventilations requirements.

Do not allow children under 16 years to move cart.

04-000077-3

For use with televisions weighing **100 lbs / 45.5 (Kg)** or less with a maximum width of **37 5/8 inches / 95.6 (cm)**



Product weighing **25 pounds (11.3kg)** maximum per shelf.

Important Safety Instructions:

- Please read all instructions carefully before assembling.
- For your safety, assembly by two or more adults is strongly recommended.
- Keep instructions for future use.
- Use only vendor supplied hardware to assemble. Using unauthorized hardware could jeopardize the structural integrity of the item.

Pre-assembly:

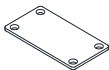

- Remove all parts and hardware from the box and lay out on a clear carpeted or scratch-free work surface, as this will avoid damaging parts during assembly. The shipping box provides an ideal work surface.
- Do not dispose of any packaging or contents of the shipping carton until assembly is completed to avoid accidentally discarding small parts or hardware.
- Use the parts and hardware lists below to identify and separate each of the pieces included.
- The illustrations provided allow for easier assembly when used in conjunction with the assembly instructions.
- The use of power tools to aid in assembly is not recommended. Power tools can damage hardware and split wood.

Tools Required (not included):

Philips Head Screwdriver

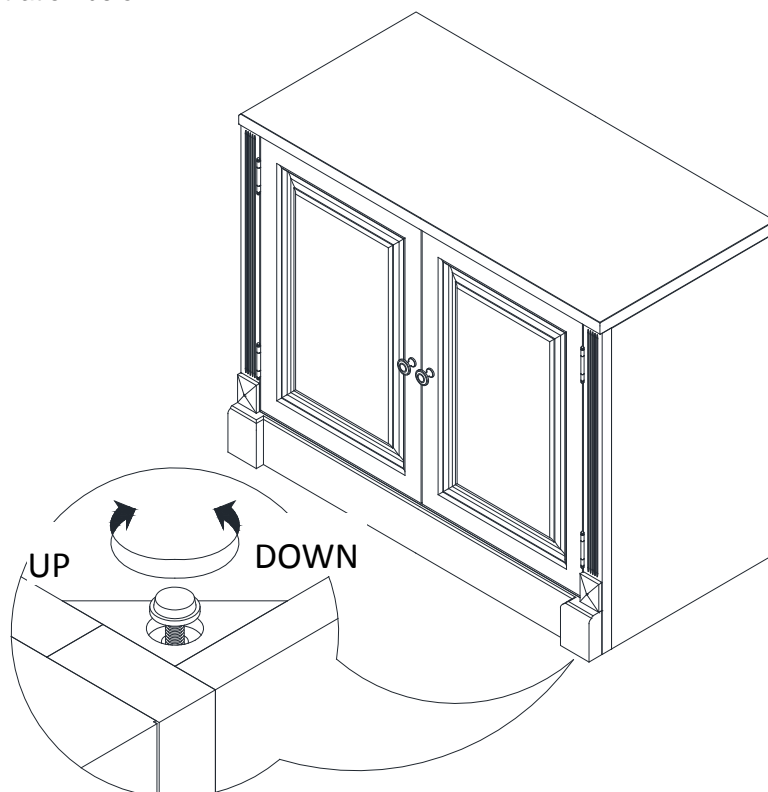


Hardware Included:

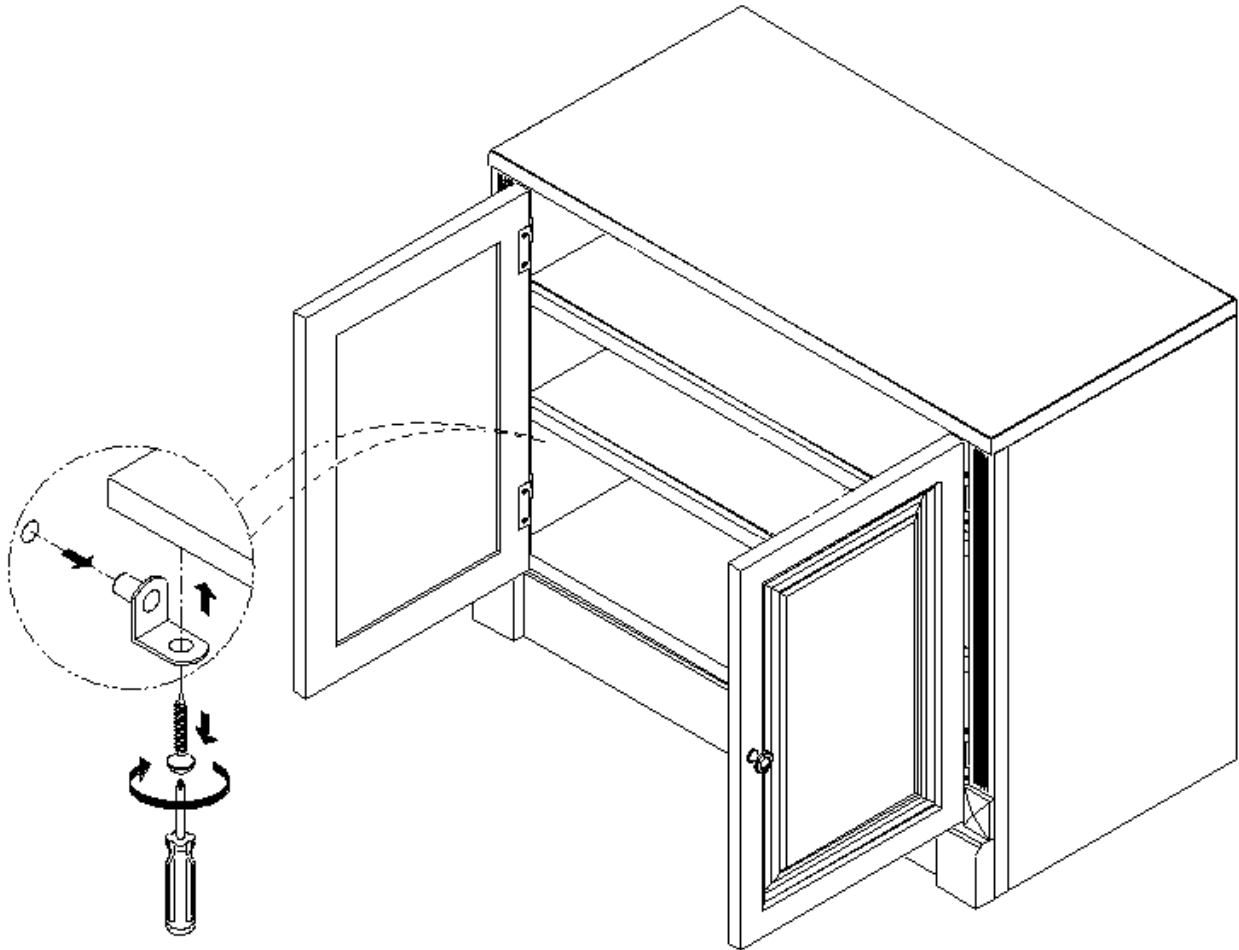
<p>(A) Metal plate 102x54x3mm – 1x</p> 	<p>(B) TH screw-Short M4xL12mm – 4x</p> 
--	---

Assembly Instruction Steps:

1. Carefully place the Media Base into the upright position, as seen in the illustration below
2. If the Media Base does not sit level, adjust the levelers (up or down) at the bottom of Base to level the Media Base, as seen in the illustration below.





3. Whenever there is a need to change the height of the adjustable shelf, please follow these steps below:
 - A. Unscrew the Wood Screws found under the shelf bottoms and remove shelves from support pegs and remove shelves from shelf support pegs.
 - B. Remove the shelf support pegs and insert them into the corresponding holes of the new desired position.
 - C. Place the shelf onto the shelf support peg and make sure each shelf is stable.
 - D. Insert the original wood screws through the holes of the shelf support pegs and into the pre-drilled holes on the shelves.
 - E. Tighten the screws using a Philips head screwdriver (not provided). Do not over tighten.

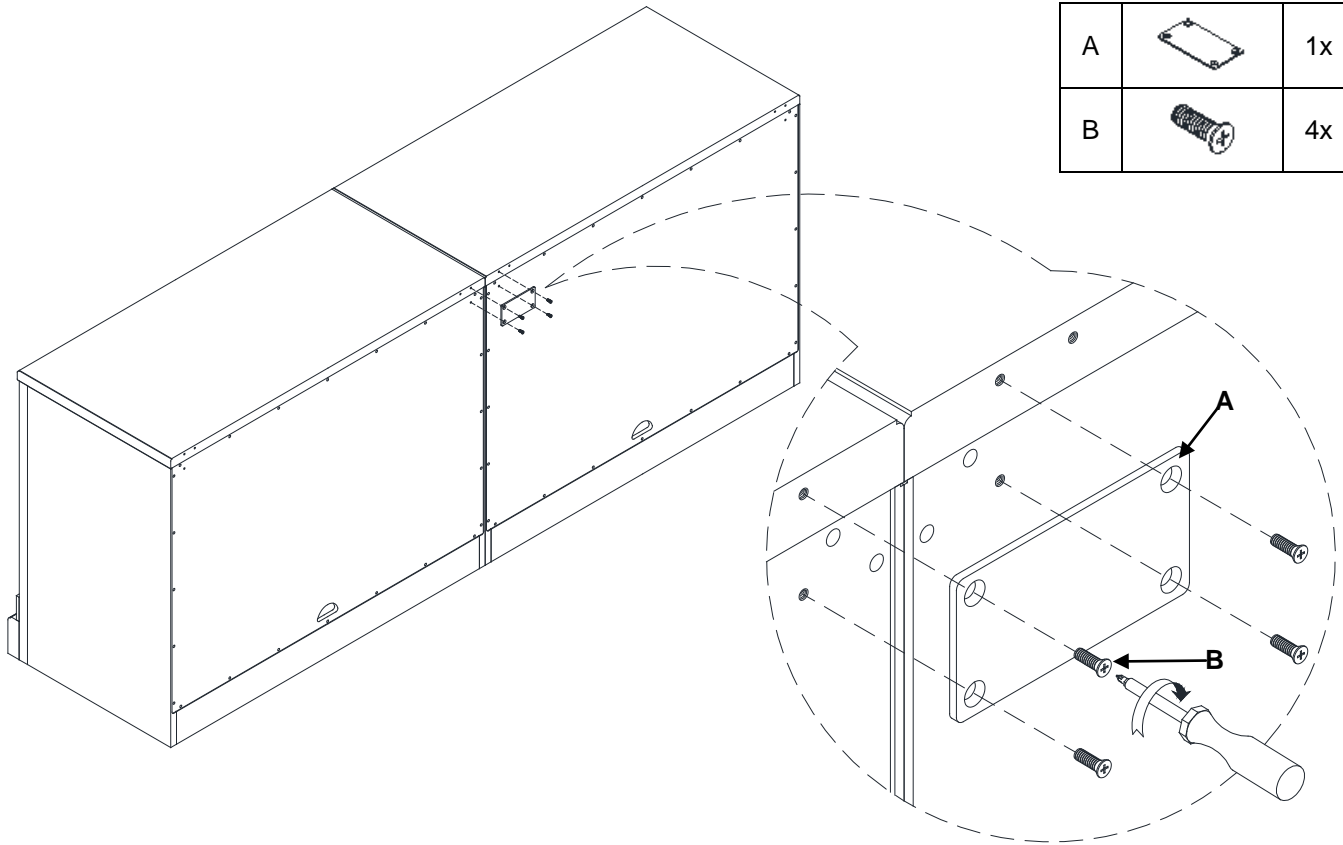


4. **NOTE: Installation of the Anti Tip Kit is REQUIRED.** Please follow the separate instructions to secure the Media Base to the wall- using the tipping-restraint kit included

Multiple Media Base can be combined together by following the assembly instructions below:

5. Place the Media Base in the desired location.
6. Align the Media Bases together.
7. Placing a Metal Plate (A) over metal insert holes on the rear side of Media Base as seen below.
8. Insert with 4 pieces of Screw (B) through each pre-drilled holes on Metal Plate, and into metal insert holes on Media Base.
9. Tighten all screws with a Phillip head screw driver (not included).

A		1x
B		4x



Care Instructions:

- Dust often using a clean, soft, dry and lint-free cloth.
- Blot spills immediately and wipe with a clean, damp, cloth.
- We do not recommend the use of chemical cleansers, abrasives or furniture polish on our lacquered finish.
- Hardware may loosen over time. Periodically check to make sure all connections are tight. Re-tighten if necessary.

Thank you for your purchase
 Stores | catalog | www.potterybarnkids.com
 USA 1.800.290.8181