

pottery barn kids

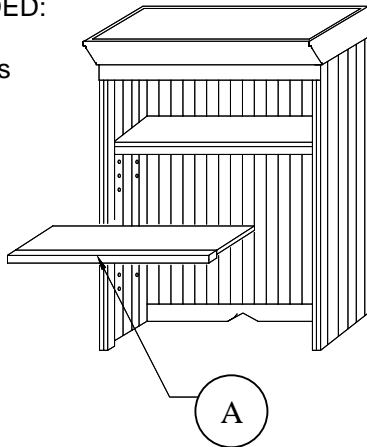
thomas center cabinet hutch

PRE-ASSEMBLY:

- Please read all instructions carefully before beginning assembly.
- For your safety, assembly by two people is recommended.
- Save all packing materials until assembly is complete to avoid accidentally discarding smaller parts or hardware.

PARTS INCLUDED:

(A) Shelf – 2 pcs



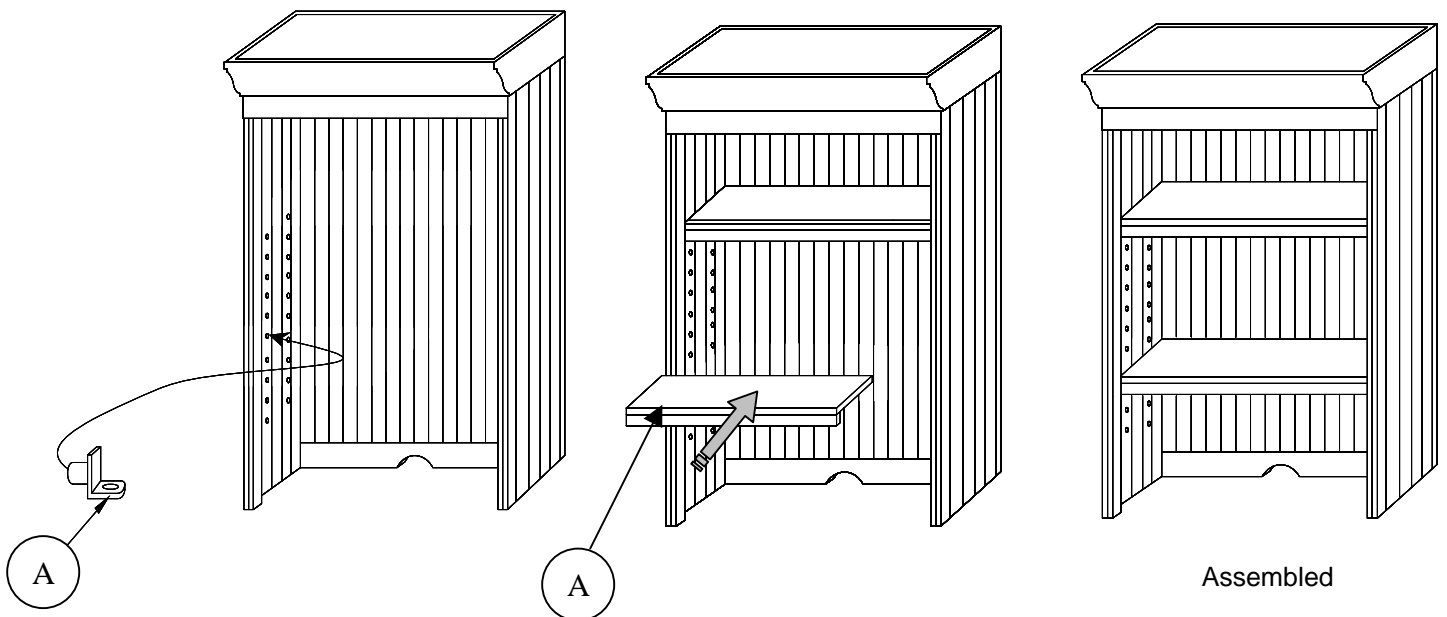
HARDWARE ENCLOSED:

(B) Shelf Pin – 8pcs

Figure 1

Figure 2

Figure 3



ASSEMBLY INSTRUCTIONS :

1. Determine the desired height for the shelf (A). (Fig 1)
2. Insert the shelf supports (B) in the pre-drilled holes as shown. Carefully insert shelf into the hutch and rest it on the shelf supports. Be sure shelf is settled and steady prior to setting items upon it. (Fig 2)
3. Assembly is complete.(Fig 3)

CARE INSTRUCTIONS:

- Dust often using a clean, soft, dry lint-free cloth.
- Blot spills immediately, and wipe with a clean, damp, cloth.
- We do not recommend the use of chemical cleansers, abrasives, or furniture polish on our lacquered finish.

Thank you for your purchase
stores | catalog | www.potterybarnkids.com
USA 1.800.290.8181