

# pottery barn kids

## UPHOLSTERED TASK SQUARE CHAIR

### ASSEMBLY INSTRUCTIONS



**Important Safety Instructions:**

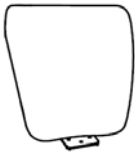

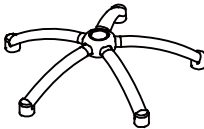

- Please read all instructions carefully before assembling.
- For your safety, assembly by two or more adults is strongly recommended.
- Keep instructions for future use.
- Use only vendor supplied hardware to assemble. Using unauthorized hardware could jeopardize the structural integrity of the item.

**Pre-assembly:**

- Remove all parts and hardware from the box and lay out on a clear carpeted or scratch-free work surface, as this will avoid damaging parts during assembly. The shipping box provides an ideal work surface.
- Do not dispose of any packaging or contents of the shipping carton until assembly is completed to avoid accidentally discarding small parts or hardware.
- Use the parts and hardware lists below to identify and separate each of the pieces included.
- The illustrations provided allow for easier assembly when used in conjunction with the assembly instructions.
- The use of power tools to aid in assembly is not recommended. Power tools can damage hardware and split wood.



**Parts Included:**

(A) Back (B) Seat (C) Chair Base (D) Gas Lift Post

A	B	C	D
			
1 x	1 x	1 x	1 x

**Hardware Included:**

(E) Bolt (F) Ball Caster (G) Support Cap

E	F
 Dia. 8 x 25mm	
3 x	5 x

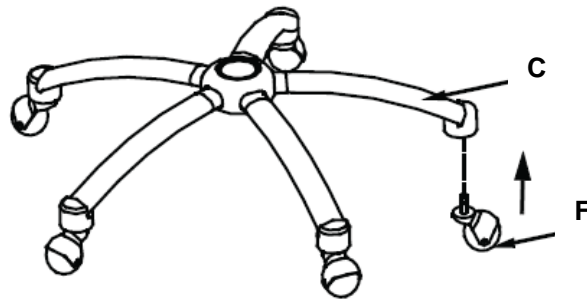
**Tools Required (not included):**



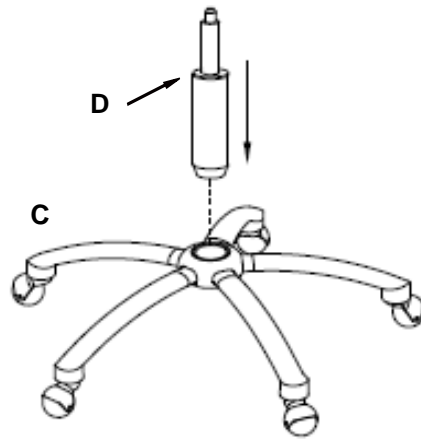
Philips Head Screwdriver

**Assembly Instruction Steps:**

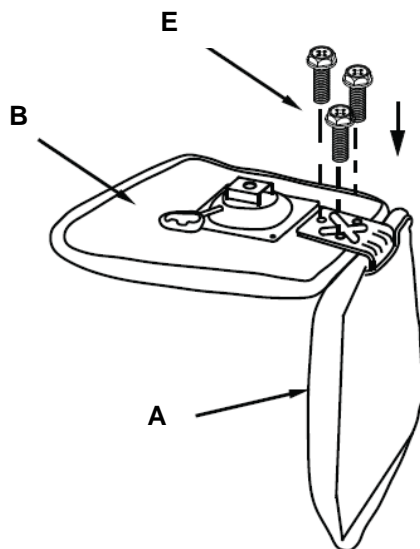
1. Insert Ball Casters (F) to Chair Base (C) by pressing firmly until ball casters or support caps locked.



2. Insert Gas Lift Post (D) into Chair Base (C) by pressing firmly.

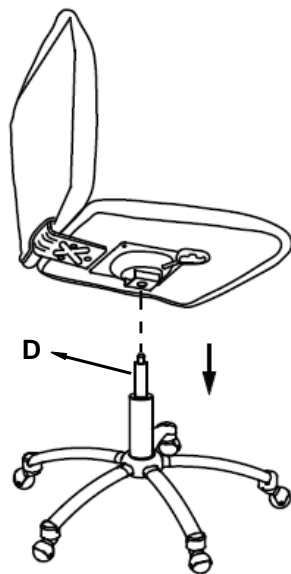


3. Attach Back (A) to Seat (B) using Bolts (E) with Philips Head Screwdriver (not included).



**NOTE:** when performing assembly of the back to the seat, please push the bracket on the back in order to have the holes on the bracket align with the holes on the seat.

4. Insert assembled seat onto top of Gas Lift Post (D) by pressing firmly.



5. Assembly is complete!



**Care Instructions:**

- Hardware may loosen over time. Periodically check to make sure all connections are tight. Re-tighten if necessary.
- Dust often using a clean, soft, dry and lint-free cloth.
- To clean, slightly moisten cloth with water. (A damp cloth holds dust and prevents scratching; dry thoroughly).
- We do not recommend the use of chemical cleaners, abrasives, or furniture polish on the product.

Thank you for your purchase  
Stores | catalog | [www.potterybarnkids.com](http://www.potterybarnkids.com)  
USA 1.800.290.8181