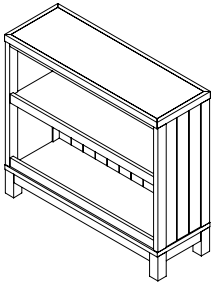


pottery barn kids

SCHOOLHOUSE 2 SHELF BOOKCASE

IMPORTANT SAFETY INSTRUCTIONS:







Please read all instructions carefully before assembling.
For your safety, assembly by two people is recommended.



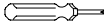
PARTS INCLUDED:

- (A) Left Side Panel – 1pc
- (B) Right Side Panel – 1pc
- (C) Lower Stretcher – 1pc
- (D) Center Shelf – 1pc
- (E) Base – 1pc
- (F) Back Panel – 1pc
- (G) Top Panel – 1pc

HARDWARE LIST

- (H) Allen Key  - 1pc
- (I) Long Bolt 1/4" x 50mm  - 4pcs
- (J) Short Bolt 1/4" x 30mm  - 4pcs
- (K) Spring Washer 1/4"  - 8pcs
- (L) Flat Washer 1/4"  - 8pcs
- (M) Wood Screw 3.5 x 20mm  - 3pcs

TOOLS REQUIRED:

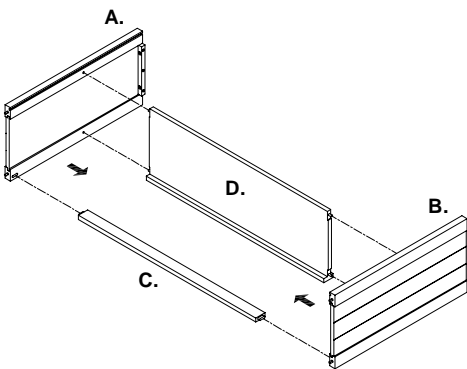
Phillips Screwdriver  (Not included)

PRE-ASSEMBLY:

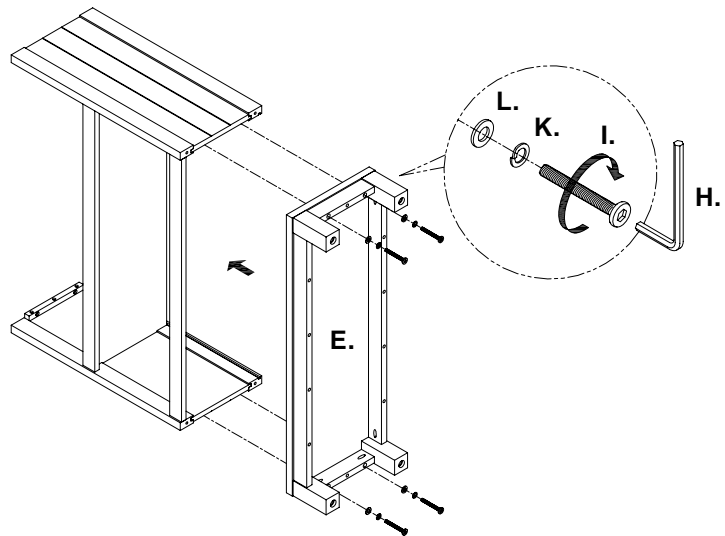
- Remove all parts and hardware from the box and lay out on a clean, carpeted, or scratch-free work surface, as this will avoid damaging any parts during assembly. The shipping box provides an ideal work surface. Do not dispose of any contents until assembly is completed to avoid accidentally discarding small parts or hardware.
- Use the parts and hardware lists above to identify and separate each of the pieces included.
- The illustrations provided allow for easier assembly when used in conjunction with the assembly instructions.
- Note: Do not fully tighten all bolts until all parts are in place. Failure to follow these instructions may cause the bolts to misalign during assembly.
- If using power tools to aid in assembly please use caution. Power tools can damage hardware or split wood.

ASSEMBLY INSTRUCTIONS:

1. Align and connect pre-drilled holes on the Left/Right Side Panel (A & B) to wooden dowels on the Center Shelf (D) and Lower Stretcher (C). Make sure the slots on each panel are facing each other. (Fig. 1)
2. Align and connect the pre-drilled holes on the Base (E) to the wooden dowels on the assembled piece. Insert (4) Long Bolt (I), Spring Washer (K) and Flat Washer (L) from bottom of the Base (E) to the pre-drilled holes on bottom of the side panel. (Fig. 2)

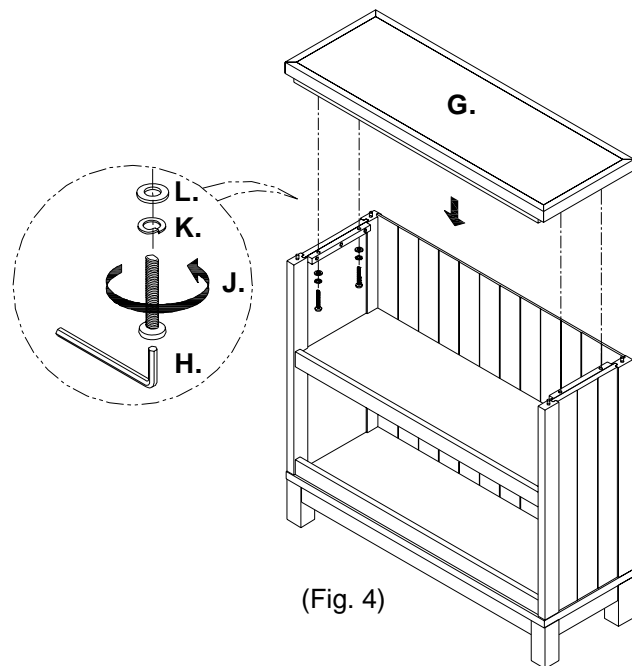
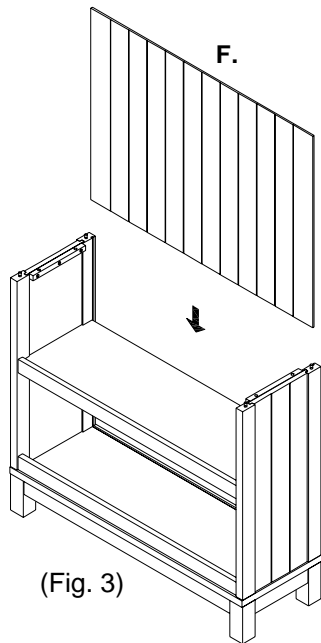


(Fig. 1)

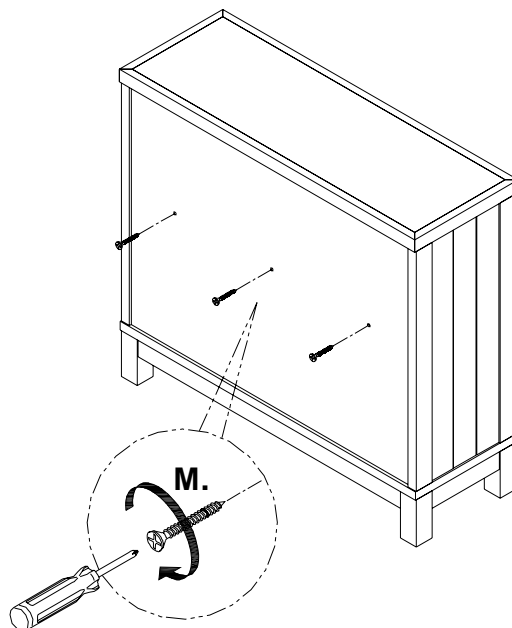


(Fig. 2)

3. Upright the assembled piece. Slide the Back Panel (F) into slots on the Left/Right Side Panel. (Fig. 3)
4. Place the Top Panel (G) on the assembled piece. Insert (4) Short Bolt (J), Spring Washer (K) and Flat Washer (L) from re-drilled holes on the Left/Right Side Panel (A & B) to the holes on bottom of the Top Panel. (Fig. 4)



5. Insert (3) Wood Screw (M) from the pre-drilled holes on the Back Panel (F) to the Center Shelf (D) to secure the Back Panel (F). (Fig. 5)



6. Check alignment and tighten all bolts and screws.

CARE INSTRUCTIONS:

- Dust with a clean, soft cloth.
- Bolt spills immediately, and wipe with a clean, damp, cloth.
- We do not recommend the use of chemical cleansers, abrasives, or furniture polish on our lacquered finish.

Thank you for your purchase
 stores | catalog | www.potterybarnkids.com
 USA 1.800.290.8181

pottery barn kids

TIP RESTRAINT KIT

WARNING: This product is only a deterrent. It is not a substitute for proper adult supervision.

Young children may be injured by tipping furniture and the use of a tipping restraint is highly recommended. When properly installed, this restraint could provide protection against the unexpected tipping of furniture. We recommend mounting this restraint to a wall stud.


All Parts and Hardware are included with the Cameron Wall Cubby.


PARTS INCLUDED

(N) Plastic Restraint  - 1pc

(O) Plastic Wall Brackets  - 2pcs

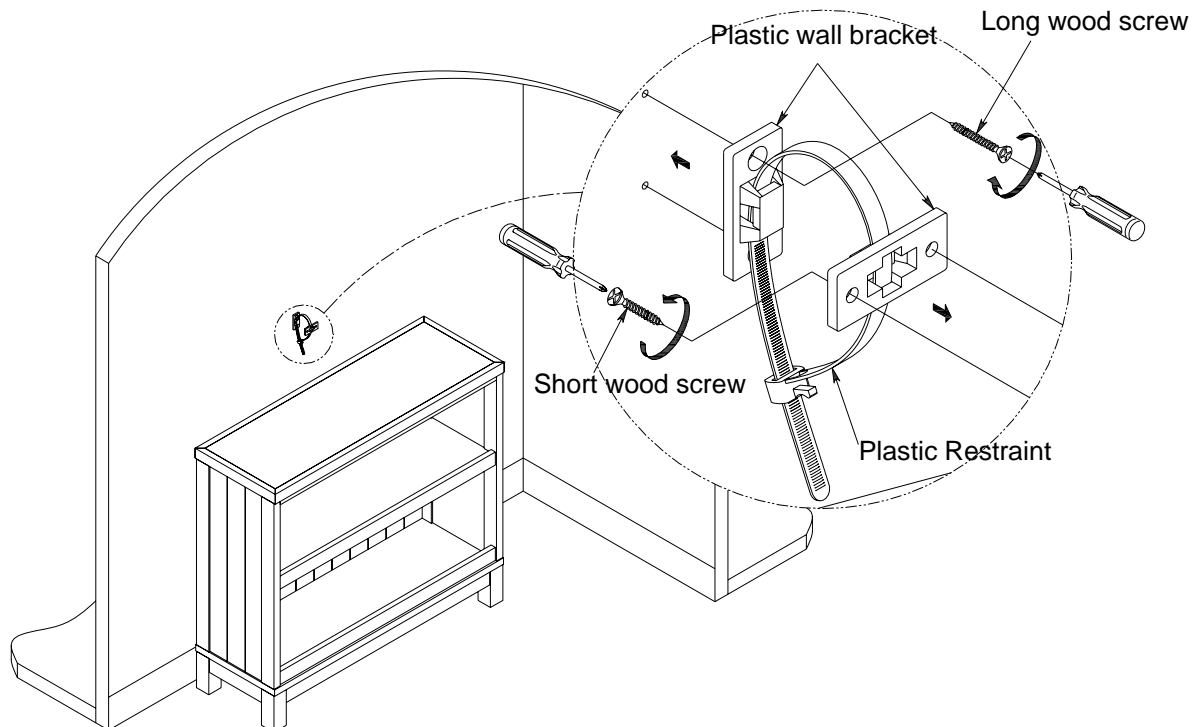
HARDWARE NEEDED

(P) Long Screws 3x32mm  - 2pcs

(Q) Short Screws 3x19mm  - 2pcs

Note: For safe mounting it is essential to use the proper hardware for your wall type. The included hardware is for drywall or stud mounting only. For other wall types (ie: plaster, concrete, brick...) please consult your local hardware store.

1. Locate a wall stud behind your furniture. Position a bracket on the stud approximately 1" below the top of the furniture. Mark and drill pilot hole into the center of the stud with a 3/32" drill bit. Attach a bracket to the stud with the long screws provided.
2. On the back of the furniture, a bracket will need to be attached to the furniture frame at the top. To do this, temporarily move the furniture into its final position and mark the location of the wall bracket on the furniture frame. Move the furniture away from the wall and place a bracket on the mark. Mark and drill holes for screws with 3/32" drill bit. Attach the bracket to the furniture with the short screws provided.
3. Move the furniture into this final position, taking care to line up the wall bracket with the furniture bracket. Thread a strap through the bracket as shown in the illustration. Tighten strap until snug. Do not over tighten.



Thank you for your purchase.

stores | catalog | www.potterybarnkids.com
USA 1.800.290.8181