

pottery barn kids

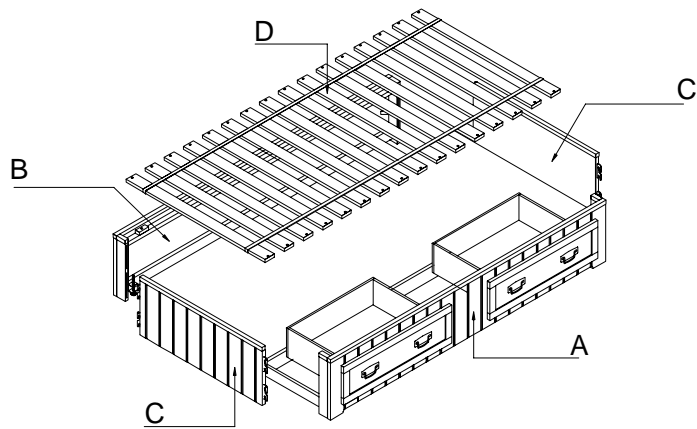
BELDEN 2-DRAWER BED

PRE-ASSEMBLY:

- Read all instructions before beginning assembly. The illustrations provided allow for easier assembly when used in conjunction with the assembly instructions.
- For your safety and ease, assembly by two adults is recommended.
- Remove all parts and hardware from the box and lay out on a clean, carpeted, or scratch-free work surface. Use care as some parts or hardware may have sharp points or edges.
- Do not dispose of any contents until assembly is completed to avoid accidentally discarding small parts or hardware.
- Use the parts and hardware lists to identify and separate each of the pieces included.
- Note: Do not fully tighten all bolts until all parts are in place. Failure to follow these instructions may cause the bolts to misalign during assembly.
- The use of power tools for assembly is not recommended. Power tools can damage hardware or split wood.

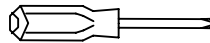
PARTS INCLUDED:

- (A) – Front Rail with 2 drawers - 1pc
- (B) – Back Rail -1 pc
- (C) – Side Rail - 2 pcs
- (D) – Slat Roll - 1 pc



TOOLS REQUIRED:

Phillips Head Screwdriver (not included)



HARDWARE INCLUDED:

(E)– Large Phillips Head Screw 8x25mm (34 pcs)



ASSEMBLY INTRUCTIONS:

1. Insert the Side Rail (C) into the hooks located on the end slots of the Front Rail with 2 drawers (A). Push firmly on the top of the Side Rails (C) until they seat themselves over the pins inside the legs slots as shown. (Fig 1)
2. Repeat Step 1 with the Back rail (B). (Fig. 1)

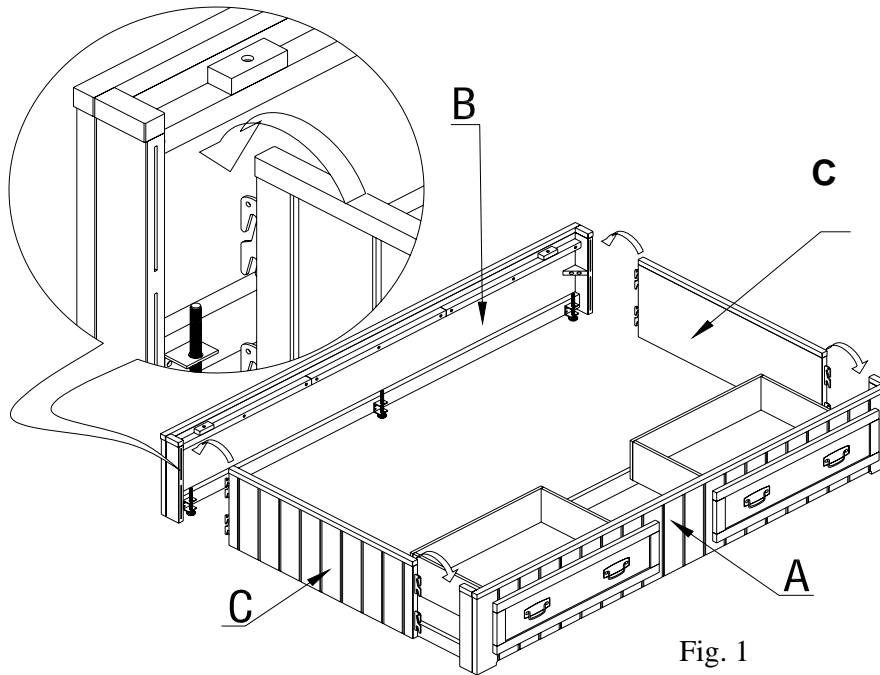


Fig. 1

3. Fix 2 Large Phillips head screws 8 x 25mm (E) to the wooden cleat of Side rail (C) as shown, tightening with a Phillips Head Screwdriver. (Fig.2)
4. Tighten the levelers as shown. (Fig.2)

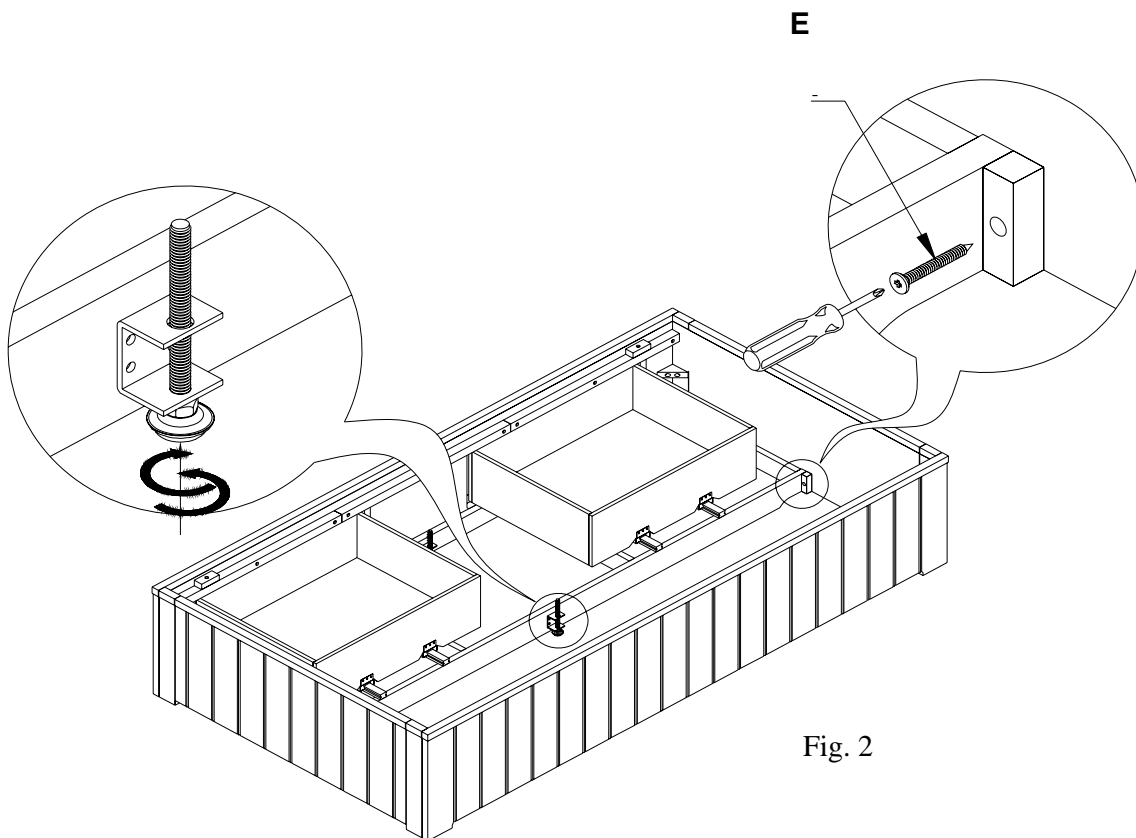
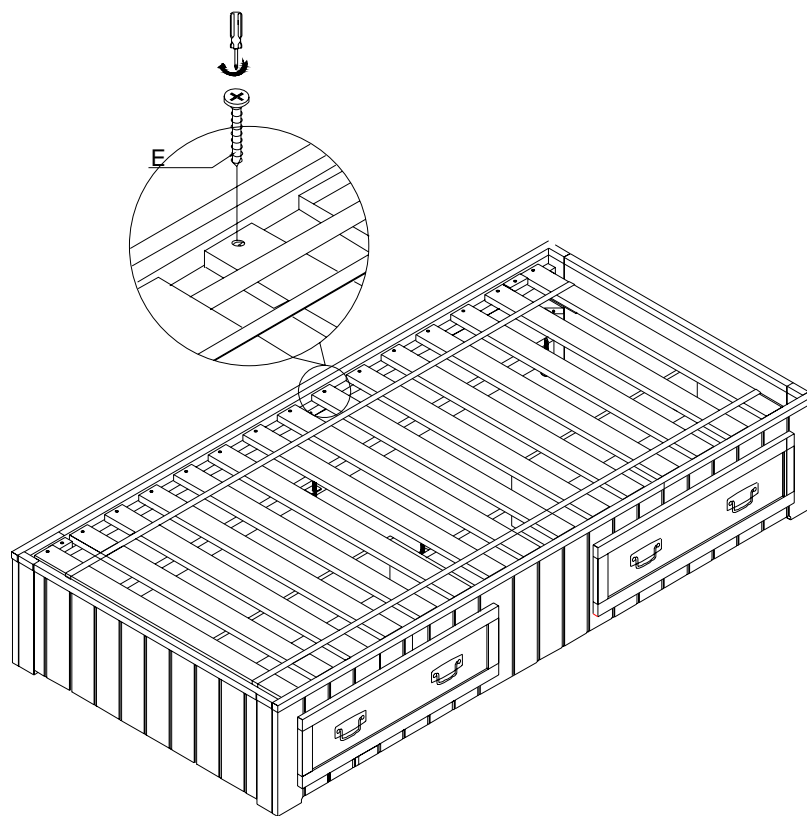


Fig. 2

5. Lay the Slat roll (D) in-between the Front rail (A) and the Back rail (B), and secure to the bed frame using 32 Large Phillips head screws 8 x 25mm (E). Loosely tighten with the Phillips Head Screwdriver. (Fig. 3)



6. Tighten all bolts and screws to make sure all are tight and bed structure is rigid. We recommend all screws be checked periodically for safety, as the hardware may loosen over time.

CARE INSTRUCTIONS:

- Dust often using a clean, soft, dry lint-free cloth.
- Blot spills immediately, and wipe with a clean, damp, cloth.
- We do not recommend the use of chemical cleansers, abrasives, or furniture polish on our lacquered finish.

Thank you for your purchase
stores | catalog | www.potterybarnkids.com
USA 1.800.290.8181