

pottery barn kids

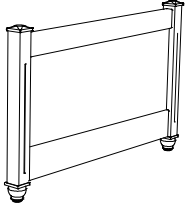

SAWYER SLEIGH BED TWIN/FULL

PRE-ASSEMBLY:

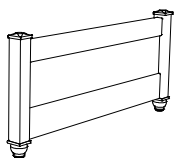
- For safety and ease, assembly by two adults is recommended.
- Remove all parts and hardware from the box and lay out on a clean, carpeted, or scratch-free work surface. Use care as some parts or hardware may have sharp points or edges. Do not dispose of any contents until assembly is completed to avoid accidentally discarding small parts or hardware.
- Use the parts and hardware lists to identify and separate each of the pieces included.
- Read all instructions before beginning assembly. The illustrations provided allow for easier assembly when used in conjunction with the assembly instructions.
- Note: Do not fully tighten all bolts until all parts are in place. Failure to follow these instructions may cause the bolts to misalign during assembly.
- The use of power tools for assembly is not recommended. Power tools can damage hardware or split wood.

PARTS INCLUDED:

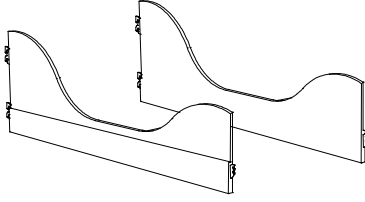
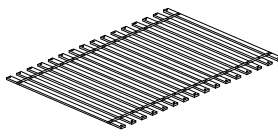
(Box #1)

A - Headboard (1pcs)	F - Finial (4 pcs)
	

Box #2)

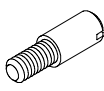

B - Footboard (1pcs)


(Box #3)

C,D - Side Rail (2 pcs)	E - Slat Roll (1 pcs)
	

HARDWARE ENCLOSED:

(Box #1)

G - Iron Dowel (2 pcs)	H - Wood Screw (32 pcs) 4x30 mm
	

TOOLS REQUIRED:

Phillips Head Screwdriver (Not included)

ASSEMBLY INSTRUCTIONS:

1. Choose the desired height of bed rail. Screw the Iron Dowel (G) into inserted nut on post of Footboard (B). Figure 1

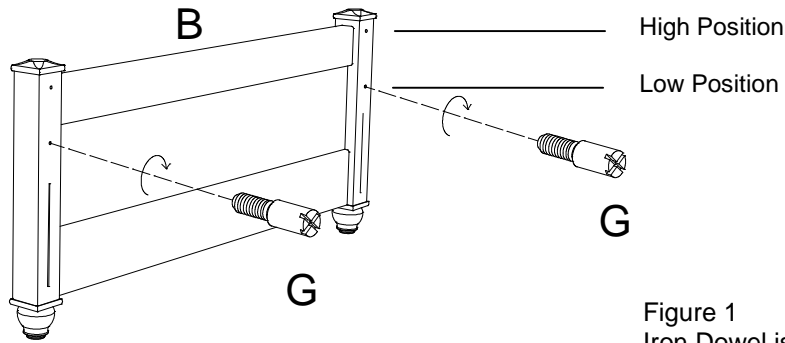


Figure 1
Iron Dowel is installed at low position

NOTE: Side Rails (C,D) are adjustable to two heights:

- Use the higher setting if not using a box spring mattress and/or if a trundle will be used with the bed.
- Use the lower setting if using a mattress & box spring. We recommend a box spring if you want to use a bed skirt/box spring cover or add height to the bed.
- Our beds do not require a box spring at either setting

2. Attach the Side Rails (C,D) to the Headboard (A) and Footboard (B) at chosen height by inserting the hooked ends into the corresponding slots, as shown in Figure 2. Ensure that the connections are secure. Figure 2

Figure 2

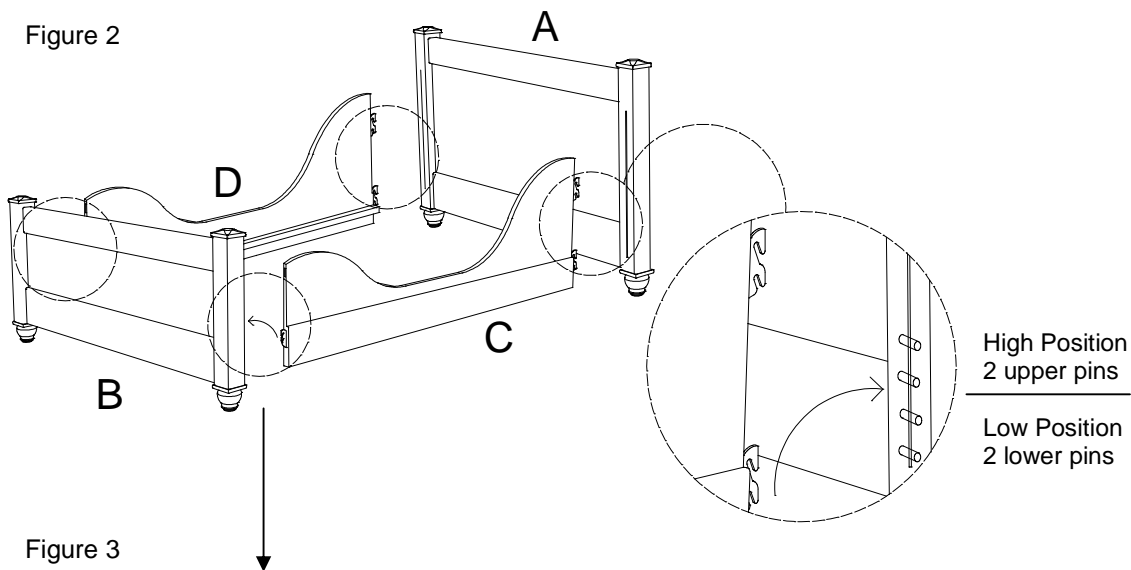
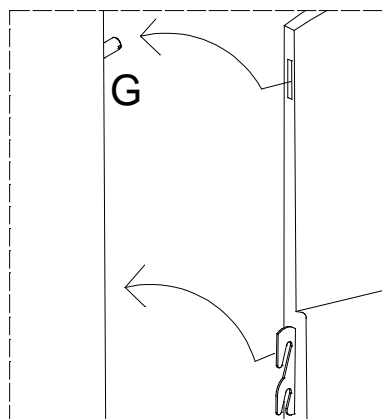


Figure 3

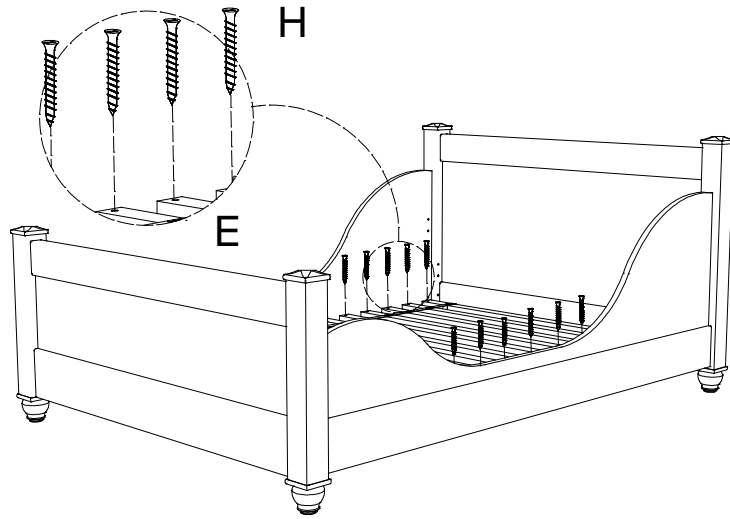


Note:

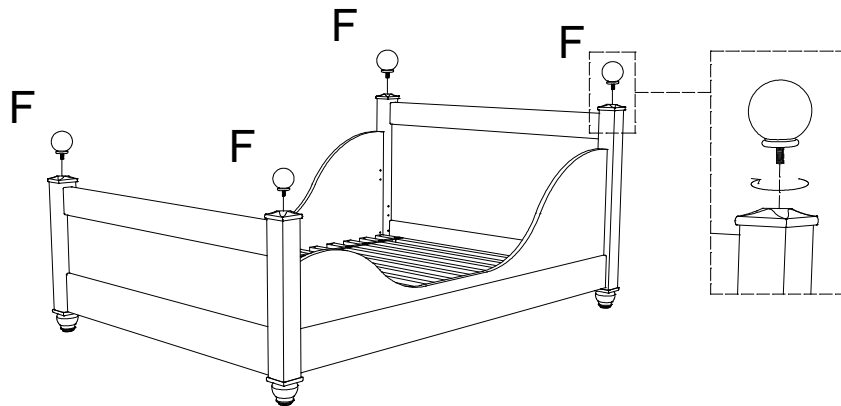
There is a slot on one end of Side Rail (C,D) where it is attached to Footboard (B)
Make sure the Iron Dowel (G) is inside this slot. This will help the rail not wavering. Figure 3

3. Lay Slat Roll (E) in place onto the inner edges of the Side Rails (C,D). Attach Slats Roll (E) by inserting the Wood Screws (H) through the pre-drilled end holes and tightening with Phillips Head Screwdriver (not included), as shown in Figure 4.

Figure 4



4. Insert the hanger bolt at bottom of Finial (F) on top of headboard and footboard's post. Turn clock wise to tighten.
Figure 5



5. Periodically tighten all connections.

CARE INSTRUCTIONS:

- Dust often using a clean, soft, dry lint-free cloth.
- Blot spills immediately, and wipe with a clean, damp, cloth.
- We do not recommend the use of chemical cleansers, abrasives or furniture polish.

Thank you for your purchase
stores | catalog | www.potterybarnkids.com
USA 1.800.290.8181